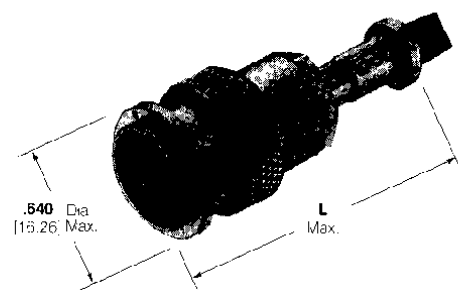


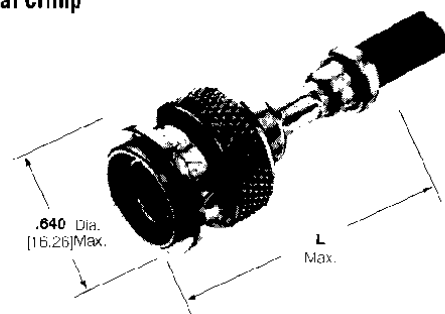
TNC Connectors, 50 Ohm

Plugs, Crimp

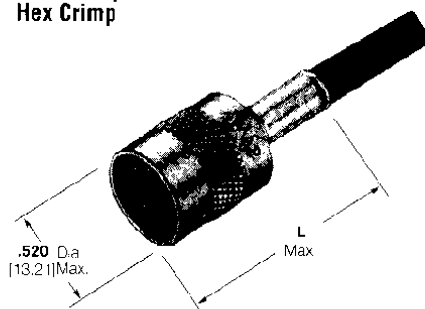
Single Crimp



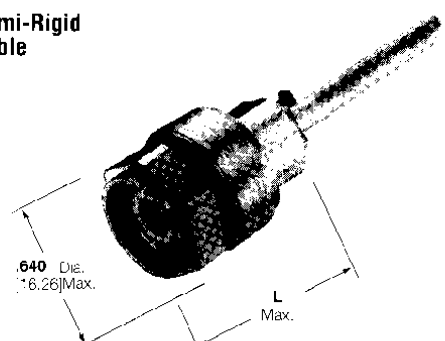
Mil Type Dual Crimp



Dual Crimp and Hex Crimp



Semi-Rigid Cable



Connector Cable Range Selection Code†	RG/U Cable	Termination Type	Center Contact Plating	Body Plating	Dielectric	Style	M39012/ Military No. and/or Comments	Part No.	Dim. L	CERTI-CRIMP Hand Tool with Integral Die	Interchangeable Dies for PRO-CRIMPER Hand Tool 354940-1 or PRO-CRIMPER Adapter 678304-1	Interchangeable Dies for Hand Tool 69710-1 & 626 Pneu. Head 318161-1
B	174, 188, 198A, 316	Hex Crimp	Gold	Nickel	Polypropylene	Commercial	—	222506-5	1.230 31.24	—	58465-3	—
		Dual Crimp	Gold	Nickel	Polypropylene	Commercial	—	5-227000-0	.910 23.11	220009-5	318450-2	—
B1	179, 179A, 179B, 181, 187, 187A, Bel'den 9221	Hex Crimp	Gold	Nickel	Polypropylene	Commercial	—	222506-6	1.230 31.24	—	58465-3	—
		Single Crimp	Gold	Silver	TEFLON	Mil Type	—	331103	1.435 36.45	68245-1	—	69408
B3	RD316, 138 Double Braid	Hex Crimp	Gold	Nickel	Polypropylene	Commercial	—	222506-9	1.230 31.24	—	58465-3	—
		Dual Crimp	Gold	Nickel	Polypropylene	Commercial	—	5-227000-1	.910 23.11	69477-4	58539-1	—
C1	130, 180A, 180B, 195, 195A	Hex Crimp	Gold	Nickel	Polypropylene	Commercial	—	222506-7	1.230 31.24	—	58465-3	—
D	58, 58A, 58B, 58C	Hex Crimp	Gold	Nickel	Polypropylene	Commercial	—	222506-1	1.230 31.25	—	58436-1	—
		Dual Crimp	Gold	Silver	TEFLON	Mil Type	268C005	225550-2	1.375 34.93	22C045-2	—	—
		Dual Crimp	Gold	Nickel	TEFLON	Mil Type	Weatherproof	225555-2	1.375 34.93	22C045-2	—	—
D, D1	58, 58A, 58B, 58C, 141, 141A, 303	Single Crimp	Gold	Silver	TEFLON	Mil Type	—	330953	1.600 40.64	69376-3	—	69815
		Dual Crimp	Gold	Nickel	Polypropylene	Commercial	—	227000-5	1.055 26.8	22C187-1	58435-1	22027-1
D1	141, 141A, 303	Dual Crimp	Gold	Nickel	TEFLON	Mil Type	Weatherproof	225555-5	1.375 34.93	22C045-2	—	—

†Refer to pages 14 and 15 for code specifications.

‡Order AMP PRO-CRIMPER Coaxial "O" Crimp Hand Tool assembly 58433-1, which includes dies 58435-1.

§Order AMP PRO-CRIMPER Coaxial Hex Crimp Hand Tool assembly 58433-2, which includes dies 58436-1.