

MCR-SL-PT100-U-DC-24

This product has been replaced by a newer version.

Order No.: 2814870

The illustration shows version MCR-SL-PT100-I-DC-24



<http://eshop.phoenixcontact.de/phoenix/treeViewClick.do?UID=2814870>

MCR temperature transducer, for Pt 100, 2-, 3- or 4-wire system, input -100 °C ... 600 °C, output signal 0 V ... 10 V

Commercial data	
Pack	1 pcs.
Customs tariff	85437090
Weight/Piece	0.1236 KG
Catalog page information	Page 279 (IF-2005)

Product notes

WEEE/RoHS-compliant since:
08/29/2006

<http://www.download.phoenixcontact.com>
Please note that the data given here has been taken from the online catalog. For comprehensive information and data, please refer to the user documentation. The General Terms and Conditions of Use apply to Internet downloads.

Technical data

Input data	
Sensor input current	< 1 mA

Temperature measuring range	-100 °C ... 600 °C (freely selectable in 5 K steps following the order key)
Connection method	2, 3, 4-wire

Output data

Output name	Voltage output
Configurable/programmable	Yes
Voltage output signal	0 V ... 10 V 0 V ... 5 V
Max. output voltage	18 V
Output voltage range with wire break	0 V ... 12.5 V (freely selectable via order key)
Output voltage range with overrange/underrange	0 V ... 12.5 V (freely selectable via order key)
Load/output load voltage output	$\geq 10 \text{ k}\Omega$

Power supply

Range of supply voltages	20 V DC ... 30 V DC
Max. current consumption	< 40 mA

Connection data

Type of connection	Pluggable screw connection
Conductor cross section solid min.	0.2 mm ²
Conductor cross section solid max.	2.5 mm ²
Conductor cross section stranded min.	0.2 mm ²
Conductor cross section stranded max.	2.5 mm ²
Conductor cross section AWG/kcmil min.	24
Conductor cross section AWG/kcmil max	14
Stripping length	8 mm
Screw thread	M3

General data

Width	12.5 mm
Height	99 mm
Depth	114.5 mm
Transmission error, max.	< 0.4 % (from measurement range $\Delta > 100 \text{ K}$) $\leq 0.6 \text{ %}$ (from measurement range $\Delta \leq 100 \text{ K}$)
Temperature coefficient, typical	0.05 %/K
Alignment zero	$\pm 5 \text{ %}$ (via keys)
Alignment span	$\pm 5 \text{ %}$ (via keys)

Step response (10-90%)	Approx. 500 ms (fast) Approx. 1500 ms (slow)
Ambient temperature (operation)	-20 °C ... 55 °C
Degree of protection	IP20
Electromagnetic compatibility	Conformance with EMC directive 89/336/EEC
Color	green
Housing material	Polyamide PA non-reinforced
Mounting position	Any

Certificates / Approvals

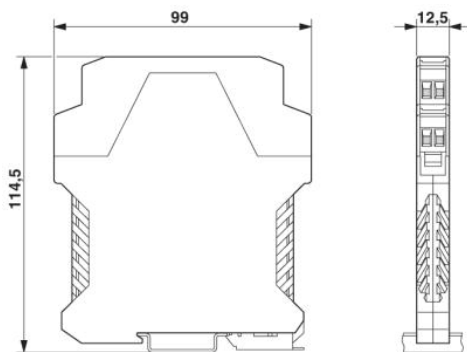


Certification

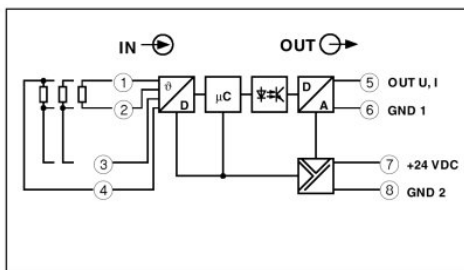
CUL, GOST, PRS, UL

Diagrams/Drawings

Dimensioned drawing



Circuit diagram



Address

PHOENIX CONTACT Deutschland GmbH
Flachsmarktstr. 8
32825 Blomberg, Germany
Phone +49 5235 3 12000
Fax +49 5235 3 41200
<http://www.phoenixcontact.de>



© 2010 Phoenix Contact
Technical modifications reserved;