

4 3 2 1

THIS DRAWING IS UNPUBLISHED. RELEASED FOR PUBLICATION
 © COPYRIGHT - BY TYCO ELECTRONICS CORPORATION. ALL RIGHTS RESERVED.
 onlinecomponents.com

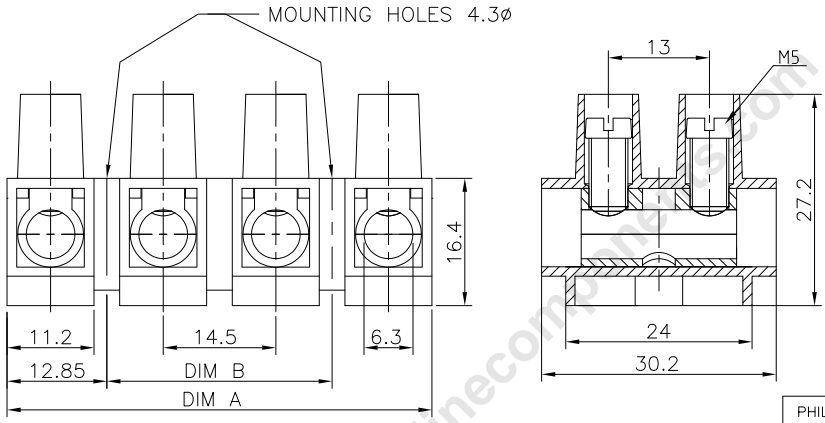
LOC	DIST	REVISIONS				
P	LTR	DESCRIPTION	DATE	DWN	APVD	
B		REVISED PER ECO-07-012966	6/4/07	SS	CR	

MATERIAL:
 HOUSING: POLYIMIDE 6 UL94V-2.
 COLOR: NATURAL (OFF WHITE).
 TUBULAR CONTACT: BRASS, TIN PLATED.
 SCREW: M5, STEEL, ZINC PLATED W/ NON-HEXAVALENT CHROMATE (CHROME III).

ELECTRICAL:
 CURRENT RATING: 65A, 600V.
 WIRE RANGE: 6-14 AWG.

CONTINUOUS WORKING TEMP.: 100°C MAX.

⚠ PRELIMINARY PART NUMBER.



SCREW TYPE	DIM B	DIM A	NO OF POS	T & B PART NUMBER	TYCO PART NUMBER
PHILLIPS HEAD	145.0	170.7	12	TSB200012K/12PM	2-1776892-2
PHILLIPS HEAD	72.5	98.2	7	TSB20007K/7PM	1-1776892-7
PHILLIPS HEAD	43.5	69.2	5	TSB20005K/5PM	1-1776892-5
SLOTTED HEAD	145.0	170.7	12	TSB200012K/12	1-1776892-2
SLOTTED HEAD	72.5	98.2	7	TSB20007K/7	1776892-7
SLOTTED HEAD	43.5	69.2	5	TSB20005K/5	1776892-5

THIS DRAWING IS A CONTROLLED DOCUMENT.		DWN S SCHLEGEL 9/25/06	Tyco Electronics Corporation Harrisburg, PA 17105-3608	
DIMENSIONS: mm		CHK C RICHARD 9/25/06	NAME 14.5MM PITCH, 65A HIGH VOLTAGE VERSION	
TOLERANCES UNLESS OTHERWISE SPECIFIED:		APVD C RICHARD 9/25/06	PRODUCT SPEC	
0 PLC ± -		APPLICATION SPEC		
1 PLC ± 0.3		SIZE A3		
2 PLC ± 0.25		CAGE CODE 00779		
3 PLC ± -		DRAWING NO C-1776892		
4 PLC ± -		RESTRICTED TO		
ANGLES ± 2°		WEIGHT		
MATERIAL FINISH		CUSTOMER DRAWING		
		SCALE NTS		SHEET 1 of 1 REV B