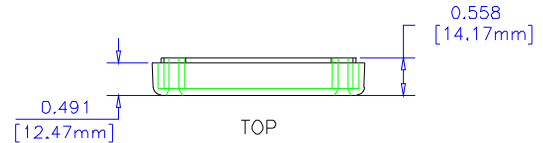
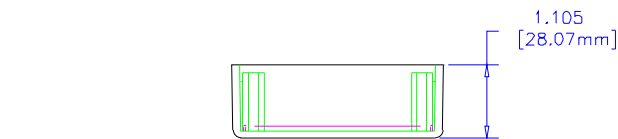
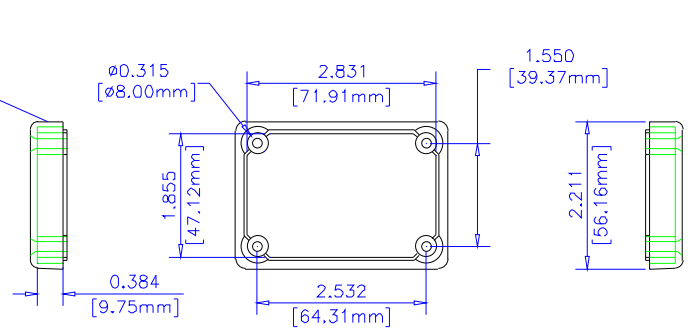
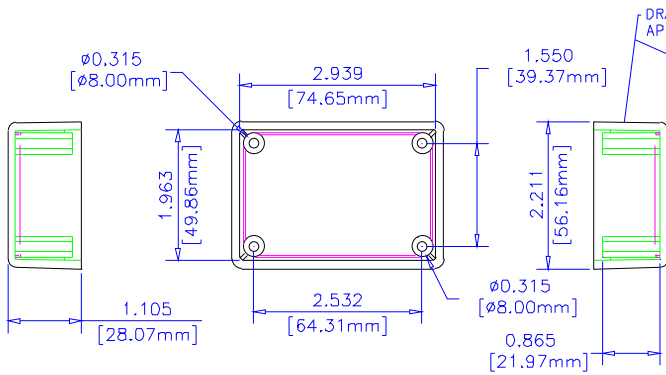
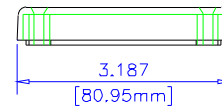
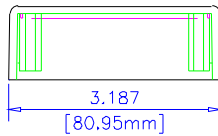


## NOTES

**MATERIAL** (ABS) FLAME RETARDANT UL94 V0 MATERIAL WITH BRASS INSERTS IN CORNER POSTS.  
(STYRENE) IS NON-FLAME RETARDANT WITHOUT BRASS INSERTS.

**PARTS** (ABS) VERSION MACHINE SCREWS M3-0.5 x 18mm.  
REPLACEMENT PN 1594MS100 (100 / BAG). ABS VERSION MACHINE SCREWS FOR THE WATER RESISTANT BOX  
REPLACEMENT PN 1594WMS100 (STYRENE) VERSION SELF TAPPING #4 x 1.0". REPLACEMENT PN 1594TS100 (100 / BAG).

**COLORS** (ABS) BLACK, GRAY (STYRENE) GRAY ONLY.



BOTTOM

TOP

UNLESS OTHERWISE SPECIFIED  
DIMENSIONS ARE IN INCHES

F	1/8
M	1/16
XX	1/32
XXX	1/64
FRPS	0.005
ANGLES	30 DEG.

PERMITTED DIMENSIONS ARE TO BE USED FOR THE PURPOSES OF THIS DRAWING. THIS DRAWING IS THE PROPERTY OF HAMMOND MANUFACTURING. NO PARTS OR INFORMATION FROM THIS DRAWING IS TO BE REPRODUCED OR TRANSMITTED IN ANY FORM OR BY ANY MEANS, ELECTRONIC OR MECHANICAL, INCLUDING PHOTOCOPYING, RECORDING, OR BY ANY INFORMATION STORAGE AND RETRIEVAL SYSTEM, WITHOUT PERMISSION FROM HAMMOND MANUFACTURING.



**HAMMOND  
MANUFACTURING**

WEB: [WWW.HAMMONDMFG.COM](http://WWW.HAMMONDMFG.COM)

TITLE HAMMOND 1594 SERIES  
PLASTIC ENCLOSURE

DESIGNED BY M.J.M. DATE 01/05/01

SCALE PAGE 1 OF 1

PART NUMBER 1594B