

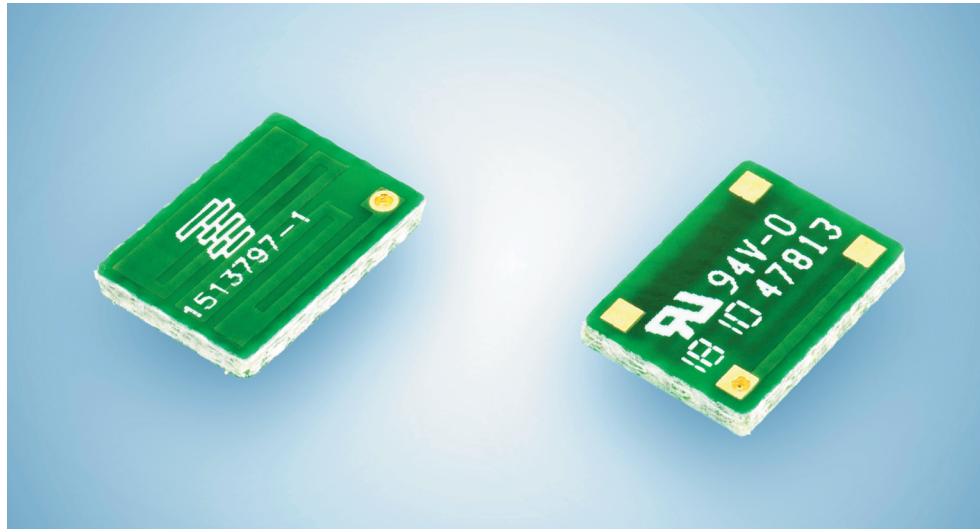
**2400 –2483.5 MHz Single Band Antenna**  
 (802.11 b/g, includes frequencies of Bluetooth, ZigBee, and Wi-Fi products)

**Part Number: 1513797-1**
**Product Facts**

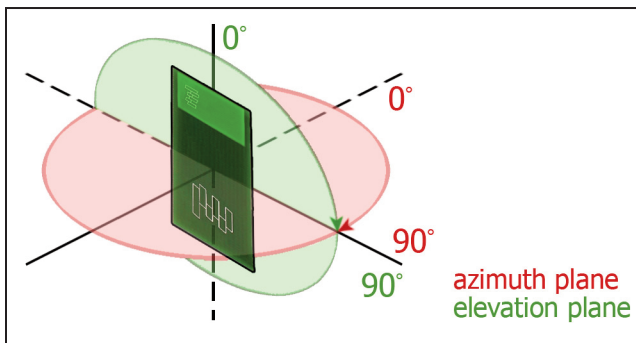
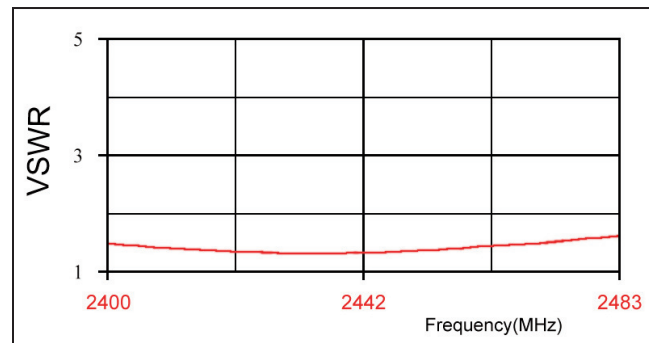
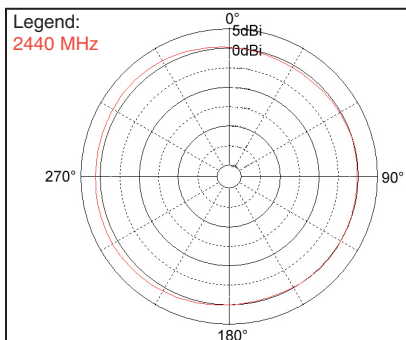
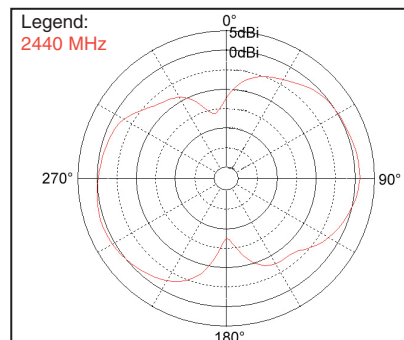
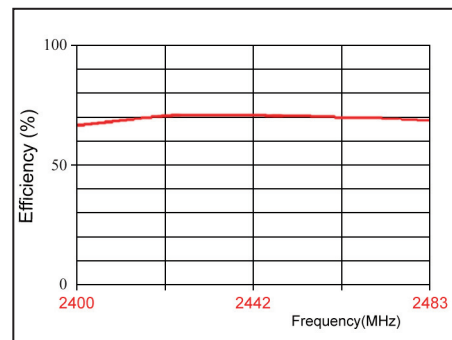
- This small embedded antenna provides the most reliable easy-to-use, adjustment-free antenna technology for handling during assembly and implementation by developers.
- Available in tape & reel.
- RoHS compliant

**Recommendations**

- Minimum or no matching circuits required.
- Bandwidth and performance is dependent on ground plane size. Suggested minimum ground plane length from the antenna feed is 30 mm.
- PCB ground is to be on top layer..


**Specifications**

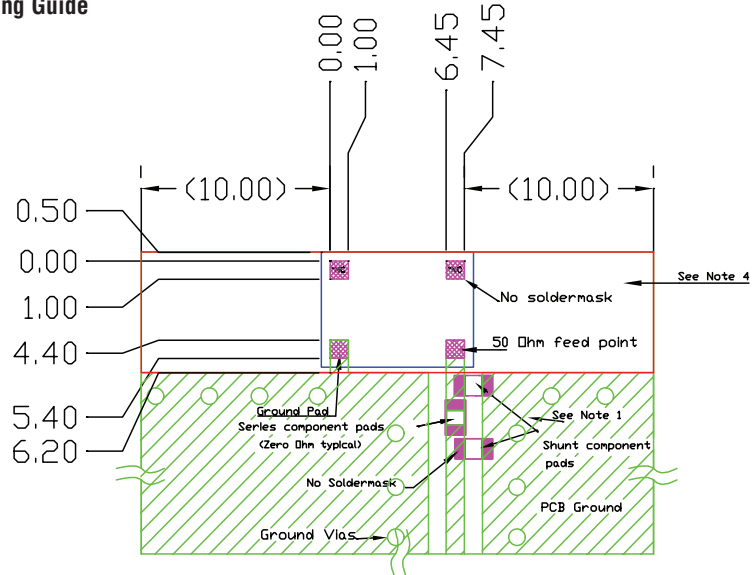
|                       |                                      |
|-----------------------|--------------------------------------|
| Frequency Range (MHz) | 2400 –2483.5                         |
| Peak Gain             | +1 dBi                               |
| VSWR                  | < 2.5:1                              |
| Polarization          | Linear                               |
| Power Handling        | 10 Watt cw                           |
| Feed Point Impedance  | 50 Ohms                              |
| Size                  | 8.45 mm x 6.40 mm x 0.79mm           |
| Weight                | < 0.2 g.                             |
| Mounting              | Surface-mount technology. See page 2 |
| Keep Out Area         | See diagram on page 2                |

**Test Orientation in Free Space**

**VSWR**

**Azimuth**

**Elevation**

**Efficiency**


**2400 –2483.5 MHz Single Band Antenna**  
(802.11 b/g, includes frequencies of Bluetooth, ZigBee, and Wi-Fi products)

**Part Number: 1513797-1**

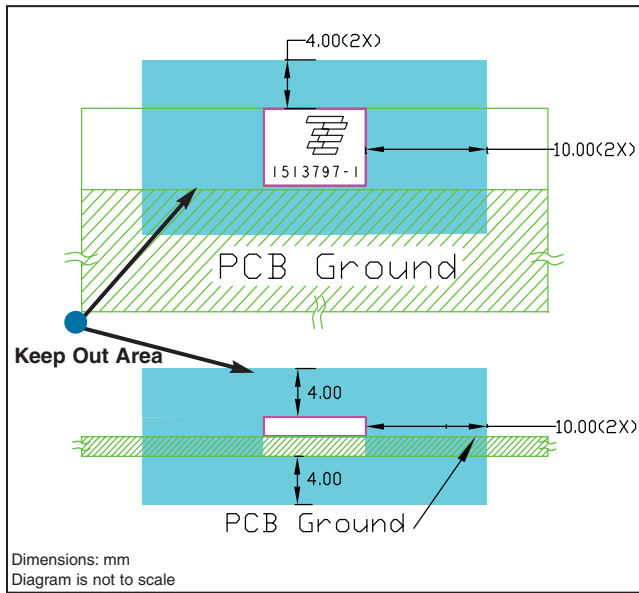
**Mounting Guide**



- NOTES:
1. Suggested matching component pads.
  2. Antenna must be mounted on the edge of PCB.
  3. NC = No connection (mechanical mounting pads).
  4. No copper allowed in designated area on all PCB layers –
  5. For more information please call TE.

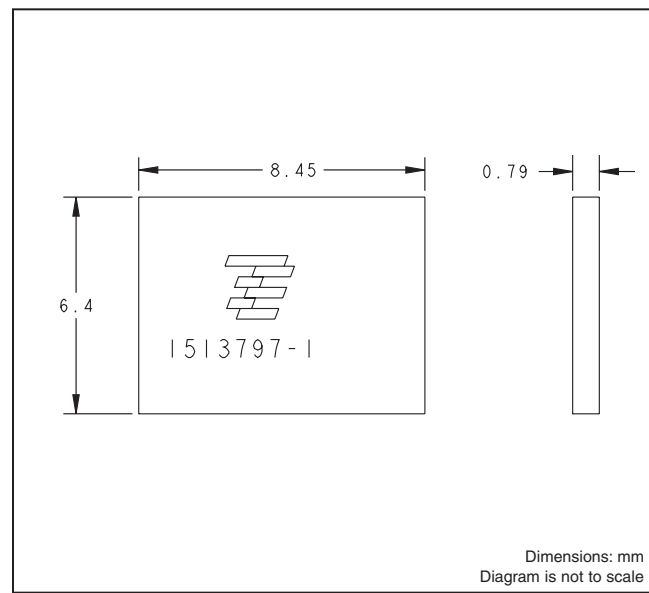
Dimensions: mm  
Diagram is not to scale

**Keep Out Area**



Dimensions: mm  
Diagram is not to scale

**Approx. Dimensions**



Dimensions: mm  
Diagram is not to scale

© 2011 Tyco Electronics Corporation. All Rights Reserved.

4-1773459-3-CIS-PDF-03-11

TE (logo) and TE Connectivity are trademarks of the TE Connectivity group of companies and its licensors.

Other logos, product and Company names mentioned herein may be trademarks of their respective owners.

ZigBee is a trademark of ZigBee Alliance.

Bluetooth is a trademark of Bluetooth SIG, Inc.

"Wi-Fi" is a trademark of Wi-Fi Alliance.

While TE has made every reasonable effort to ensure the accuracy of the information in this catalog, TE does not guarantee that it is error-free, nor does TE make any other representation, warranty or guarantee that the information is accurate, correct, reliable or current. TE reserves the right to make any adjustments to the information contained herein at any time without notice. TE expressly disclaims all implied warranties regarding the information contained herein, including, but not limited to, any implied warranties of merchantability or fitness for a particular purpose. The dimensions in this catalog are for reference purposes only and are subject to change without notice. Specifications are subject to change without notice.

Consult TE for the latest dimensions and design specifications.

9565 Soquel Drive  
Aptos, CA 95003  
(+ 831) 662-1174

<http://www.antenna.te.com>