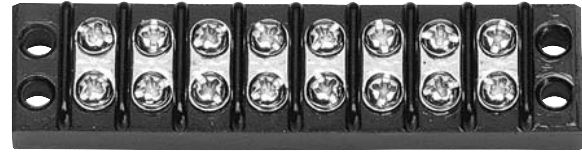


# Double Row Terminal Blocks

## Kulka® 410 GP Series

300 Volts\*



### Specifications:

- Base, Phenolic, 150° C
- Open Back Design (Insulator Strip Required for Voltage Rating)
- JJ (GDI-30F) Material Available
- Screws, #2-56 X 7/32 Binder Head, Phil-Slot
- Terminals, Plated Brass
- 1-23 Poles
- 1/4" Centers
- Wire Range With Wire Binding Screw #18-#20 AWG – 5 Amps
- The Suitability Of These Devices For Greater Currents Shall Be Determined In The End-Use Application
- UL Recognized File No. E47811
- CSA Certified File No. LR19766
- CE

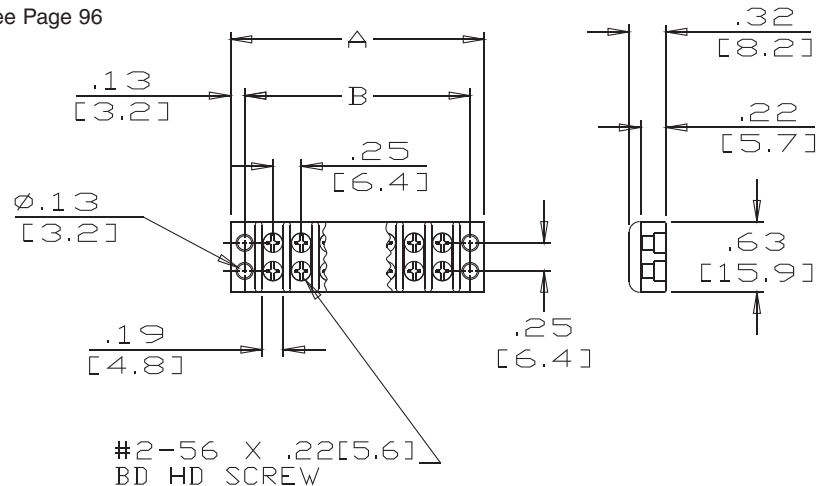
Catalog #	# of poles	Dimensions	
		A	B
410 GP 01	1	0.75	0.50
410 GP 02	2	1.00	0.75
410 GP 03	3	1.25	1.00
410 GP 04	4	1.50	1.25
410 GP 05	5	1.75	1.50
410 GP 06	6	2.00	1.75
410 GP 07	7	2.25	2.00
410 GP 08	8	2.50	2.25
410 GP 09	9	2.75	2.50
410 GP 10	10	3.00	2.75
410 GP 11	11	3.25	3.00
410 GP 12	12	3.50	3.25

Catalog #	# of poles	Dimensions	
		A	B
410 GP 13	13	3.75	3.50
410 GP 14	14	4.00	3.75
410 GP 15	15	4.25	4.00
410 GP 16	16	4.50	4.25
410 GP 17	17	4.75	4.50
410 GP 18	18	5.00	4.75
410 GP 19	19	5.25	5.00
410 GP 20	20	5.50	5.25
410 GP 21	21	5.75	5.50
410 GP 22	22	6.00	5.75
410 GP 23	23	6.25	6.00

\* Voltage Based on Class B Requirements  
MM = Dim X 25.4

### Hardware Options: (Hardware options may affect ratings - consult factory)

- J 410 = Line To Line Jumper See Page 96  
 Y = Feed Thru Solder (.312)  
 1921 = Printed Circuit Pin (.109)



Single/Double Row Terminal Blocks