

## Series 805 Mighty Mouse Triple-Start PCB or Solder Cup Receptacle Ordering Information

805-005 and 805-017



**Series 805 Jam Nut  
PCB Receptacle Connector**

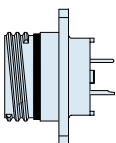
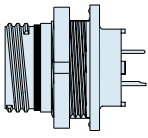
**Printed Circuit Board/Solder Cup Receptacles** feature low profile shells for minimum protrusion inside enclosures and integral standoffs for board washout. Contacts are non-removable.

### **Water Immersion, Unmated**

Specify **805-005** connectors for applications where open face water immersion is not a requirement. For MIL-STD-810 Method 512G immersion requirements, specify **805-017** watertight connectors. These 805-017 connectors are specially sealed ("MOD-518") and are 100% tested to maintain a helium leak rate of  $1 \times 10^{-4}$  cc/second at one atmosphere pressure differential from -40C to +70C.

### HOW TO ORDER

#### Sample Part Number

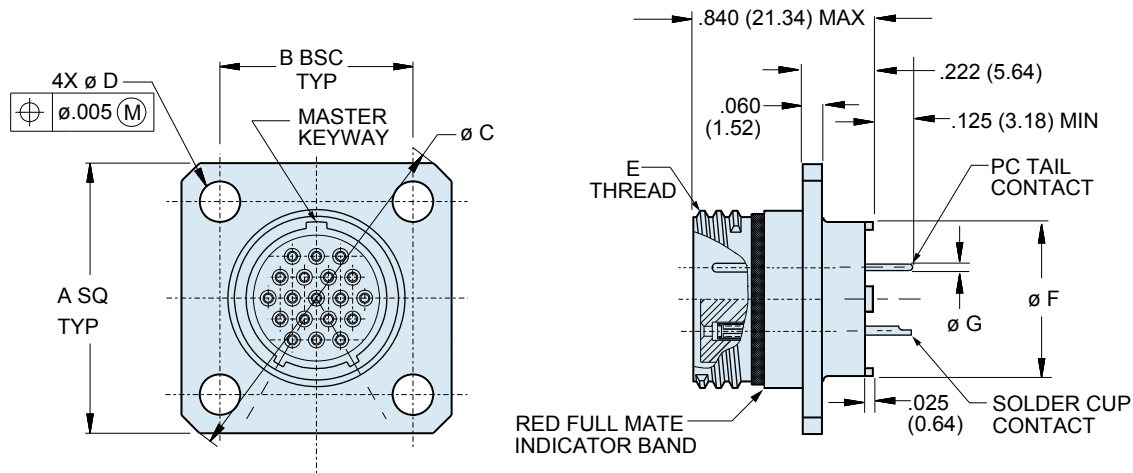
| 805-005  | -07   | M  | 10-13   | P  | B  |
|--|---|--|---|--|--|
| Series   | Shell Style   | Shell Material / Finish  | Shell Size- Insert Arrangement  | Contact Type   | Shell Key Position   |
| <p><b>805-005</b><br/>Receptacle for Solder Cup or PCB Termination, with Standard Epoxy Potting</p>  | <br><p style="text-align: center;"><b>-02</b><br/>Square Flange</p> | <p style="text-align: center;"><b>C</b><br/>Aluminum / Black Anodize<br/>(Non-Conductive)<br/>RoHS Compliant</p> <p style="text-align: center;"><b>M</b><br/>Aluminum / Electroless Nickel<br/>RoHS Compliant</p>  | <p style="text-align: center;">SEE<br/><b>CONTACT ARRANGEMENTS</b><br/>PAGE H-2</p> | <p style="text-align: center;"><b>P</b><br/>Pin,<br/>PC Tail</p> <p style="text-align: center;"><b>S</b><br/>Socket,<br/>PC Tail</p>       | <p style="text-align: center;"><b>A</b><br/>Position A<br/>(Normal)</p> <p style="text-align: center;"><b>B</b><br/>Position B</p> <p style="text-align: center;"><b>C</b><br/>Position C</p> <p style="text-align: center;"><b>D</b><br/>Position D</p> |
| <p><b>805-017</b><br/>Receptacle for Solder Cup or PCB Termination, With Special "MOD-518" Sealing For Open Face (unmated) Water Immersion Requirements. 100% Leak Tested.</p> | <br><p style="text-align: center;"><b>-07</b><br/>Jam Nut</p>      | <p style="text-align: center;"><b>NF</b><br/>Aluminum / Cadmium with Olive Drab Chromate</p> <p style="text-align: center;"><b>ZN</b><br/>Aluminum / Zinc-Nickel with Olive Drab Chromate</p> <p style="text-align: center;"><b>ZNU</b><br/>Aluminum / Zinc-Nickel with Black Chromate</p> <p style="text-align: center;"><b>MT</b><br/>Aluminum / Nickel-PTFE<br/>RoHS Compliant</p> <p style="text-align: center;"><b>Z1</b><br/>Stainless Steel / Passivated<br/>RoHS Compliant</p> |   | <p style="text-align: center;"><b>E</b><br/>Pin,<br/>Solder Cup</p> <p style="text-align: center;"><b>F</b><br/>Socket,<br/>Solder Cup</p> |  |

Dimensions in inches (millimeters) and are subject to change without notice.

**Series 805 Mighty Mouse Triple-Start  
PC Tail and Solder Cup Square Flange Receptacle**  
805-005-02, 805-017-02



Series 805



SQUARE FLANGE WITH PC TAIL  
OR SOLDER CUP CONTACTS  
805-005-02  
805-017-02

**DIMENSIONS**

| Shell Size | A     |       | B     |       | Ø C   |       | Ø D        |           | E Threads            | Ø F   |       | Ø G Tail Dia.         |
|------------|-------|-------|-------|-------|-------|-------|------------|-----------|----------------------|-------|-------|-----------------------|
|            | In.   | mm.   | In.   | mm.   | In.   | mm.   | In. ± .003 | mm. ± .08 |                      | In.   | mm.   |                       |
| <b>8</b>   | .850  | 21.59 | .660  | 16.76 | 1.150 | 29.21 | .094       | 2.39      | .5000-.1P-.3L-TS-2A  | .330  | 8.38  | <b>#23</b>            |
| <b>9</b>   | .913  | 23.19 | .723  | 18.36 | 1.230 | 31.24 | .094       | 2.39      | .5625-.1P-.3L-TS-2A  | .432  | 10.97 | .018/.022 (0.46/0.56) |
| <b>10</b>  | .975  | 24.77 | .785  | 19.94 | 1.330 | 33.78 | .094       | 2.39      | .6250-.1P-.3L-TS-2A  | .493  | 12.52 | <b>#20</b>            |
| <b>11</b>  | 1.039 | 26.39 | .848  | 21.54 | 1.410 | 35.81 | .094       | 2.39      | .6875-.1P-.3L-TS-2A  | .551  | 14.00 | .024/.028 (0.61/0.71) |
| <b>12</b>  | 1.099 | 27.91 | .909  | 23.09 | 1.500 | 38.10 | .094       | 2.39      | .7500-.1P-.3L-TS-2A  | .620  | 15.78 | <b>#16</b>            |
| <b>15</b>  | 1.288 | 32.74 | 1.058 | 26.87 | 1.750 | 44.45 | .128       | 3.25      | .9375-.1P-.3L-TS-2A  | .703  | 17.86 | .060/.064 (1.52/1.63) |
| <b>18</b>  | 1.475 | 37.47 | 1.255 | 31.88 | 2.000 | 50.80 | .128       | 3.25      | 1.1250-.1P-.3L-TS-2A | .863  | 21.92 | <b>#12</b>            |
| <b>19</b>  | 1.537 | 71.06 | 1.327 | 33.71 | 2.094 | 53.19 | .128       | 3.25      | 1.1875-.1P-.3L-TS-2A | .912  | 23.16 | .092/.096 (2.34/2.44) |
| <b>23</b>  | 1.787 | 45.39 | 1.570 | 39.88 | 2.440 | 61.98 | .128       | 3.25      | 1.4375-.1P-.3L-TS-2A | 1.162 | 29.51 |                       |

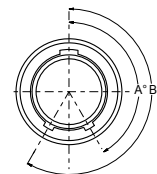
**PERFORMANCE SPECIFICATIONS**

|                       |  |
|-----------------------|--|
| DWV                   | #23 500 VAC Sea level, #20HD 750 VAC, #12 AND #16 1800 VAC |
| Insulation Resistance | 5000 Megohms Minimum                                       |
| Operating Temperature | -55° C. to +150° C.  |
| Immersion, Mated      | MIL-STD-810 Method 512. One Meter for One Hour.            |
| EMI                   | 65 dB Minimum from 1 GHz. to 10 GHz.                       |

**MATERIALS AND FINISHES**

|                       |  |
|-----------------------|--|
| Connector Shell       | Aluminum or Stainless Steel            |
| Insulator             | Liquid Crystal Polymer (LCP)           |
| Seals                 | Fluorosilicone Rubber, Blue            |
| Contact               | Copper Alloy, Gold over Nickel Plating |
| Contact Retainer Clip | Beryllium Copper, Unplated             |

**SERIES 805 KEY POSITIONS**



| Key Position | Key Rotation |      |
|--------------|--------------|------|
|              | A            | B    |
| Normal (A)   | 150°         | 210° |
| B            | 75°          | 210° |
| C            | 95°          | 230° |
| D            | 140°         | 275° |

Dimensions in inches (millimeters) and are subject to change without notice.

© 2010 Glenair, Inc.

CAGE Code 06324

Printed in U.S.A.

**GLENAIR, INC. • 1211 AIR WAY • GLENDALE, CA 91201-2497 • 818-247-6000 • FAX 818-500-9912**

www.glenair.com

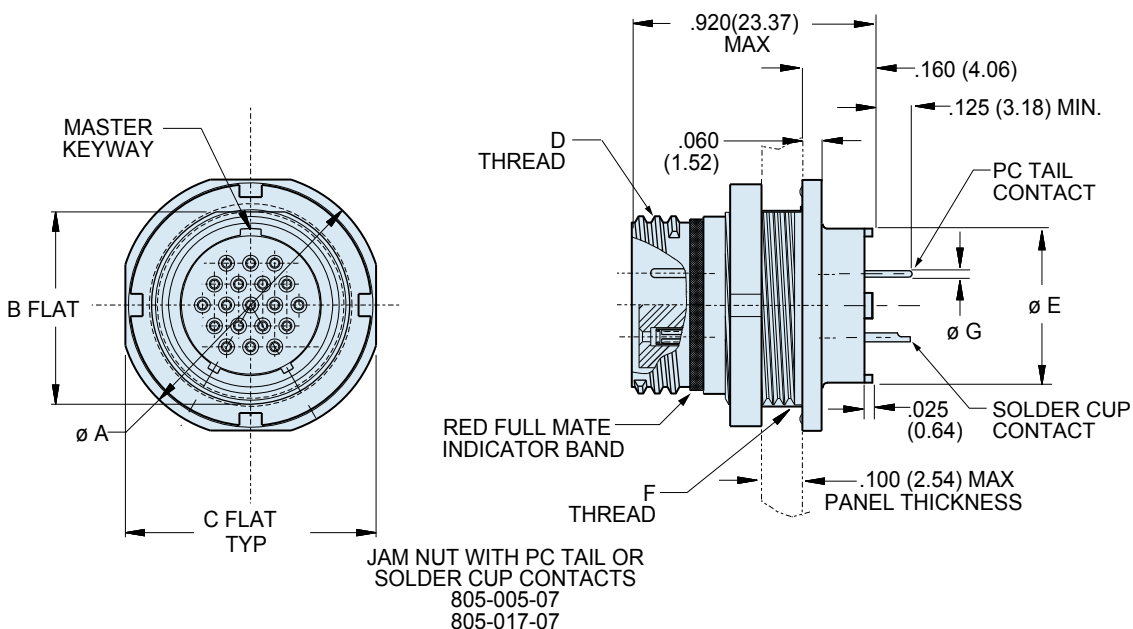
**H-13**

E-Mail: sales@glenair.com

01-JANUARY-2010



**Series 805 Mighty Mouse Triple-Start  
PC Tail and Solder Cup Jam Nut Receptacle**  
805-005-07, 805-017-07



**DIMENSIONS**

| Shell Size | Ø A   |       | B     |       | C     |       | D Threads          | Ø E   |       | F Threads        | Ø G Tail Dia.         |
|------------|-------|-------|-------|-------|-------|-------|--------------------|-------|-------|------------------|-----------------------|
|            | In.   | mm.   | In.   | mm.   | In.   | mm.   |                    | In.   | mm.   |                  |                       |
| 8          | .760  | 19.30 | .535  | 13.59 | .730  | 18.54 | .5000-1P-3L-TS-2A  | .330  | 8.38  | .5625-28 UNEF-2A | #23                   |
| 9          | .880  | 22.35 | .661  | 16.79 | .850  | 21.59 | .5625-1P-3L-TS-2A  | .432  | 10.97 | .6875-28 UN-2A   | .018/.022 (0.46/0.56) |
| 10         | .880  | 22.35 | .661  | 16.79 | .850  | 21.59 | .6250-1P-3L-TS-2A  | .493  | 12.52 | .6875-28 UN-2A   | #20                   |
| 11         | .955  | 24.26 | .721  | 18.31 | .925  | 23.50 | .6875-1P-3L-TS-2A  | .551  | 14.00 | .7500-28 UN-2A   | .024/.028 (0.61/0.71) |
| 12         | 1.060 | 26.92 | .784  | 19.91 | 1.035 | 26.29 | .7500-1P-3L-TS-2A  | .620  | 15.78 | .8125-28 UN-2A   | #16                   |
| 15         | 1.203 | 30.56 | .970  | 24.64 | 1.173 | 29.79 | .9375-1P-3L-TS-2A  | .703  | 17.86 | 1.0000-28 UN-2A  | .060/.064 (1.52/1.63) |
| 18         | 1.389 | 35.28 | 1.147 | 29.13 | 1.359 | 34.52 | 1.1250-1P-3L-TS-2A | .863  | 21.92 | 1.1875-28 UN-2A  | #12                   |
| 19         | 1.450 | 36.83 | 1.221 | 31.01 | 1.420 | 36.07 | 1.1875-1P-3L-TS-2A | .912  | 23.16 | 1.2500-28 UN-2A  |                       |
| 23         | 1.705 | 43.31 | 1.470 | 37.34 | 1.675 | 42.55 | 1.4375-1P-3L-TS-2A | 1.162 | 29.51 | 1.500-25 UN-2A   | .092/.096 (2.34/2.44) |

**PANEL CUTOUT FOR JAM NUT RECEPTACLE**

| Shell Size | A Flat     |            | Ø B        |            |
|------------|------------|------------|------------|------------|
|            | In. ± .002 | mm. ± 0.05 | In. ± .005 | mm. ± 0.13 |
| 8          | .543       | 13.79      | .572       | 14.53      |
| 9          | .669       | 16.99      | .698       | 17.73      |
| 10         | .669       | 16.99      | .698       | 17.73      |
| 11         | .729       | 18.51      | .760       | 19.30      |
| 12         | .792       | 20.17      | .822       | 20.88      |
| 15         | .978       | 24.84      | 1.010      | 25.65      |
| 18         | 1.155      | 29.34      | 1.198      | 30.43      |
| 19         | 1.229      | 31.22      | 1.260      | 32.00      |
| 23         | 1.480      | 37.59      | 1.510      | 38.35      |

**SERIES 805 KEY POSITIONS**

| Key Position | Key Rotation |      |
|--------------|--------------|------|
|              | A            | B    |
| Normal (A)   | 150°         | 210° |
| B            | 75°          | 210° |
| C            | 95°          | 230° |
| D            | 140°         | 275° |

Dimensions in inches (millimeters) and are subject to change without notice.

© 2010 Glenair, Inc.

CAGE Code 06324

Printed in U.S.A.

**GLENAIR, INC. • 1211 AIR WAY • GLENDALE, CA 91201-2497 • 818-247-6000 • FAX 818-500-9912**

www.glenair.com

**H-14**

E-Mail: sales@glenair.com

01-JANUARY-2010