

**RC-120-230UC**

Order No.: 2833767

<http://eshop.phoenixcontact.de/phoenix/treeViewClick.do?UID=2833767>

Plug-in module, for mounting on PR1 and PR2, with RC element, input  
voltage: 120 - 230 V AC/DC  $\pm$  20%

Commercial data	
GTIN (EAN)	4017918933951
sales group	G381
Pack	10 pcs.
Customs tariff	85366990
Weight/Piece	0.00249 KG
Catalog page information	Page 66 (IF-2009)

## Product notes

WEEE/RoHS-compliant since:  
01/21/2009

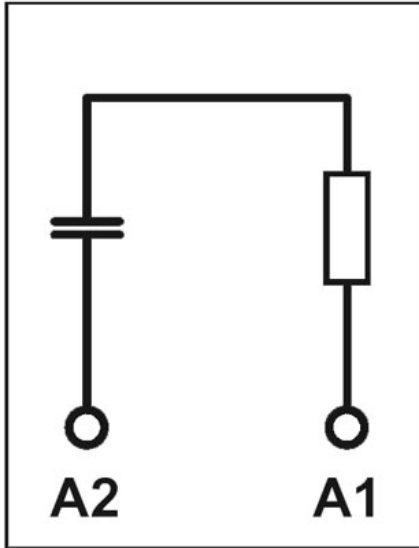


[http://  
www.download.phoenixcontact.com](http://www.download.phoenixcontact.com)  
Please note that the data given  
here has been taken from the  
online catalog. For comprehensive  
information and data, please refer  
to the user documentation. The  
General Terms and Conditions of  
Use apply to Internet downloads.

**Diagrams/Drawings**

Circuit diagram

---



**Address**

PHOENIX CONTACT Inc., USA  
586 Fulling Mill Road  
Middletown, PA 17057, USA  
Phone (800) 888-7388  
Fax (717) 944-1625  
<http://www.phoenixcon.com>



© 2010 Phoenix Contact  
Technical modifications reserved;