


LV-120-230AC/110DC

Order No.: 2833738

<http://eshop.phoenixcontact.de/phoenix/treeViewClick.do?UID=2833738>

Plug-in module, for mounting on PR1 and PR2, with varistor and yellow LED, input voltage: 120 - 230 V AC/110 V DC \pm 20%

| Commercial data | |
|--------------------------|--|
| GTIN (EAN) |  4 017918 933920 |
| sales group | G381 |
| Pack | 10 pcs. |
| Customs tariff | 85366990 |
| Catalog page information | Page 66 (IF-2009) |

Product notes

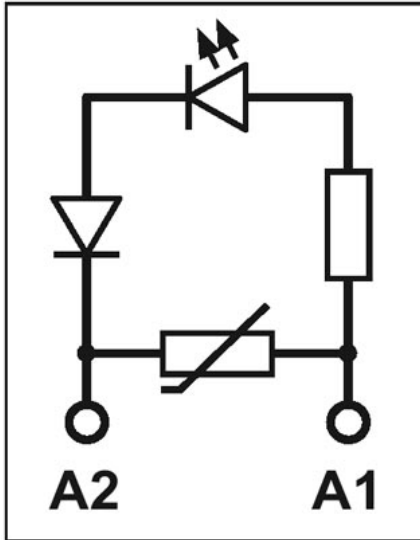
WEEE/RoHS-compliant since:
08/06/2008



<http://www.download.phoenixcontact.com>
Please note that the data given here has been taken from the online catalog. For comprehensive information and data, please refer to the user documentation. The General Terms and Conditions of Use apply to Internet downloads.

Diagrams/Drawings

Circuit diagram



Address

PHOENIX CONTACT Inc., USA
586 Fulling Mill Road
Middletown, PA 17057, USA
Phone (800) 888-7388
Fax (717) 944-1625
<http://www.phoenixcon.com>



© 2010 Phoenix Contact
Technical modifications reserved;