


REL-OR-230AC/3X21

Order No.: 2834300




<http://eshop.phoenixcontact.de/phoenix/treeViewClick.do?UID=2834300>

Pluggable octal relay with power contacts, 3 PDT, test button, mechanical switching position indication, coil voltage 230 V AC

Commercial data	
GTIN (EAN)	 4 017918 941895
Note	Made-to-order
sales group	G082
Pack	10 pcs.
Customs tariff	85364900
Catalog page information	Page 70 (IF-2011)

Product notes

WEEE/RoHS-compliant since:
09/07/2006



<http://www.download.phoenixcontact.com>
Please note that the data given here has been taken from the online catalog. For comprehensive information and data, please refer to the user documentation. The General Terms and Conditions of Use apply to Internet downloads.

Technical data

Coil side	
Nominal input voltage U_N	230 V AC
Nominal input current at U_{IN}	10 mA (at 50 Hz)
	11 mA (At 60 Hz)
Typical response time	5 ms ... 20 ms (AC, depending on phase relation)

Typical release time range	5 ms ... 20 ms (AC, depending on phase relation)
Coil resistance	6170 Ω +/-15% (at 20°C)

Contact side

Contact type	Single contact, three PDTs
Contact material	AgSnIn
Maximum switching voltage	250 V AC/DC
Minimum switching voltage	1 V
Maximum inrush current	(on request)
Min. switching current	10 mA
Limiting continuous current	10 A (N/O contact) 5 A (N/C contact)
Interrupting rating (ohmic load) max.	2500 VA (for 250 V AC)

General data

Width	34.5 mm
Height	34.5 mm
Depth	52.5 mm
Test voltage relay winding/relay contact	2.5 kV AC (50 Hz, 1 min.)
Test voltage relay contact/relay contact	2.5 kV AC (50 Hz, 1 min.)
Ambient temperature (operation)	-40 °C ... 60 °C
Ambient temperature (storage/transport)	-40 °C ... 60 °C
Operating mode	100% operating factor
Mechanical service life	10 x 10 ⁶ cycles
Standards/regulations	IEC 60664
Pollution degree	3
Surge voltage category	II
Mounting position	Any
Assembly instructions	On relay base PR3

Connection data

Connection method	Plug connection
-------------------	-----------------

Certificates / Approvals



Certification

CUL, TUEV-RH, UL

Additional products

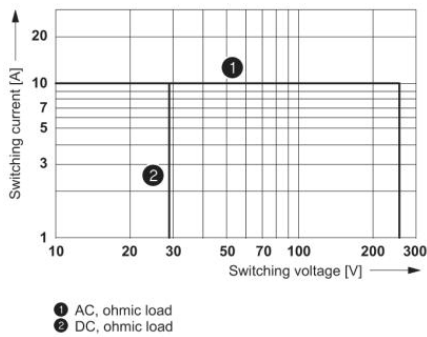
Item	Designation	Description
------	-------------	-------------

General

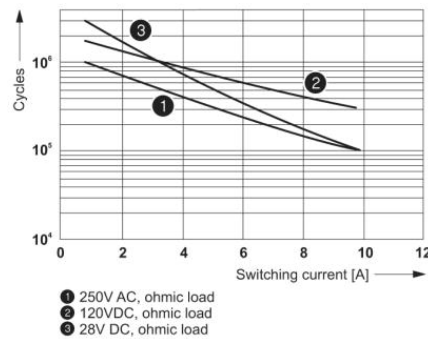
2833615	PR3-BSC1/3X21	Relay socket PR3..., for octal relay REL-OR with 3 PDT, screw connections, connection facility for input/interference suppression modules, for mounting on NS 35/7.5
---------	---------------	--

Diagrams/Drawings

Diagram

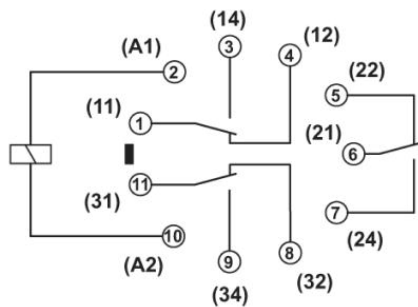


Interrupting rating



Electrical service life

Circuit diagram



Address

PHOENIX CONTACT Inc., USA
586 Fulling Mill Road
Middletown, PA 17057, USA
Phone (800) 888-7388
Fax (717) 944-1625
<http://www.phoenixcon.com>



© 2011 Phoenix Contact
Technical modifications reserved;