

## PI-EX-MB/16/D-SUB

Order No.: 2835383



<http://eshop.phoenixcontact.de/phoenix/treeViewClick.do?UID=2835383>

Ex motherboard, intrinsically safe, for accommodating 16 PI/Ex-... process interface modules, for assembly on NS 35/7.5 or NS 32

### Commercial data

|                          |                    |
|--------------------------|--------------------|
| EAN                      | 4017918180133      |
| Pack                     | 1 Pcs.             |
| Customs tariff           | 85389091           |
| Weight/Piece             | 0.8046 KG          |
| Catalog page information | Page 392 (IF-2007) |

<http://www.download.phoenixcontact.com>  
Please note that the data given here has been taken from the online catalog. For comprehensive information and data, please refer to the user documentation. The General Terms and Conditions of Use apply to Internet downloads.

### Technical data

#### General data

|                                     |   |
|-------------------------------------|---|
| Nom. voltage                        | 20 V DC ... 35 V DC (See nominal voltage, PI modules) |
| Length                              | 127.5 mm  |
| Width                               | 224 mm  |
| Height                              | 82.6 mm   |
| Height with coupling plug NS 32     | 147.5 mm  |
| Height with coupling plug NS 35/7,5 | 142.5 mm  |
| Height with coupling plug NS 35/15  | 150 mm  |
| Housing insulation material         | Polyamide PA non-reinforced, polycarbonate PC, PVC    |
| Inflammability class acc. to UL 94  | V0 / V2   |
| Color                               | green   |

|                                 |  |
|---------------------------------|--|
| Conformity                      | CE compliant   |
| ATEX approval                   | <input type="checkbox"/> II (1)GD, [EEx ia] IIC, KEMA 99 ATEX 7296 |
| Ambient temperature (operation) | -20 °C ... 60 °C   |

#### Connection data

|  |   |
|--|---|
| Connection 1                           | To the control system level   |
| Type of connection                     | 37-pos. D-SUB pin strip (DIN 41652 / IEC 807-2); max. perm. current = 1 A (125 V AC/DC) |
| Conductor cross section stranded min.  | 0.2 mm <sup>2</sup>   |
| Conductor cross section stranded max.  | 2.5 mm <sup>2</sup>   |
| Conductor cross section solid min.     | 0.2 mm <sup>2</sup>   |
| Conductor cross section solid max.     | 4 mm <sup>2</sup>   |
| Conductor cross section AWG/kcmil min. | 24  |
| Conductor cross section AWG/kcmil max  | 12  |
| Screw thread                           | M 3   |
| Stripping length                       | 8 mm  |
| Connection 2                           | To the field level  |
| Type of connection                     | Screw connection  |
| Conductor cross section stranded min.  | 0.2 mm <sup>2</sup>   |
| Conductor cross section stranded max.  | 2.5 mm <sup>2</sup>   |
| Conductor cross section solid min.     | 0.2 mm <sup>2</sup>   |
| Conductor cross section solid max.     | 4 mm <sup>2</sup>   |
| Conductor cross section AWG/kcmil min. | 24  |
| Conductor cross section AWG/kcmil max  | 12  |
| Screw thread                           | M 3   |
| Stripping length                       | 8 mm  |
| Tightening torque, min                 | 0.5 Nm  |
| Tightening torque max                  | 0.6 Nm  |

#### Certificates / Approvals

Approval logo

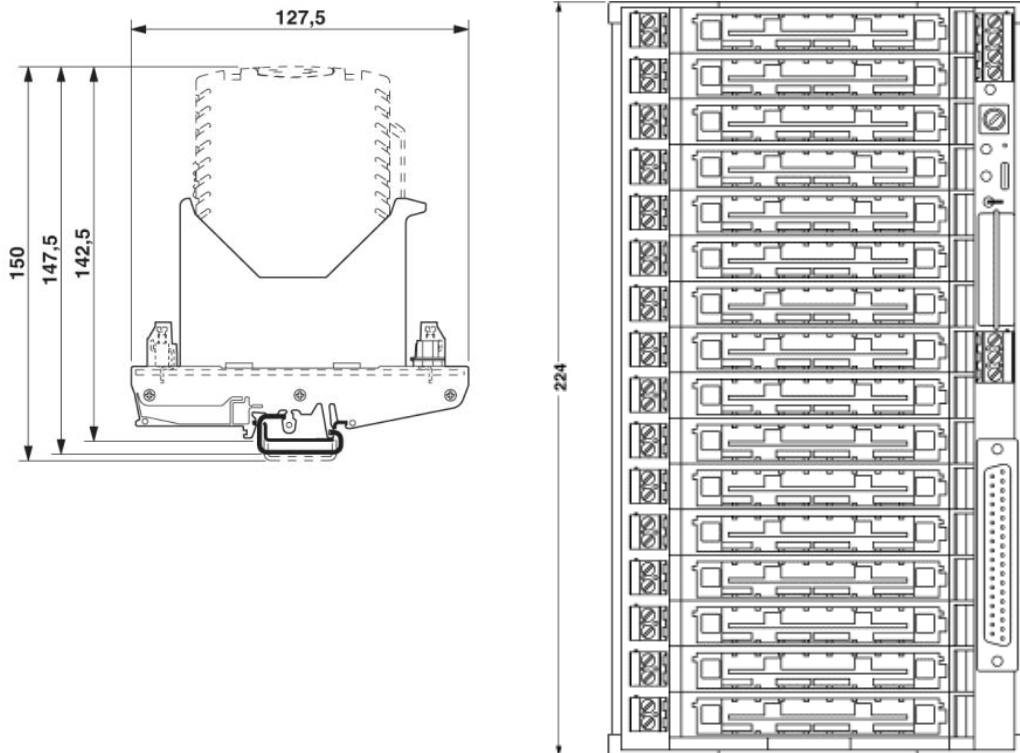


**requested approbations**

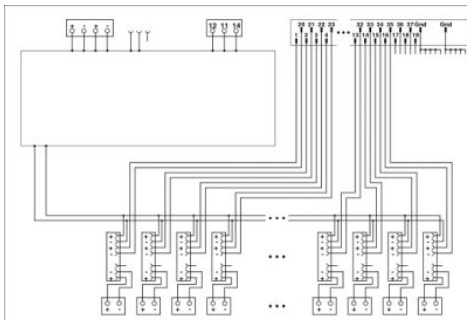
|                   |                        |
|-------------------|------------------------|
| Certification     | CUL, GOST, UL          |
| Certification Ex: | CUL-EX, KEMA-EX, UL-EX |

**Drawings**

Dimensioned drawing



Circuit diagram



**Address**

PHOENIX CONTACT GmbH & Co. KG  
Flachsmarktstr. 8  
32825 Blomberg, Germany  
Phone +49 5235 3 00  
Fax +49 5235 3 41200  
<http://www.phoenixcontact.de>



© 2008 Phoenix Contact  
Technical modifications reserved;