

PI-EX-MB/16/3/D-SUB

Order No.: 2835587



<http://eshop.phoenixcontact.de/phoenix/treeViewClick.do?UID=2835587>

Ex-i motherboard to accept 16 x PI-Ex-i isolator modules (PI-Ex-...), three terminal points for the field side for every module, 37-pos. D-SUB pin strip for connection of the signals to the control system level, assembly on NS 32, or NS 35/7,5.



<http://www.download.phoenixcontact.com>
Please note that the data given here has been taken from the online catalog. For comprehensive information and data, please refer to the user documentation. The General Terms and Conditions of Use apply to Internet downloads.

Commercial data

EAN	4017918951153
Pack	1 Pcs.
Customs tariff	85389091
Weight/Piece	0.9174 KG
Catalog page information	Page 392 (IF-2007)

Technical data

General data

Nom. voltage	20 V DC ... 35 V DC (See nominal voltage, PI modules)
Length	127.5 mm
Width	247.7 mm
Height with coupling plug NS 32	147.5 mm
Height with coupling plug NS 35/7,5	142.5 mm
Height with coupling plug NS 35/15	150 mm
Housing insulation material	Polyamide PA non-reinforced, polycarbonate PC, PVC
Inflammability class acc. to UL 94	V0 / V2
Color	green

Conformity	CE compliant
ATEX approval	□ II (1)GD, [Ex ia] IIC, KEMA 99 ATEX 7296
Ambient temperature (operation)	-20 °C ... 60 °C

Connection data

Connection 1	To the control system level
Type of connection	37-pos. D-SUB pin strip (DIN 41652 / IEC 807-2); max. perm. current = 1 A (125 V AC/DC)
Conductor cross section stranded min.	0.2 mm ²
Conductor cross section stranded max.	2.5 mm ²
Conductor cross section solid min.	0.2 mm ²
Conductor cross section solid max.	4 mm ²
Conductor cross section AWG/kcmil min.	24
Conductor cross section AWG/kcmil max	12
Screw thread	M 3
Stripping length	8 mm
Connection 2	To the field level
Type of connection	Screw connection
Conductor cross section stranded min.	0.2 mm ²
Conductor cross section stranded max.	2.5 mm ²
Conductor cross section solid min.	0.2 mm ²
Conductor cross section solid max.	4 mm ²
Conductor cross section AWG/kcmil min.	24
Conductor cross section AWG/kcmil max	12
Screw thread	M 3
Stripping length	8 mm
Tightening torque, min	0.5 Nm
Tightening torque max	0.6 Nm

Certificates / Approvals

Approval logo

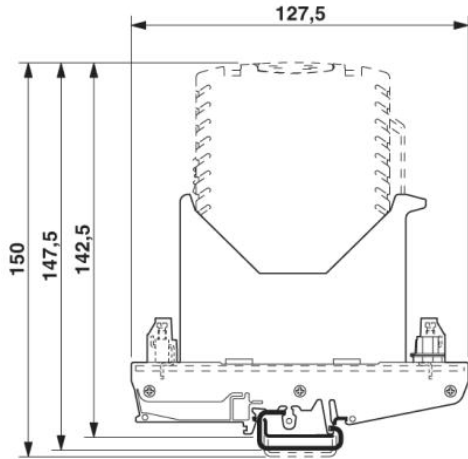


requested approbations

Certification	CUL, UL
Certification Ex:	CUL-EX, KEMA-EX, UL-EX

Drawings

Dimensioned drawing



Address

PHOENIX CONTACT GmbH & Co. KG
Flachsmarktstr. 8
32825 Blomberg, Germany
Phone +49 5235 3 00
Fax +49 5235 3 41200
<http://www.phoenixcontact.de>



© 2008 Phoenix Contact
Technical modifications reserved;