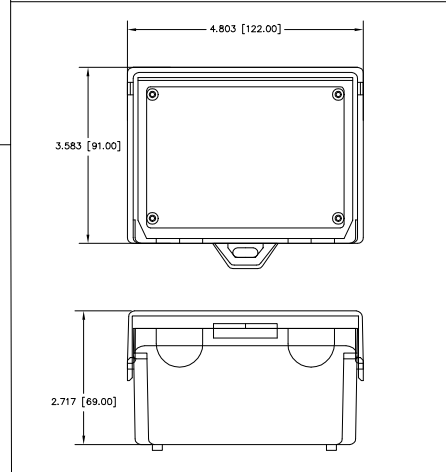
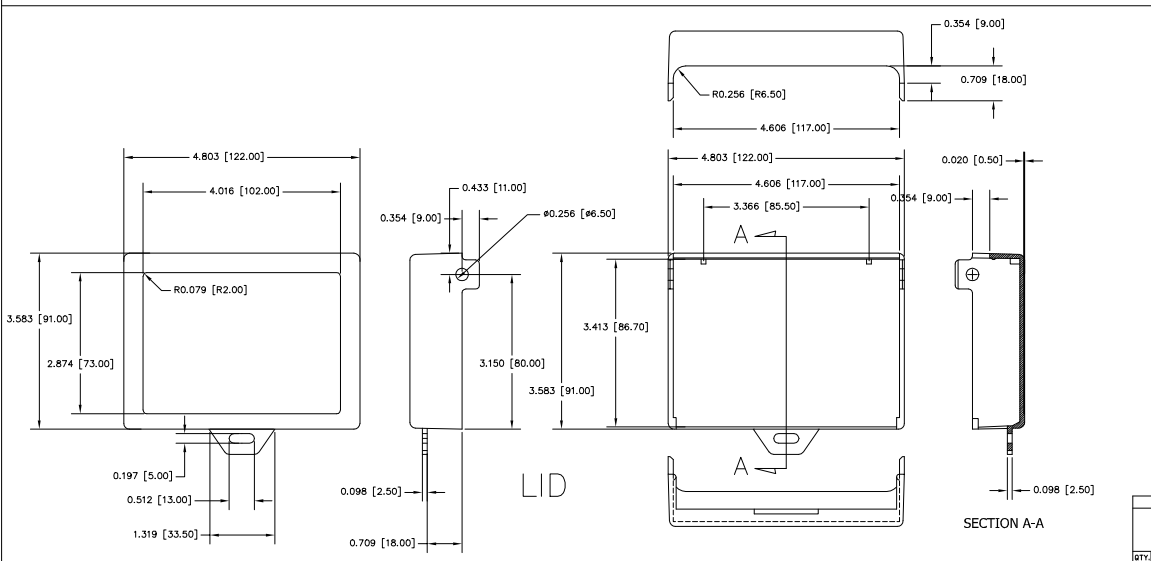
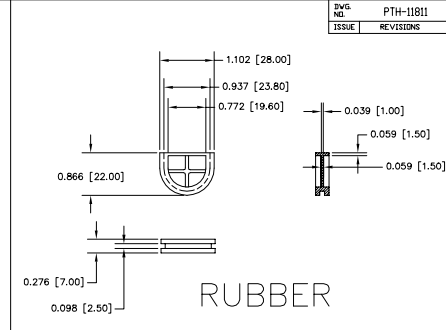
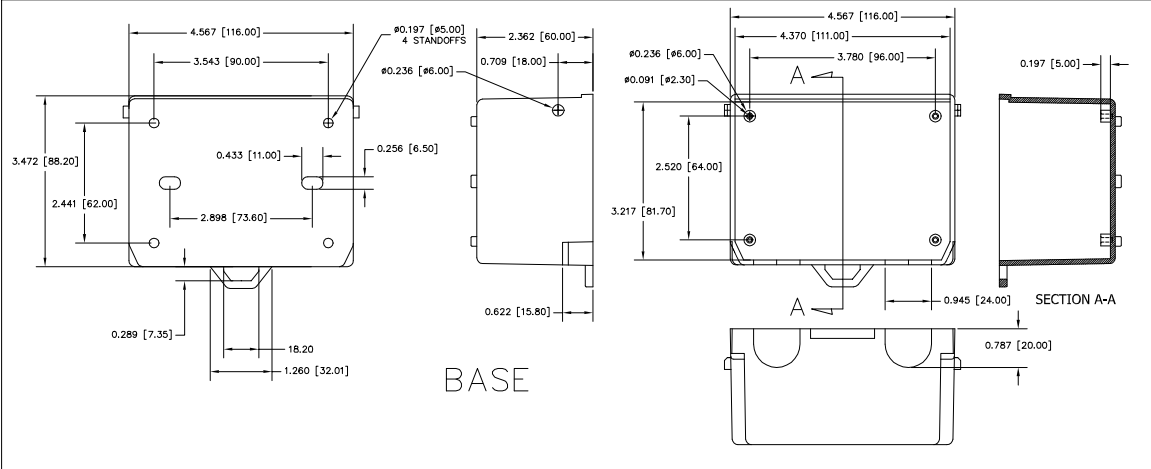


ENG. NO.	PTH-11811
ISSUE	REVISIONS



- * MATERIAL : HIGH IMPACT OF UL304HB ABS
- * ORDER BY PART NUMBER BELOW, LIGHT GREY OR BLACK COLOR:
PTH - 11811 - G: GREY
PTH - 11811 - B: BLACK
- * FINISH
- BASE: SMOOTH
LID: TEXTURED WITH SMOOTH RECESSED AREA.
- * SNAP-IN DESIGN CAN BE OPENED AND CLOSED EASILY WITHOUT A TOOL.
- * CABLE ENTRY RUBBER CAN BE CUT EASILY WITH A KNIFE FOR CABLE CONNECTION
- * 4 INTERNAL BOSSES ARE AVAILABLE FOR PCB ASSEMBLY. USE M2.5 OR #4 STD SHEET METAL SCREWS.
- * IDEALLY USED FOR INDOOR/OUTDOOR TELECOMMUNICATION DEVICE.
- * ALL DIMENSIONAL TOLERANCES ARE .015

ITEM	REV	DATE	SCALE	PART NO.	DESCRIPTION
TOLERANCES: HOLE BETWEEN HOLE CENTERS HOLE FROM CENTER LINE HOLE FROM A SURFACE HOLE BETWEEN SURFACES UNLESS OTHERWISE SPECIFIED	AS NOTED	AS NOTED	AS NOTED	PTH-11811	HINGED PLASTIC BOX 3.58 X 3.11 X 1.77
QTY	USED ON	APP.	DATE	DESIGNED BY	ENG. NO.
			10-13-08	HUB INDUSTRIES, INC.	PTH-11811