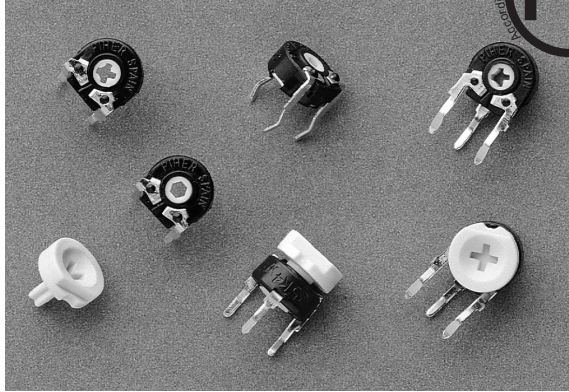




PT-6 6 mm Carbon Potentiometer



FEATURES

- Carbon resistive element.
- Dust proof enclosure.
- Polyester substrate.
- Also upon request:
 - Wiper positioned at 50% or fully clockwise
 - Supplied in magazines for automatic insertion
 - Long life model PT-6...E (10,000 cycles)
 - Without crimping model. PT-6...SC
 - Housing available in self extinguishable plastic (VL94V0)

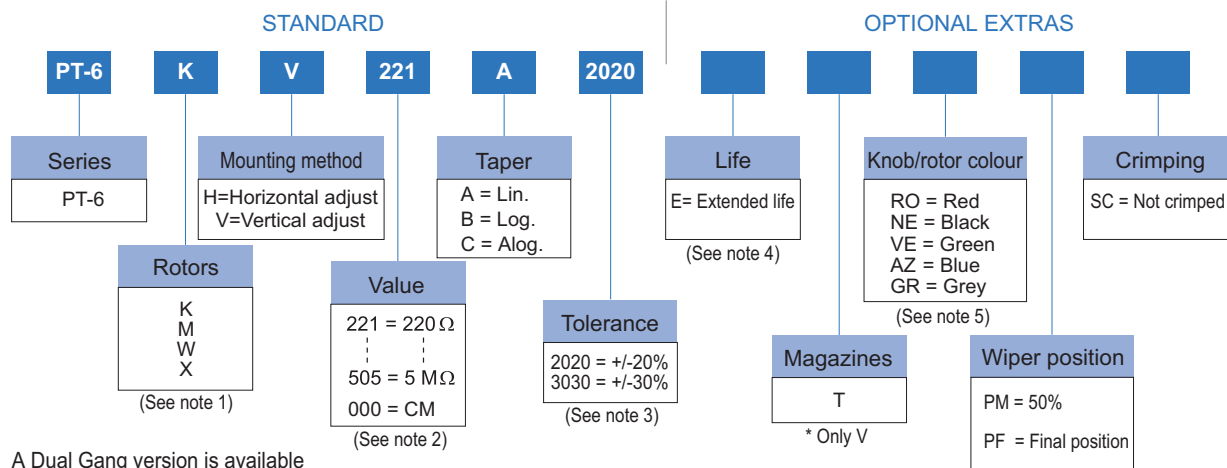
MECHANICAL SPECIFICATIONS

- Mechanical Rotation angle: $235^\circ \pm 5^\circ$
- Electrical Rotation angle: $200^\circ \pm 20^\circ$
- Torque: 0.2 to 2 Ncm. (0.3 to 2.7 in-oz)
- Stop torque: > 4 Ncm. (> 5.6 in-oz)

ELECTRICAL SPECIFICATIONS

- Range of values (*)
 $220\Omega \leq R_n \leq 5M$ (Decad. 1.0 - 2.0 - 2.2 - 2.5 - 4.7 - 5.0)
 - Tolerance (*): $220\Omega \leq R_n \leq 1M\Omega$ $\pm 20\%$
 $1M\Omega < R_n \leq 5M\Omega$ $\pm 30\%$
 - Max. Voltage: 100 VDC (lin), 50 VDC (no lin)
 - Nominal Power $50^\circ C$ ($122^\circ F$) (see power rating curve)
0.1 W (lin) 0.05 W (no lin)
 - Taper (*) (Log & Alog. only $R_n \geq 1K$)
Lin; Log; Alog.
 - Residual resistance(*): $\leq 5 \cdot 10^{-3} R_n$ (5Ω min)
 - Equivalent Noise Resistance: $\leq 3\% R_n$ (3Ω min)
 - Operating Temperature**: $-25^\circ C$ $+70^\circ C$ ($-13^\circ F$ $+158^\circ F$)
- (*) Others upon request. ** Up to $85^\circ C$ depending on application

HOW TO ORDER



A Dual Gang version is available (see Low Torque Ganged Trimmer data sheet).

NOTES:

- Adjust. type: «X» is only available with horizontal adjusting method.
- Value: - Code: $\frac{22}{1} = 220\Omega$
 - 000 = CM = Switch (see diagram)
 Number of zeros
 First two digits.
- Tolerance (non standard): Upon request: Code eg.: $\frac{+7}{-5} = \frac{07}{05}$
 Negative tolerance
 Positive tolerance
- Life: • Normal = 500 cycles • Long = 10,000 cycles
- Potentiometer without knob, only the rotor. Potentiometer with knob, only the knob.

NOTE: The information contained here should be used for reference purposes only.

HOW TO ORDER CUSTOM DRAWING

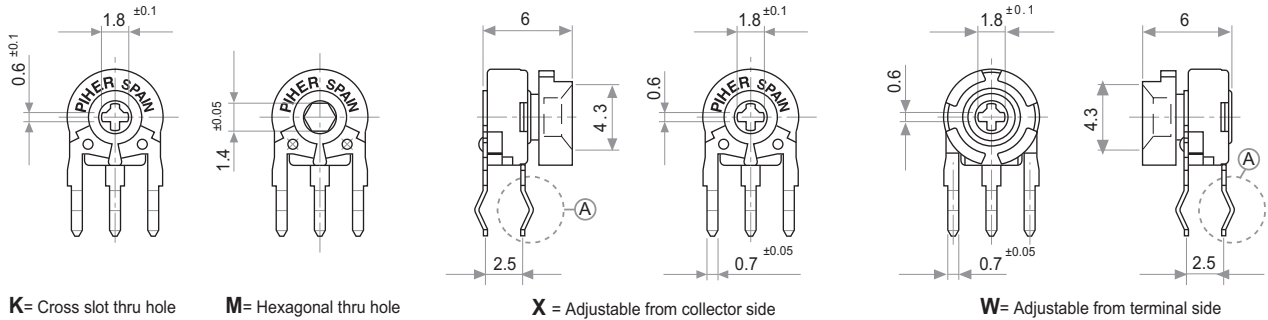
PT-6 KV + DRAWING NUMBER (Max. 16 characters)

This way of ordering should be used for options which are not included in the "How to order" standard and optional extras.

STANDARD OPTIONS

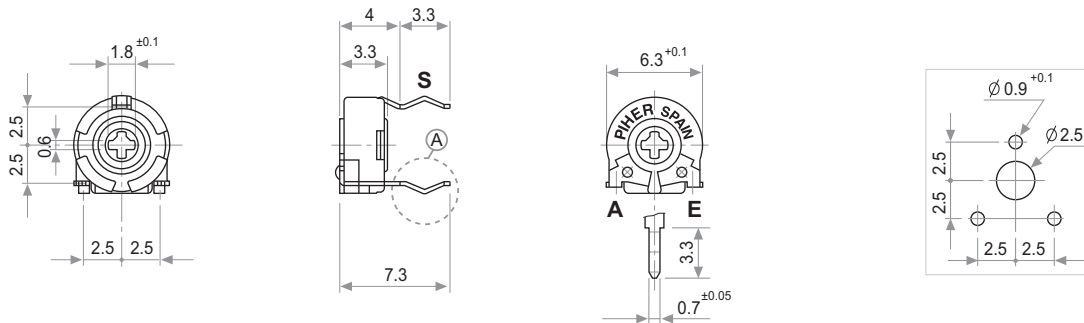
Mechanical life	500 cycles
Packing	Bulk
Rotor colour	White
Wiper position	Initial
Crimping	With crimping

ROTORS

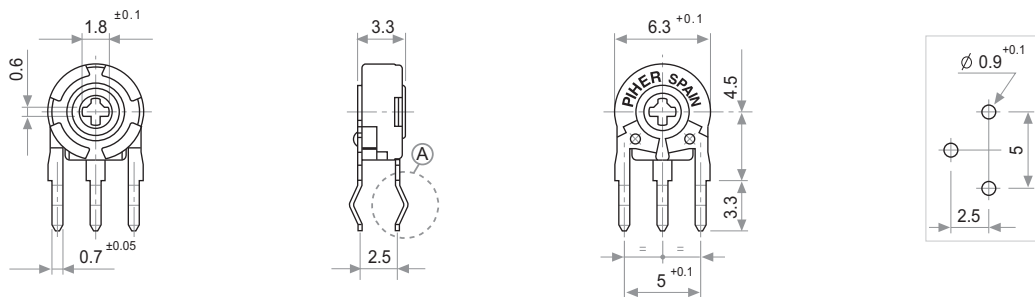


MOUNTING METHODS. VARIATIONS

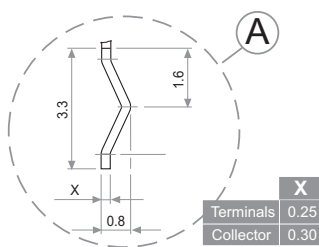
v = Horizontal mount / Vertical adjust



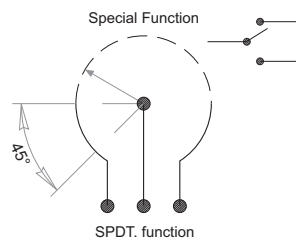
h = Vertical mount / Horizontal adjust



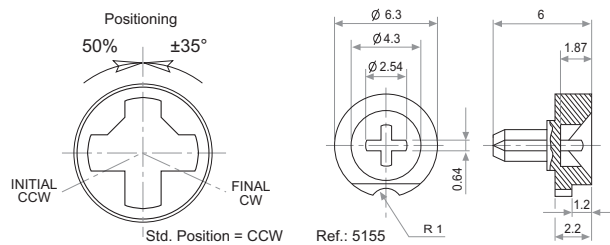
DETAIL



OPTIONS



KNOB



PACKAGING

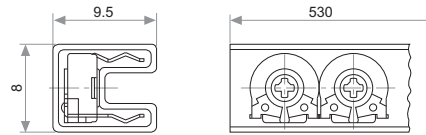
BOXES

Model	Units
All	1.000

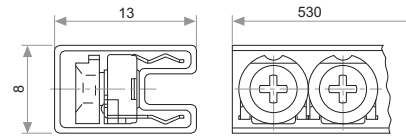
AUTOMATIC INSERTION

Magazines	Units per magazine
PT-6 V & PT-6 WV	80 Pieces

Magazines for PT-6 V with or without crimp.

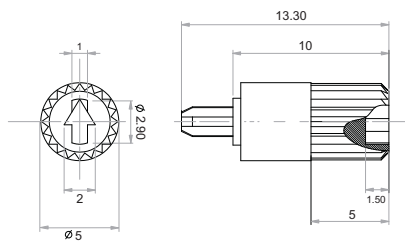


Magazines for PT-6 WV with or without crimp.



SHAFT

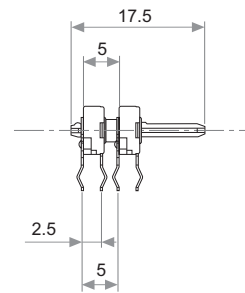
Ref.: 6132



Please order Shaft Separately

PT-6 DUAL GANG VERSION

For PT-6 dual gang version contact your nearest PIHER supplier



TESTS

ELECTRICAL LIFE	1.000 h. @ 50°C: 0.1 W	±5 %
MECHANICAL LIFE (CYCLES)	200 @ 10 CPM ... 15 CPM	±3 % (Rn < 1 MΩ)
TEMPERATURE COEFFICIENT	-25°C; +70°C	±300 ppm (Rn < 100 K)
THERMAL CYCLING	16 h. @ 85°C; 2h. @ -25°C	±2.5 %
DAMP HEAT	500 h. @ 40°C @ 95% HR	±5 %
VIBRATION (for each plane X,Y,Z)	2 h. @ 10 Hz. ... 55 Hz.	±2 %

NOTE: Out of range values may not comply with these results.

TYPICAL VARIATIONS

POWER RATING CURVE

