

MODEL L SERIES

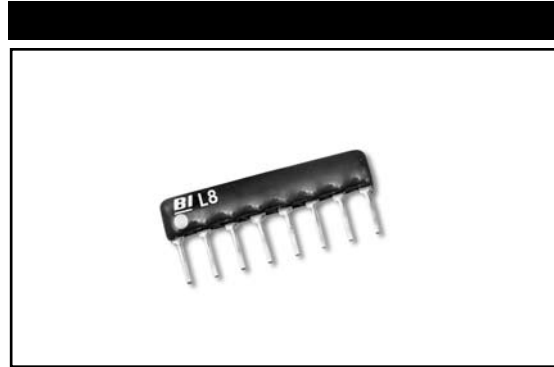
Thick Film

Low Profile SIP

Conformal Coated

Resistor Networks

RoHS Compliant



ELECTRICAL

| | |
|---|---|
| Standard Resistance Range, Ohms | 22 to 1Meg |
| Standard Resistance Tolerance, at 25°C | ±2% Optional: ±1% (F Tol.), ±5% (J Tol.) |
| Operating Temperature Range | -55°C to +125°C |
| Temperature Coefficient of Resistance | ±100ppm/°C (<100 Ohms = ±250ppm/°C) |
| Temperature Coefficient of Resistance, Tracking | ±50ppm/°C |
| Maximum Operating Voltage | 100Vdc or √PR |
| Insulation Resistance | ≥10,000 Megohms |

4

ENVIRONMENTAL

| | |
|---|-------------------------|
| Thermal Shock plus Power Conditioning | ΔR 0.70% |
| Short Time Overload | ΔR 0.25% |
| Terminal Strength | ΔR 0.25% |
| Moisture Resistance | ΔR 0.50% |
| Mechanical Shock | ΔR 0.25% |
| Vibration | ΔR 0.25% |
| Low Temperature Storage | ΔR 0.25% |
| High Temperature Exposure | ΔR 0.50% |
| Load Life, 1,000 Hours | ΔR 1.00% |
| Resistance to Solder Heat (Per MIL-STD-202, Method 210, Cond.B) | ΔR 0.25% |
| Dielectric Withstanding Voltage | 200V for 1 minute |
| Marking Permanency | MIL-STD 202, Method 215 |
| Lead Solderability | MIL-STD 202, Method 208 |
| Flammability | UL-94V-0 Rated |
| Storage Temperature Range | -55°C to +150°C |

Specifications subject to change without notice.



MECHANICAL

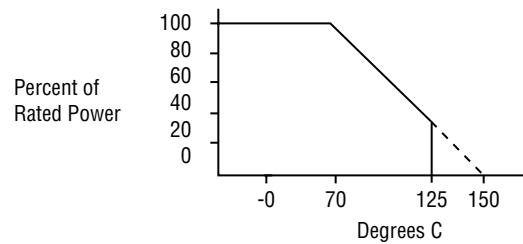
| | |
|--------------------|---|
| Lead Material | Steel Alloy (Standard) Copper Alloy (Optional) |
| Lead Finish | Tin |
| Substrate Material | Alumina |
| Resistor Material | Cermet |
| Body Material | Conformal Epoxy Resin |

STANDARD RESISTANCE VALUES, OHMS

| -3 Circuit (Isolated Resistors) & -1 Circuits (Bussed Resistors) | | | | | |
|---|------|------|------|------|------|
| Ohms | Code | Ohms | Code | Ohms | Code |
| 22 | 220 | 820 | 821 | 33K | 333 |
| 27 | 270 | 1K | 102 | 39K | 393 |
| 33 | 330 | 1.2K | 122 | 47K | 473 |
| 39 | 390 | 1.5K | 152 | 51K | 513 |
| 47 | 470 | 1.8K | 182 | 56K | 563 |
| 51 | 510 | 2K | 202 | 68K | 683 |
| 56 | 560 | 2.2K | 222 | 82K | 823 |
| 68 | 680 | 2.7K | 272 | 100K | 104 |
| 82 | 820 | 3.3K | 332 | 120K | 124 |
| 100 | 101 | 3.9K | 392 | 150K | 154 |
| 120 | 121 | 4.7K | 472 | 180K | 184 |
| 150 | 151 | 5.1K | 512 | 200K | 204 |
| 180 | 181 | 5.6K | 562 | 220K | 224 |
| 200 | 201 | 6.8K | 682 | 270K | 274 |
| 220 | 221 | 8.2K | 822 | 330K | 334 |
| 270 | 271 | 10K | 103 | 390K | 394 |
| 330 | 331 | 12K | 123 | 470K | 474 |
| 390 | 391 | 15K | 153 | 510K | 514 |
| 470 | 471 | 18K | 183 | 560K | 564 |
| 510 | 511 | 20K | 203 | 680K | 684 |
| 560 | 561 | 22K | 223 | 820K | 824 |
| 680 | 681 | 27K | 273 | 1Meg | 105 |

| -5 Circuit (Dual Terminators) | | | | | |
|--------------------------------------|---------|---------|---------|---------|---------|
| Ohms | Code | Ohms | Code | Ohms | Code |
| R1/R2 | R1/R2 | R1/R2 | R1/R2 | R1/R2 | R1/R2 |
| 180/390 | 181/391 | 330/390 | 331/391 | 3K/6.2K | 302/622 |
| 220/270 | 221/271 | 330/470 | 331/471 | | |
| 220/330 | 221/331 | 330/680 | 331/681 | | |

POWER DERATING CURVE

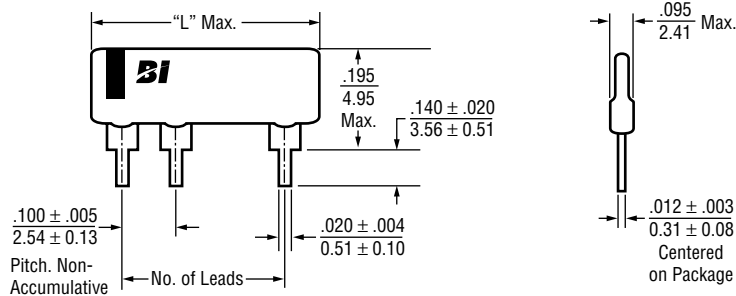


POWER DISSIPATION, WATTS AT 70°C

| Model | Package | — Resistor (Per Circuit) — | | |
|-------|---------|----------------------------|------|------|
| | | -1 | -3 | -5 |
| L06 | .6 | .125 | .200 | .125 |
| L08 | .8 | .125 | .200 | .125 |
| L10 | 1.0 | .125 | .200 | .125 |



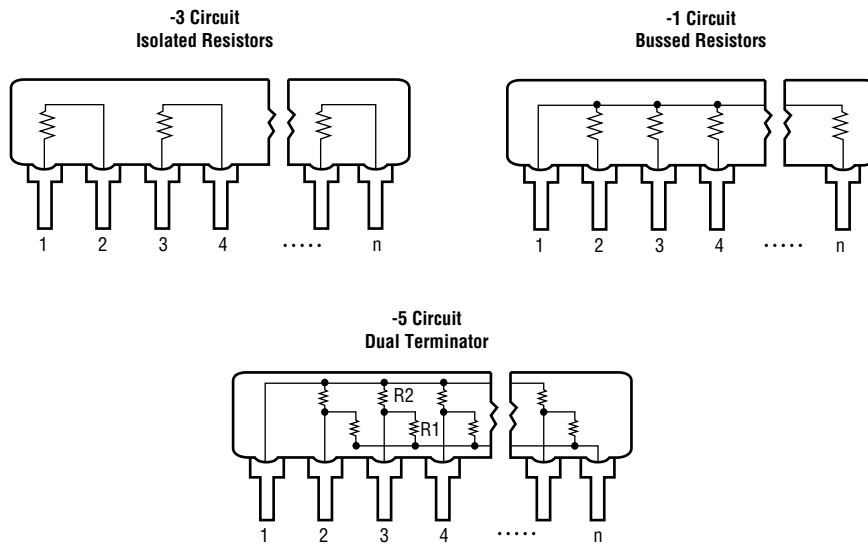
OUTLINE DIMENSIONS (Inch/mm)



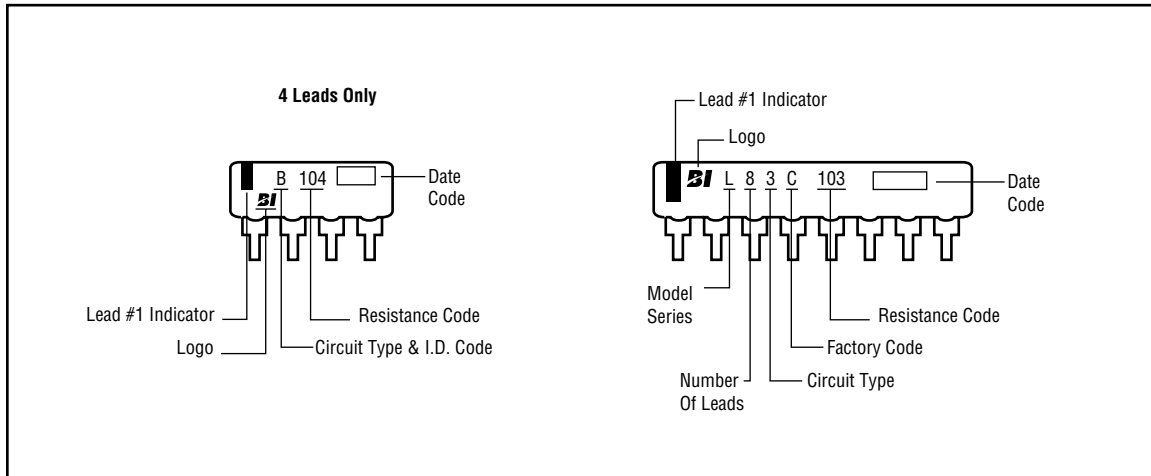
| # of Leads | 4 | 5 | 6 | 7 | 8 | 9 | 10 | 11 | 12 | 13 | 14 |
|---------------|---------------------|---------------------|---------------------|---------------------|---------------------|---------------------|----------------------|----------------------|----------------------|----------------------|----------------------|
| Dim. "L" Max. | $\frac{.40}{10.16}$ | $\frac{.50}{12.70}$ | $\frac{.60}{15.24}$ | $\frac{.70}{17.78}$ | $\frac{.80}{20.32}$ | $\frac{.90}{22.86}$ | $\frac{1.00}{25.40}$ | $\frac{1.10}{27.94}$ | $\frac{1.20}{30.48}$ | $\frac{1.30}{33.02}$ | $\frac{1.40}{35.56}$ |

4

SCHEMATICS



TYPICAL PART MARKING



PACKAGING

Standard: Bulk: Quantity = 500 (Europe)
200 Units (USA/Asia)

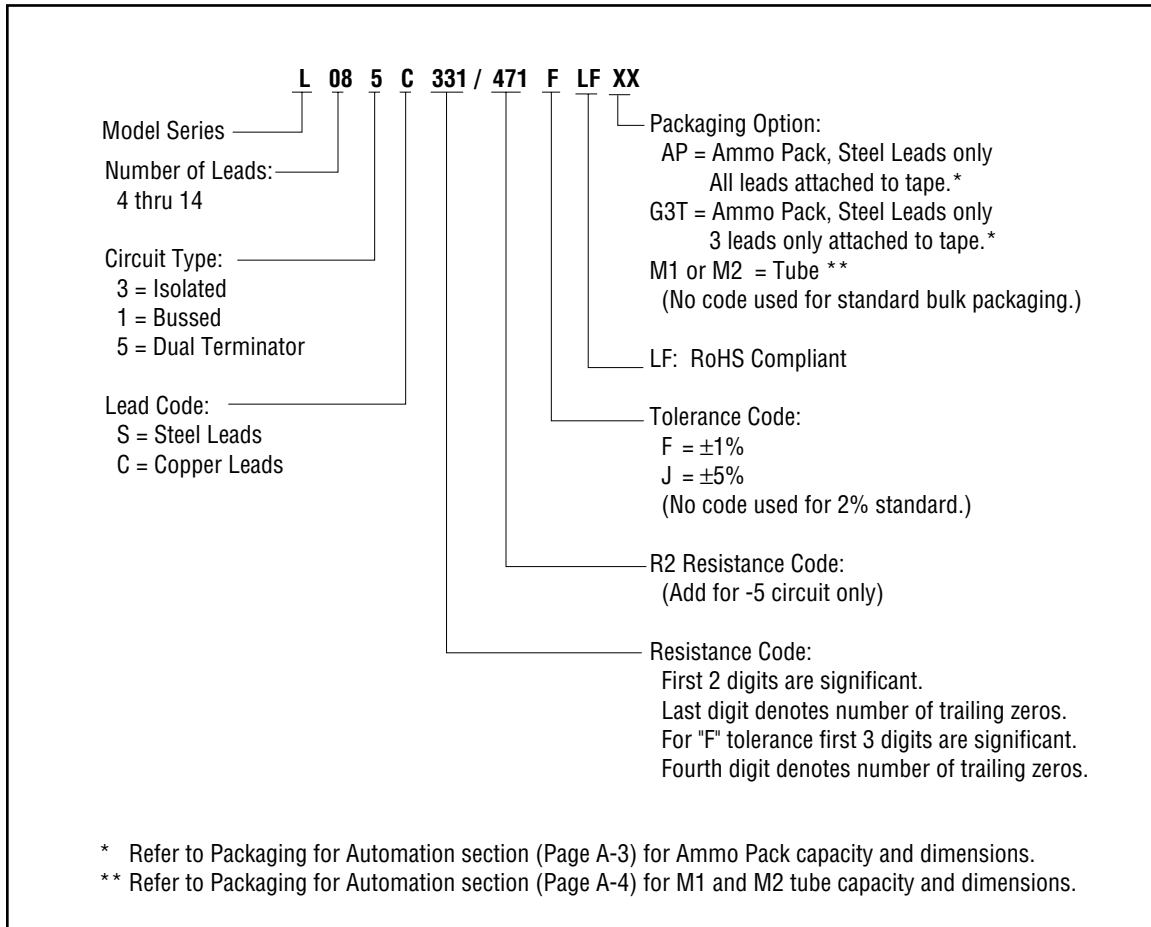
Option: Tape in Ammo Box (Steel pins only).
All Units oriented with lead #1 to the left of direction of feed.

| | | | |
|-----------|----------|---|-------------|
| Tape: | Width | = | 18mm |
| | Pitch | = | 12.7mm |
| Ammo Box: | Capacity | = | 1,000 Units |

Option: Magazine
Dimensions conform to EIA & JEDEC standards.
All Units oriented with lead #1 to the same side.

| | | | |
|-----------|----------|---|--------------------|
| Magazine: | Material | = | Antistatic Plastic |
|-----------|----------|---|--------------------|

ORDERING INFORMATION



APPLICABLE DOCUMENTS

- MIL-R-83401 — Resistor Networks, Fixed, Film, General Specifications
- MIL-STD-105 — Sampling Procedures and Tables for Inspection by Attributes
- MIL-STD-202 — Test Methods for Electronic and Electrical Component Parts

