

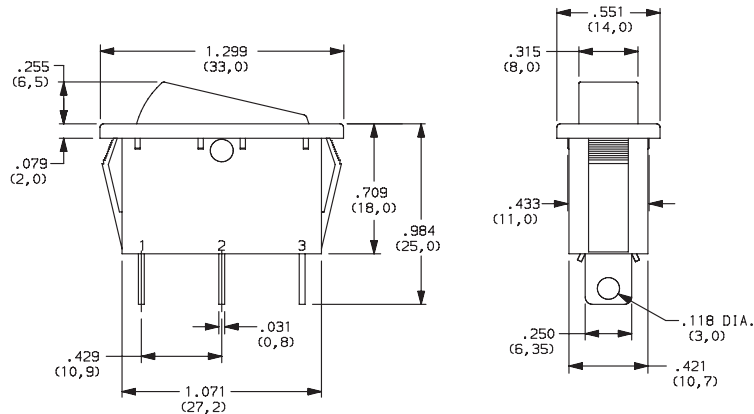
CM Series Single Pole Power Rocker Switches

SWITCH FUNCTION



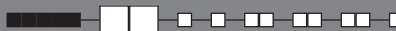
NO. POLES	MODEL NO.	SWITCH FUNCTION			CONNECTED TERMINALS			SCHEMATIC	
		Pos. 1	Pos. 2	Pos. 3	Pos. 1	Pos. 2	Pos. 3		
		C&K marking on opposite side			C&K marking on opposite side				
SP	CM101	ON	NONE	ON	2-1	N/A	2-1		
	CM102	ON	NONE	OFF			OPEN	 OR For Illuminated Version	
	CM103	ON	OFF	ON			OPEN	2-3	
	CM107	ON	OFF	MOM.					
	CM12 *	ON	NONE	OFF					N/A

* CM12 - for switches with both marking and illumination



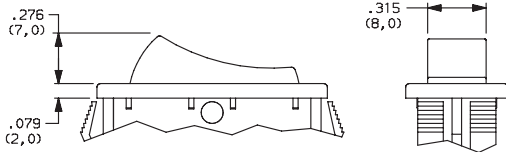
Shown in Pos. 1

ACTUATOR

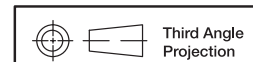


J1 ROCKER

J3 ILLUMINATED ROCKER



NOTE: J3 actuator available with CM102 & CM12 switch function only.



Third Angle
Projection

Dimensions are shown: Inches (mm)
Specifications and dimensions subject to change



CM Series Single Pole Power Rocker Switches

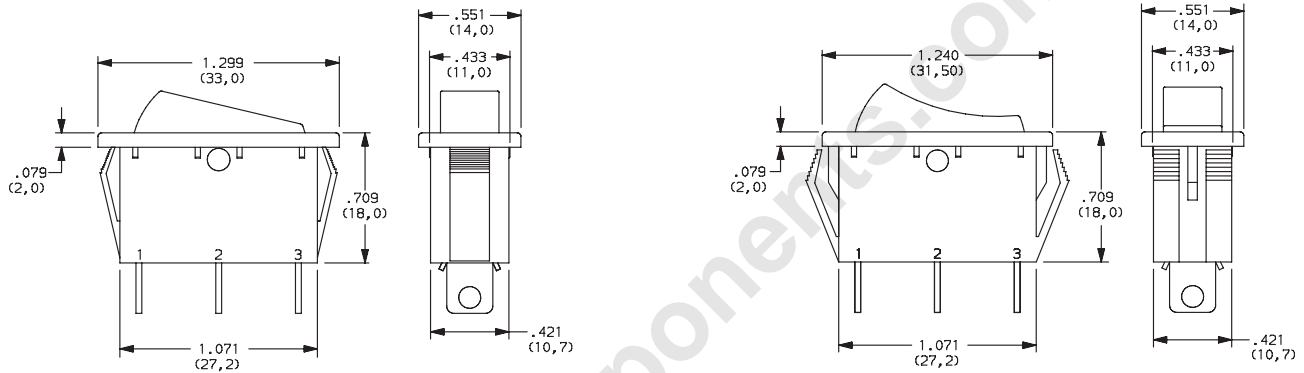
ACTUATOR COLOR

OPTION CODE	ACTUATOR COLOR
2	BLACK
1	WHITE
3	RED
R	RED, ILLUMINATED
A	AMBER, ILLUMINATED
G	GREEN, ILLUMINATED

MOUNTING STYLE/COLOR

S2 SNAP-IN, BLACK
S1 SNAP-IN, WHITE

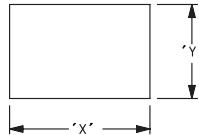
S4 SNAP-IN, BLACK (SHORT FRAME)
S3 SNAP-IN, WHITE



Shown in Pos. 1

Shown in Pos. 1

PANEL MOUNTING



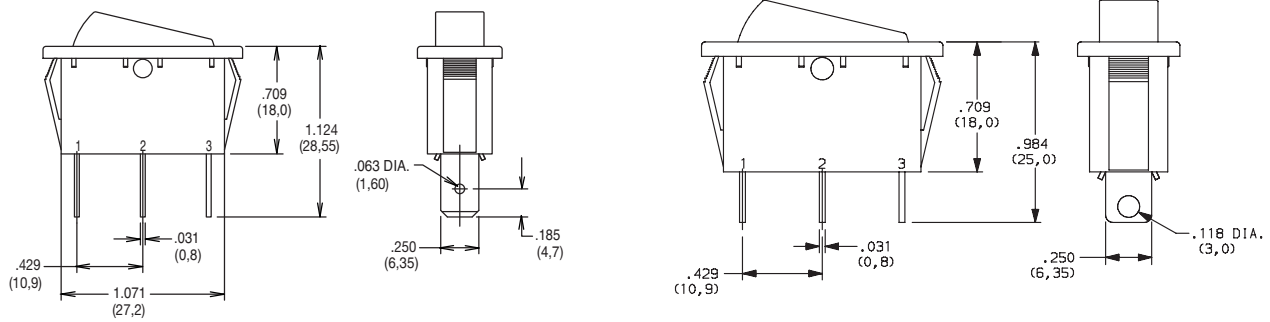
PANEL THICKNESS	"X"	"Y"
0.030-0.049 (0,75-1,25)	1.189-.004 (30,2-0,1)	0.441+.004 (11,2+0,1)
0.049-0.079 (1,25-2,0)	1.197-.004 (30,4-0,1)	0.441+.004 (11,2+0,1)
0.079-0.118 (2,0-3,0)	1.212-.004 (30,8-0,1)	0.441+.004 (11,2+0,1)

TERMINATION

05 .250 QUICK CONNECT

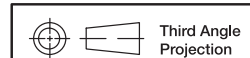
07 SOLDER LUG

Rocker



Shown in Pos. 1

NOTE: Available with CM101 & CM102 switch functions only.



Third Angle Projection

Dimensions are shown: Inches (mm)
Specifications and dimensions subject to change

www.ck-components.com

CM Series Single Pole Power Rocker Switches

ACTUATOR MARKING



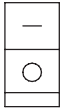
NONE NO MARKING



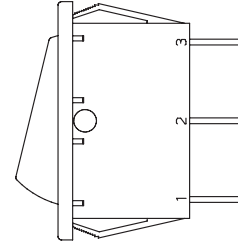
D ON-OFF



H 0 I



P 0 -



NOTE: Orientation of actuator marking and terminals.

Shown in Pos. 1

CONTACT MATERIAL



OPTION CODE	CONTACT AND TERMINAL MATERIAL	RATINGS	
QA	SILVER	POWER	16 AMPS @ 125 VAC; 1/8 HP 10 AMPS @ 250 VAC, 1/3 HP (UL/CSA).

* Note: See Technical Data section of this catalog for RoHS compliant and compatible definitions and specifications.

LAMP RATING



(NONE) NO LAMP

7 125 VAC 33kΩ NEON

8 250 VAC 150kΩ NEON

NOTE: Lamp rating for J3 & J8 actuator option.