

# CM SERIES

## RELAY SOCKETS



<b>DESCRIPTION</b>	5, 8 and 11 Pin Square Base Sockets
<b>ELECTRICAL RATING</b>	<ul style="list-style-type: none"> <li>• 300 Volts, 10 Amps</li> <li>• 150 Volts, 15 Amps</li> </ul>
<b>CONSTRUCTION</b>	<b>Contacts</b> • Brass, Bright Tin Plated <b>Molding</b> • Break Resistant Thermoplastic Black Standard, White Available
<b>AGENCY APPROVALS</b>	<ul style="list-style-type: none"> <li>• UL recognized, File No. E60008</li> <li>• CSA certified, File No. LR29513</li> <li>• CE (*)</li> </ul>



### ORDERING CODE

PART NO.	DESCRIPTION	TERMINAL TYPE
CM05-PCB-1S (*)	SPDT, 5 Pin Square, No Mount Ends (Fig. 2)	PC Board
CM05-PCB (*)	SPDT, 5 Pin Square (Fig. 1)	PC Board
CM05-LPCB-1S	SPDT, 5 Pin Square, No Mount Ends (Fig. 2)	Long PC Board
CM05-LPCB	SPDT, 5 Pin Square (Fig. 1)	Long PC Board
CM08-PCB-1S (*)	DPDT, 8 Pin Square, No Mount Ends (Fig. 2)	PC Board
CM08-PCB (*)	DPDT, 8 Pin Square (Fig. 1)	PC Board
CM08-LPCB-1S	DPDT, 8 Pin Square, No Mount Ends (Fig. 2)	Long PC Board
CM08-LPCB	DPDT, 8 Pin Square (Fig. 1)	Long PC Board
CM11-PCB-1S (*)	3PDT, 11 Pin Square, No Mount Ends (Fig. 2)	PC Board
CM11-PCB (*)	3PDT, 11 Pin Square (Fig. 1)	PC Board
CM11-LPCB-1S	3PDT, 11 Pin Square, No Mount Ends (Fig. 2)	Long PC Board
CM11-LPCB	3PDT, 11 Pin Square (Fig. 1)	Long PC Board

### ACCESSORIES

PART NO.	DESCRIPTION (Refer to the accessories pages 25-27)
HDB-5	Hold Down Spring

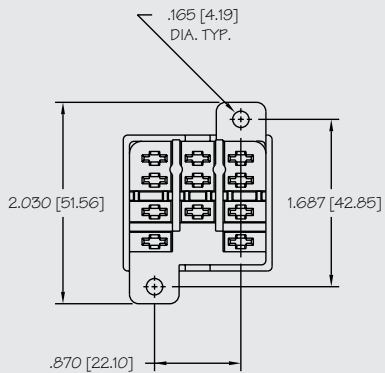


Fig. 1

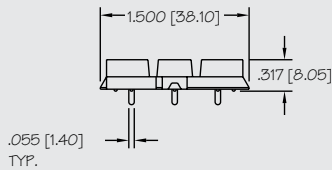
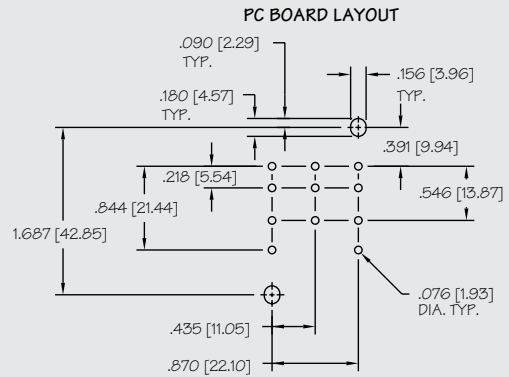
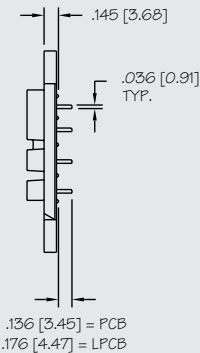


Fig. 2

