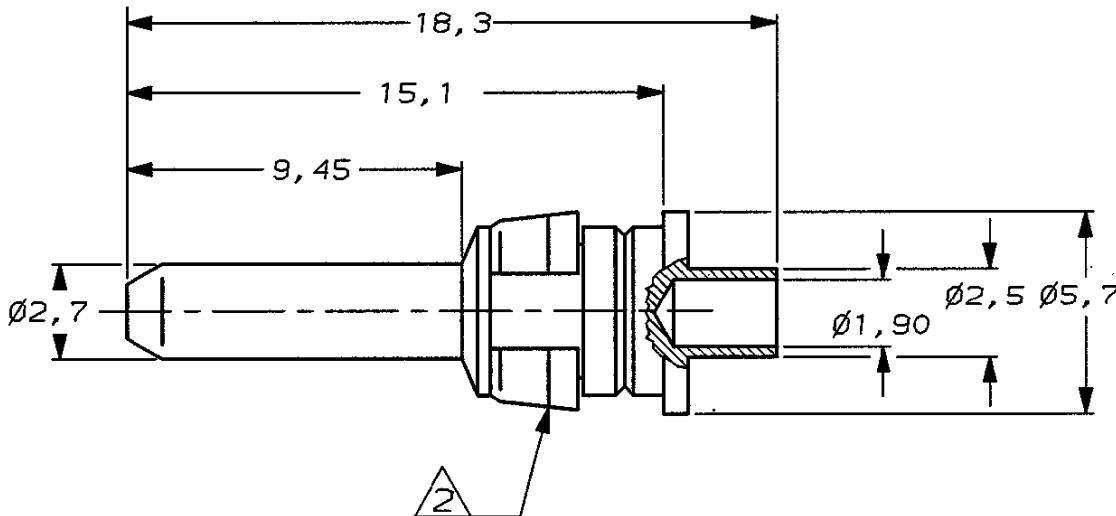
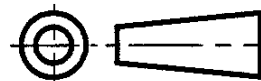


DO NOT SCALE

DIMENSIONS IN mm

METRIC


THIRD ANGLE  
PROJECTION



NOTES:

1 SUITABLE FOR MALE D-IEC AND 2mm  
Z-PACK HM MALE CONNECTORS.

RETAINING RING.

GOLD ( CLASS 1 )		CONTACT ; BRASS			100078-1							
FINISH		MATERIAL			PARTNUMBER							
-	-	-	-	-	<b>CUSTOMER DRAWING</b> FOR REFERENCE ONLY WILL NOT BE UPDATED © COPYRIGHT 19-- BY AMP HOLLAND B.V. ALL INTERNATIONAL RIGHTS RESERVED. AMP PRODUCTS MAY BE COVERED BY U.S. AND FOREIGN AND/OR PATENTS PENDING. THIS DRAWING IS UNPUBLISHED RELEASED FOR PUBLICATION _____, 19____  AMP HOLLAND B.V. 's-Hertogenbosch, The Netherlands.							
-	-	-	-	-								
-	-	-	-	-								
-	-	-	-	-								
-	-	-	-	-								
B	EH-1573-95	J. G.	R. v. L.	21-12-95	NAME POWER CONTACT MALE SHORT CUP F.M.L.B. (10 AMP)							
A	H-9578	S. M.	B. M.	04-03-92								
LTR.	REVISION RECORD	DR.	CHK.	DATE								
DR. :	J. V. LIEMPT	CHK. :	J. V. BRUNSVEN	APP. :	-	DWG. No.	C-100078	REV. LTR.	B	SHEET	1 OF 1	A4
DATE :	21-03-91	DATE :		DATE :	-							