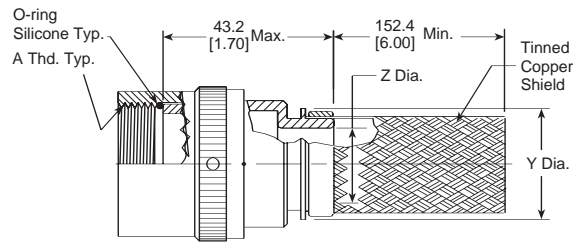
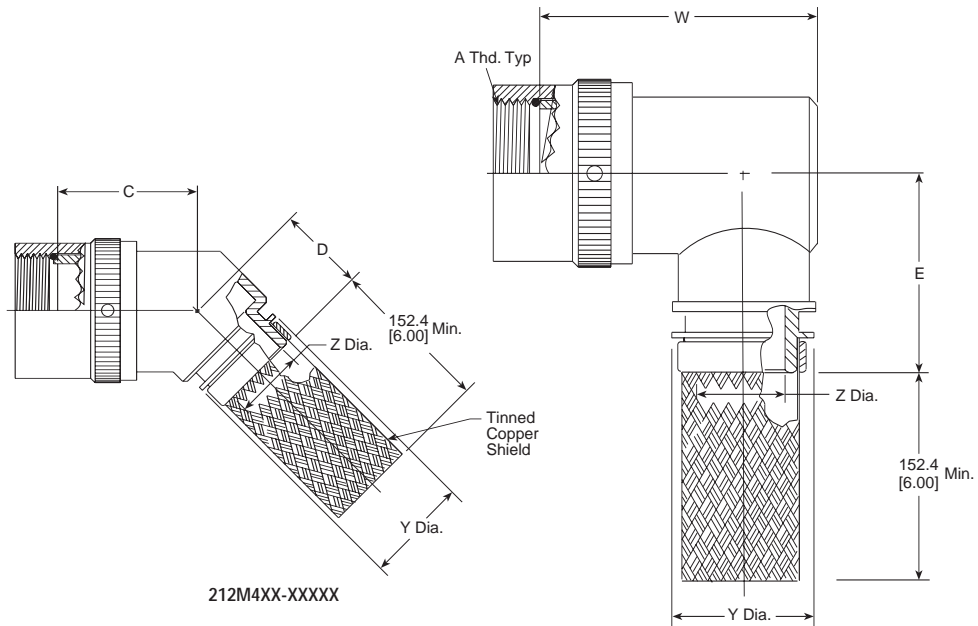


Braided Adapters



207M3XX-XXXXX



212M4XX-XXXXX

212M5XX-XXXXX

| Available in: | Americas | Europe | Asia Pacific |
|---------------|----------|--------|--------------|
| | ■ | ■ | ■ |

Braided Adapters

(continued)

Code 32 MIL-C-22992 (Continued)

Table of Dimensions

| Order No. | Shell Size | Max. Entry Size, Type 1* | A Left Hand Thd. Class 2B | Dimensions | | |
|-----------|------------|--------------------------|---------------------------|-------------|-------------|-------------|
| | | | | C Max. | D Max. | E Max |
| 12 | 12 | 08 | .750-20 UNEF | 29.0 [1.14] | 25.4 [1.00] | 33.5 [1.32] |
| 14 | 14 | 10 | .875-20 UNEF | 29.7 [1.17] | 25.9 [1.02] | 35.3 [1.39] |
| 16 | 16 | 12 | 1.000-20 UNEF | 30.0 [1.18] | 26.2 [1.03] | 37.1 [1.46] |
| 18 | 18 | 14 | 1.125-18 UNEF | 30.7 [1.21] | 26.9 [1.06] | 38.6 [1.52] |
| 20 | 20 | 16 | 1.250-18 UNEF | 31.2 [1.23] | 27.7 [1.09] | 40.1 [1.58] |
| 22 | 22 | 18 | 1.375-18 UNEF | 32.0 [1.26] | 28.2 [1.11] | 41.7 [1.64] |
| 24 | 24 | 22 | 1.625-18 UNEF | 33.5 [1.32] | 30.0 [1.18] | 46.5 [1.83] |
| 28 | 28 | 24 | 1.875-16 UN | 34.8 [1.37] | 31.2 [1.23] | 49.8 [1.96] |
| 32 | 32 | 28 | 2.062-16 UNS | 36.3 [1.43] | 32.5 [1.28] | 52.8 [2.08] |
| 36 | 36 | 28 | 2.312-16 UNS | 37.6 [1.48] | 33.8 [1.33] | 56.1 [2.21] |
| 40 | 40 | 28 | 2.625-16 UN | 38.9 [1.53] | 35.3 [1.39] | 58.9 [2.32] |

*For larger than maximum type 1 entry sizes, a two-piece adapter will be supplied. Contact Tyco Electronics for information.

Entry Size Dimensions

| Entry Size | Dimensions | | |
|------------|-------------------|---------------|-------------|
| | Z ± 0.20 (± 0.51) | Y Dia. Min. | W Max. |
| 03 | 4.75 [.187] | 9.98 [.393] | 39.6 [1.56] |
| 04 | 6.35 [.250] | 11.58 [.456] | 39.6 [1.56] |
| 05 | 7.92 [.312] | 13.08 [.515] | 42.9 [1.69] |
| 06 | 9.53 [.375] | 14.76 [.581] | 42.9 [1.69] |
| 07 | 11.13 [.438] | 16.33 [.643] | 46.0 [1.81] |
| 08 | 12.70 [.500] | 17.91 [.705] | — |
| 09 | 14.27 [.562] | 17.91 [.705] | 49.3 [1.94] |
| 10 | 15.88 [.625] | 21.11 [.831] | 49.3 [1.94] |
| 11 | 17.48 [.688] | 22.68 [.893] | 52.3 [2.06] |
| 12 | 19.05 [.750] | 24.21 [.953] | 52.3 [2.06] |
| 13 | 20.62 [.812] | 24.21 [.953] | 55.6 [2.19] |
| 14 | 22.23 [.875] | 27.46 [1.081] | 55.6 [2.19] |
| 15 | 23.83 [.938] | 29.03 [1.143] | 59.9 [2.36] |
| 16 | 25.40 [1.000] | 30.61 [1.205] | 59.9 [2.36] |
| 18 | 28.58 [1.125] | 35.08 [1.381] | 69.6 [2.74] |
| 20 | 31.75 [1.250] | 38.25 [1.506] | 72.6 [2.86] |
| 22 | 34.93 [1.375] | 41.43 [1.631] | 75.9 [2.99] |
| 24 | 38.10 [1.500] | 44.60 [1.756] | 79.0 [3.11] |
| 28 | 44.45 [1.750] | 50.90 [2.004] | 85.3 [3.36] |

Spin-Coupling Adapters

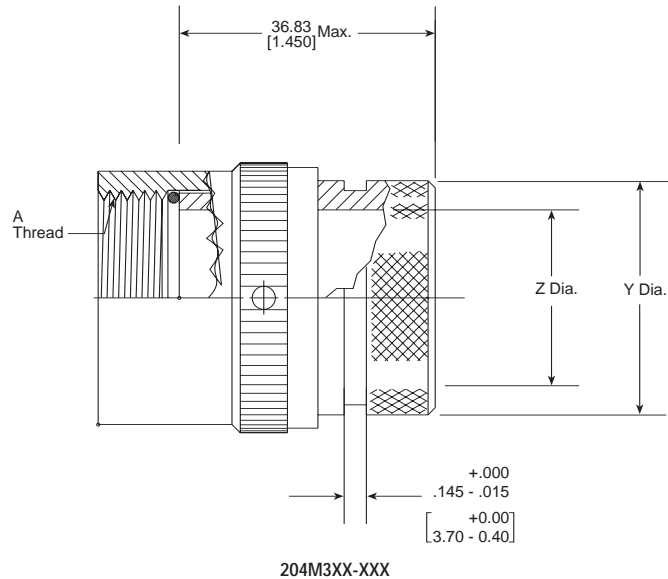


Table of Dimensions

| Base Part Number | Shell Size | A L.H. Thread Class 2B | Dimensions | |
|------------------|------------|---------------------------|---------------------|---------------|
| | | | Y ± .020 (±0.51) | Z Min. |
| 12 | 12 | .750-20 UNEF | 20.24 [.797] | 12.47 [.491] |
| 14 | 14 | .875-20 UNEF | 23.44 [.923] | 14.35 [.565] |
| 16 | 16 | 1.000-20 UNEF | 26.42 [1.040] | 17.53 [.690] |
| 18 | 18 | 1.125-18 UNEF | 31.17 [1.227] | 18.19 [.716] |
| 20 | 20 | 1.250-18 UNEF | 34.49 [1.358] | 21.72 [.855] |
| 22 | 22 | 1.375-18 UNEF | 37.21 [1.465] | 25.02 [.985] |
| 24 | 24 | 1.625-18 UNEF | 42.82 [1.686] | 30.48 [1.200] |
| 28 | 28 | 1.875-16 UN | 50.06 [1.971] | 36.58 [1.440] |
| 32 | 32 | 2.062-16 UNS | 55.35 [2.179] | 40.77 [1.605] |
| 36 | 36 | 2.312-16 UNEF | 61.01 [2.402] | 52.96 [2.085] |
| 40 | 40 | 2.625-16 UNS | 67.46 [2.656] | 57.15 [2.250] |
| 44 | 44 | 2.875-16 UNS | 70.66 [2.782] | 62.46 [2.549] |

*For larger than maximum type 1 entry sizes, a two-piece adapter will be supplied. Contact Tyco Electronics for information.

Molded Part Size Selection Guide (Spin-Coupling)

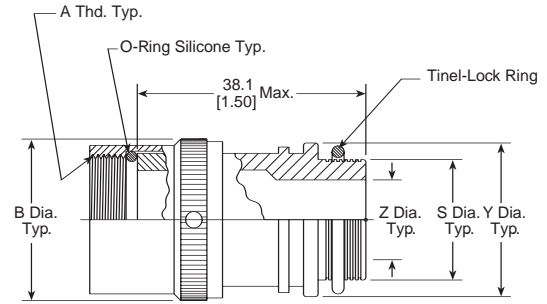
| Order No. | Standard K Parts | | | Low-profile D Parts | | |
|------------|-------------------|--------------|-----------------|---------------------|--------------|-----------------|
| | Straight Part No. | 90° Part No. | Cable OD (Min.) | Straight Part No. | 90° Part No. | Cable OD (Min.) |
| 12 | 202K142 | 222K142 | 7.1 [0.28] | 202D232 | 222D232 | 8.4 [0.33] |
| 14, 16 | 202K153 | 222K152 | 8.4 [0.33] | 202D242 | 222D242 | 9.7 [0.38] |
| 18, 20 | 202K163 | 222K163 | 9.9 [0.39] | 202D253 | 222D253 | 10.5 [0.41] |
| 22, 24 | 202K174 | 222K174 | 15.7 [0.62] | 202D263 | 222D263 | 12.2 [0.48] |
| 26, 32, 36 | 202K185 | 222K185 | 16.8 [0.66] | — | — | — |

Uniboost Parts

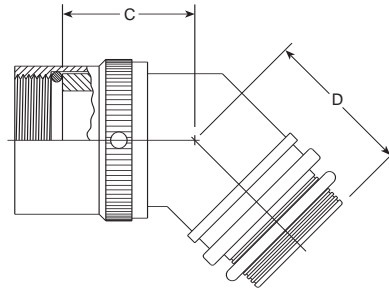
| Order No. | Part No. | Cable OD (Min.) |
|----------------|----------|-----------------|
| 12 | 202C632 | 12.7 [0.50] |
| 14, 16 | 202C642 | 17.5 [0.69] |
| 18, 20, 22, 24 | 202C653 | 22.4 [0.88] |

| Available in: | Americas | Europe | Asia Pacific |
|---------------|----------|--------|--------------|
| | ■ | ■ | ■ |

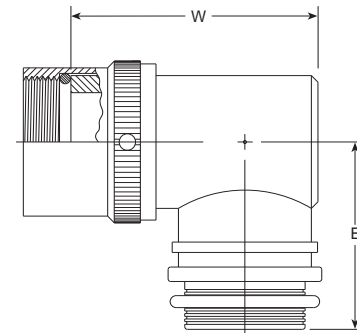
Tinel-Lock Adapters



TXR32XX00-XXXXXX



TXR32XX45-XXXXXX



TXR32XX90-XXXXXX

| Order No. | Shell Size | Max. Entry Size Type I | Dimensions | | | | | | | |
|-----------|------------|------------------------|--------------------------|-------------|-------------|-------------|-----------------|--------------------------------|-------------------|--------------|
| | | | A Left Hand Thd Class 2B | C Max. | D Max. | E Max. | Z + .010 - .020 | S Dia. | Y ± .015 (± 0.38) | W Max. |
| 12 | 12 | 08 | .750-20 UNEF | 29.0 [1.14] | 25.4 [1.00] | 33.5 [1.32] | 19.05 [.750] | 22.28 [.877] 22.02 [.867] | 26.67 [1.050] | 52.3 [2.06] |
| 14 | 14 | 10 | .875-20 UNEF | 29.7 [1.17] | 25.9 [1.02] | 35.3 [1.39] | 22.23 [.875] | 25.46 [1.002] 25.17 [.991] | 29.84 [1.175] | 55.6 [2.19] |
| 16 | 16 | 12 | 1.000-20 UNEF | 30.0 [1.18] | 26.2 [1.03] | 37.1 [1.46] | 25.40 [1.000] | 28.63 [1.127] 28.34 [1.116] | 33.02 [1.300] | 59.01 [2.36] |
| 18 | 18 | 14 | 1.125-18 UNEF | 30.7 [1.21] | 26.9 [1.06] | 38.6 [1.52] | 28.57 [1.125] | 31.81 [1.252] 31.52 [1.241] | 36.19 [1.425] | 69.6 [2.74] |
| 20 | 20 | 16 | 1.250-18 UNEF | 31.2 [1.23] | 27.7 [1.09] | 40.1 [1.58] | 31.75 [1.250] | 34.98 [1.377] 34.69 [1.366] | 39.37 [1.550] | 72.6 [2.86] |
| 22 | 22 | 18 | 1.375-18 UNEF | 32.0 [1.26] | 28.2 [1.11] | 41.7 [1.64] | 34.93 [1.375] | 38.15 [1.502] 37.79 [1.488] | 42.55 [1.675] | 75.9 [2.99] |
| 24 | 24 | 22 | 1.625-18 UNEF | 33.5 [1.32] | 30.0 [1.18] | 46.5 [1.83] | 38.10 [1.500] | 41.33 [1.627] 40.97 [1.613] | 45.72 [1.800] | 79.0 [3.11] |
| 28 | 28 | 24 | 1.875-16 UN | 34.8 [1.37] | 31.2 [1.23] | 49.8 [1.96] | — | — | — | — |
| 32 | 32 | 24 | 2.062-16 UNS | 36.3 [1.43] | 32.5 [1.28] | 52.8 [2.08] | — | — | — | — |
| 36 | 36 | 24 | 2.312-16 UNS | 37.6 [1.48] | 33.8 [1.33] | 56.1 [2.21] | — | — | — | — |
| 40 | 40 | 24 | 2.625-16 UN | 38.9 [1.53] | 35.3 [1.39] | 58.9 [2.32] | — | — | — | — |

**For larger than maximum type 1 entry sizes, a two-piece adapter will be supplied. Contact Tyco Electronics for information.

| Available in: | Americas | Europe | Asia Pacific |
|---------------|----------|--------|--------------|
| | ■ | ■ | ■ |

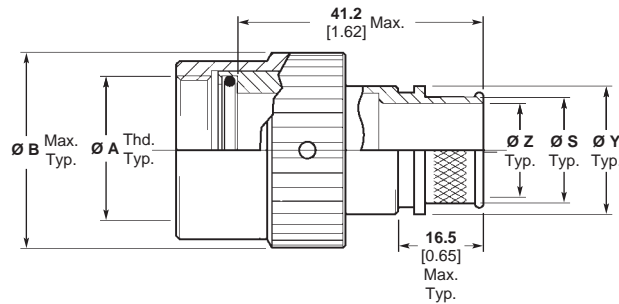
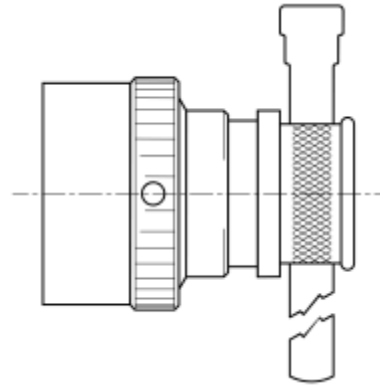
CRES-Lock Adapters (USA)
BND Adapters (Europe)

Code 32 Band Strap
Adapter

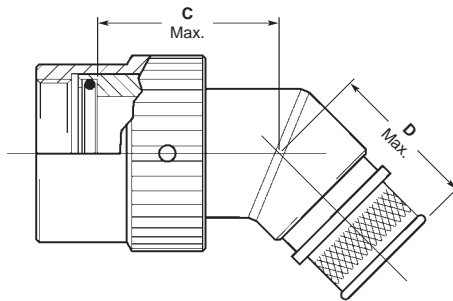
Notes:

1. This product is designed to terminate a braided cable shield by means of a band strap and a heat shrinkable lipped boot to a connector.
2. See CH00-0250-016 for ordering information, modifications and additional dimensions.
3. See drawing BND-XX25S for band strap dimensions and information.
4. Adapter to be permanently marked with code identification number and full part number (e.g. 06090-BND32AB00-1812). Band strap shall bear no part marking.
5. All entry sizes are shown in Table II. Maximum entry sizes are as shown in Table I. For larger entry sizes than the maximum, a Type II adapter may be supplied. See CH00-0250-016 for further details.
6. Adapter mates to: MIL-C-22992, Class C and R, MS17343, 44, 45 and 47 Connectors.
7. Anti-rotational set screw, 3 threaded holes $120^\circ \pm 5^\circ$ apart, single mating set screw supplied: AN565DC4H2. Not required for Type II adapters.

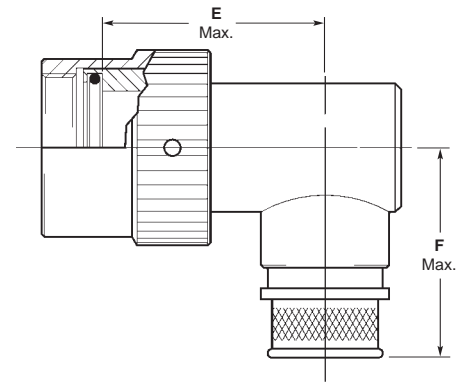
For additional codes available, contact Tyco Electronics.



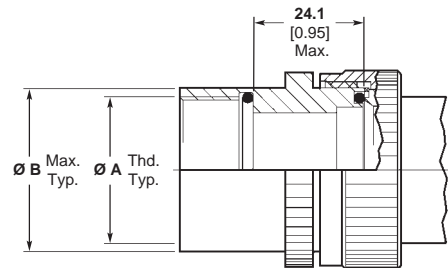
Straight Adapter
Code 00



45° Adapter
Code 45



90° Adapter
Code 90



Type II Modification
(See Note 5)

| Available in: | Americas | Europe | Asia Pacific |
|---------------|----------|--------|--------------|
| | ■ | ■ | ■ |

**CRES-Lock Adapters (USA)
BND Adapters (Europe)**
(continued)

**Code 32 Band Strap
Adapter** (Continued)

Code 32 MIL-C-22992 (Continued)

Table I

| Order Number | Shell Size ² | Entry Size Max. Type I ¹ | Ø A Unified Thread Class 2B | Ø B Max. | C Max. | D Max. | F Max. |
|--------------|-------------------------|-------------------------------------|-----------------------------|--------------|--------------|--------------|--------------|
| 12 | 12 | 08 | 0.7500-20 UNEF | 27.2 1.07 | 29.0 1.14 | 28.4 1.12 | 36.6 1.44 |
| 14 | 14 | 10 | 0.8750-20 UNEF | 30.2 1.19 | 29.7 1.17 | 28.9 1.14 | 38.4 1.51 |
| 16 | 16 | 12 | 1.0000-20 UNEF | 33.5 1.32 | 30.0 1.18 | 29.2 1.15 | 40.1 1.58 |
| 18 | 18 | 14 | 1.1250-18 UNEF | 36.6 1.44 | 30.7 1.21 | 30.0 1.18 | 41.7 1.64 |
| 20 | 20 | 16 | 1.2500-18 UNEF | 39.9 1.57 | 31.2 1.23 | 30.7 1.21 | 43.2 1.70 |
| 22 | 22 | 18 | 1.3750-18 UNEF | 42.9 1.69 | 32.0 1.26 | 31.2 1.23 | 44.7 1.76 |
| 24 | 24 | 22 | 1.6250-18 UNEF | 52.6 2.07 | 33.5 1.32 | 33.0 1.30 | 49.5 1.95 |
| 28 | 28 | 26 | 1.8750-16 UN | 58.9 2.32 | 34.8 1.37 | 34.3 1.35 | 52.8 2.08 |
| 32 | 32 | 30 | 2.0625-16 UNS | 65.3 2.57 | 36.3 1.43 | 35.6 1.40 | 55.9 2.20 |
| 36 | 36 | 34 | 2.3125-16 UNS | 71.6 2.82 | 37.6 1.48 | 36.8 1.45 | 59.2 2.33 |
| 40 | 40 | 34 | 2.6250-16 UN | 78.0 3.07 | 38.9 1.53 | 38.4 1.51 | 62.0 2.44 |

1. All entry sizes are shown in Table II. Maximum entry sizes are as shown in Table I. For larger entry sizes than the maximum, a Type II adapter may be supplied. See CH00-0250-016 for further details.
2. Adapter mates to: MIL-C-22992, Class C and R, MS17343, 44, 45 and 47 Connectors.

Table II

| Entry Size | Ø Z +0.25/-0.50 [+0.010/-0.020] | Ø S ±0.51 [±0.020] | Ø Y ±0.38 [±0.015] | E Max. |
|------------|---------------------------------------|--------------------------|--------------------------|--------------|
| 03 | 4.75 0.188 | 7.92 0.312 | 11.10 0.438 | 28.3 1.12 |
| 04 | 6.35 0.250 | 9.52 0.375 | 12.70 0.500 | 29.3 1.15 |
| 05 | 7.92 0.312 | 11.12 0.438 | 14.30 0.563 | 30.0 1.18 |
| 06 | 9.52 0.375 | 12.70 0.500 | 15.88 0.625 | 30.8 1.21 |
| 07 | 11.12 0.438 | 14.30 0.562 | 17.50 0.689 | 31.5 1.24 |
| 08 | 12.70 0.500 | 15.88 0.625 | 19.05 0.750 | 32.3 1.27 |
| 09 | 14.30 0.562 | 17.50 0.688 | 20.65 0.813 | 33.3 1.31 |
| 10 | 15.88 0.625 | 19.05 0.750 | 22.23 0.875 | 34.0 1.34 |
| 11 | 17.50 0.688 | 20.65 0.812 | 23.80 0.938 | 35.0 1.38 |
| 12 | 19.05 0.750 | 22.23 0.875 | 25.40 1.000 | 35.8 1.41 |
| 13 | 20.65 0.812 | 23.83 0.938 | 27.00 1.063 | 36.0 1.42 |
| 14 | 22.23 0.875 | 25.40 1.000 | 30.16 1.189 | 37.5 1.48 |

Table II (Continued)

| Entry Size | Ø Z +0.25/-0.50 [+0.010/-0.020] | Ø S ±0.51 [±0.020] | Ø Y ±0.38 [±0.015] | E Max. |
|------------|---------------------------------------|--------------------------|--------------------------|--------------|
| 15 | 23.83 .0938 | 27.00 1.062 | 31.75 1.250 | 37.8 1.49 |
| 16 | 25.40 1.000 | 28.58 1.125 | 33.34 1.313 | 38.3 1.51 |
| 18 | 28.58 1.125 | 31.75 1.250 | 36.51 1.438 | 39.8 1.57 |
| 20 | 31.75 1.250 | 34.90 1.375 | 39.69 1.563 | 41.3 1.63 |
| 22 | 34.90 1.375 | 38.10 1.500 | 42.86 1.688 | 43.0 1.69 |
| 24 | 38.10 1.500 | 41.28 1.625 | 46.83 1.844 | 44.5 1.75 |
| 26 | 41.28 1.625 | 44.45 1.750 | 49.61 1.953 | 46.3 1.82 |
| 28 | 44.45 1.750 | 47.63 1.875 | 52.78 2.078 | 48.3 1.90 |
| 30 | 47.65 1.875 | 50.80 2.000 | 56.36 2.219 | 50.0 1.97 |
| 32 | 50.80 2.000 | 54.00 2.125 | 59.53 2.344 | 51.5 2.03 |
| 34 | 54.00 2.125 | 57.15 2.250 | 62.71 2.469 | 53.3 2.10 |