

IGBT MODULE (S-Series)

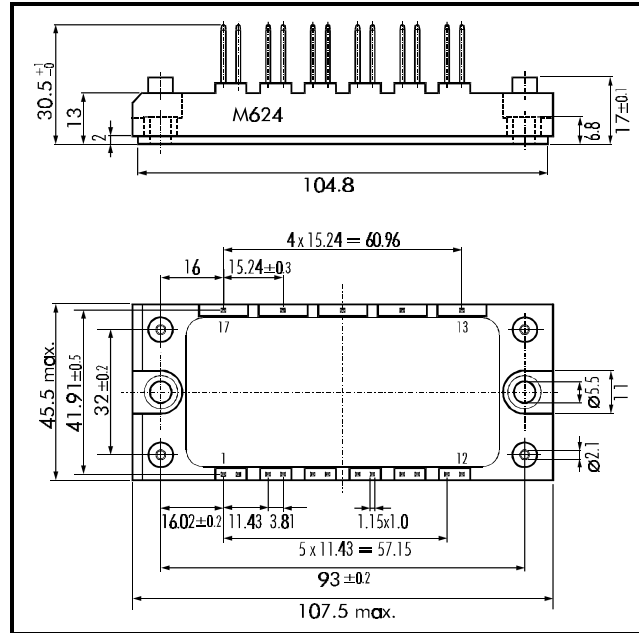
■ Features

- NPT-Technologie
- Solderable Package
- Square SC SOA at $10 \times I_C$
- High Short Circuit Withstand-Capability
- Small Temperature Dependence of the Turn-Off Switching Loss
- Low Losses And Soft Switching

■ Applications

- High Power Switching
- A.C. Motor Controls
- D.C. Motor Controls
- Uninterruptible Power Supply

■ Outline Drawing



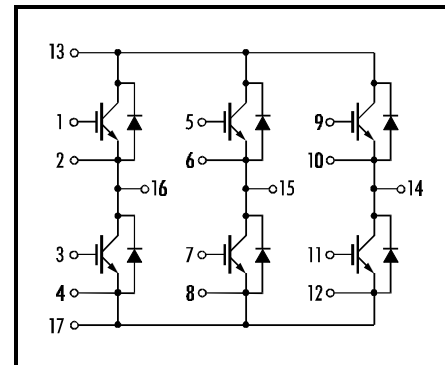
■ Maximum Ratings and Characteristics

• Absolute Maximum Ratings ($T_c=25^\circ\text{C}$)

Items	Symbols	Ratings	Units
Collector-Emitter Voltage	V_{CES}	1200	V
Gate -Emitter Voltage	V_{GES}	± 20	V
Collector Current (25°C / 80°C)	Continuous	I_C	50 / 35
	1ms	$I_{C\text{PULSE}}$	100 / 70
	Continuous	$-I_C$	50 / 35
1ms	$-I_{C\text{PULSE}}$	100 / 70	A
Max. Power Dissipation	P_C	280	W
Operating Temperature	T_j	+150	°C
Storage Temperature	T_{stg}	-40 ~ +125	°C
Isolation Voltage	A.C. 1min. V_{is}	2500	V
Screw Torque	Mounting *1	3.5	Nm

Note: *1:Recommendable Value; 2.5 - 3.5 Nm (M5)

■ Equivalent Circuit



• Electrical Characteristics (at $T_j=25^\circ\text{C}$)

Items	Symbols	Test Conditions	Min.	Typ.	Max.	Units
Zero Gate Voltage Collector Current	I_{CES}	$V_{GE}=0V$ $V_{CE}=1200V$			1.0	mA
Gate-Emitter Leakage Current	I_{GES}	$V_{CE}=0V$ $V_{GE}=\pm 20V$			200	μA
Gate-Emitter Threshold Voltage	$V_{GE(th)}$	$V_{GE}=20V$ $I_C=35mA$	6.0		9.0	V
Collector-Emitter Saturation Voltage	$V_{CE(sat)}$	$V_{GE}=15V$ $I_C=35A$		2.1		V
Input capacitance	C_{ies}	$V_{GE}=0V$		4200		pF
Output capacitance	C_{oes}	$V_{CE}=10V$				
Reverse Transfer capacitance	C_{res}	$f=1MHz$				
Turn-on Time	t_{ON}	$V_{CC}=600V$		0.60	1.2	μs
	t_r	$I_C=35A$		0.40	0.6	
Turn-off Time	t_{OFF}	$V_{GE}=\pm 15V$		0.45	1.0	
	t_f	$R_G=33\Omega$		0.10	0.3	
Diode Forward On-Voltage	V_F	$I_F=35A$ $V_{GE}=0V$			3.3	V
Reverse Recovery Time	t_{rr}	$I_F=35A$			350	ns

• Thermal Characteristics

Items	Symbols	Test Conditions	Min.	Typ.	Max.	Units
Thermal Resistance	$R_{th(j-c)}$	IGBT			0.44	°C/W
	$R_{th(j-e)}$	Diode			0.80	
	$R_{th(c-j)}$	With Thermal Compound		0.05		

For more information, contact:

Collmer Semiconductor, Inc.

P.O. Box 702708

Dallas, TX 75370

972-233-1589

972-233-0481 Fax

<http://www.collmer.com>