

## FEATURES

- **Faster Switching with Increased Efficiency**
- **Uses Small Inductors: 4.7 $\mu$ H**
- All Surface Mount Components
- Low Minimum Supply Voltage: 2.7V
- Quiescent Current: 4.5mA Typ
- Current Limited Power Switch: 6A
- Regulates Positive or Negative Outputs
- Shutdown Supply Current: 12 $\mu$ A Typ
- Easy External Synchronization
- Switch Resistance: 0.065 $\Omega$  Typ

## APPLICATIONS

- Boost Regulators
- Laptop Computer Supplies
- Multiple Output Flyback Supplies
- Inverting Supplies

## DESCRIPTION

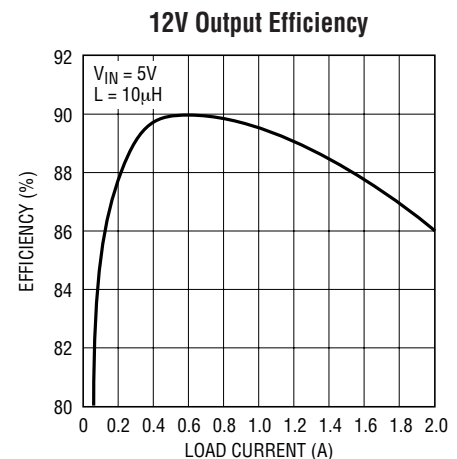
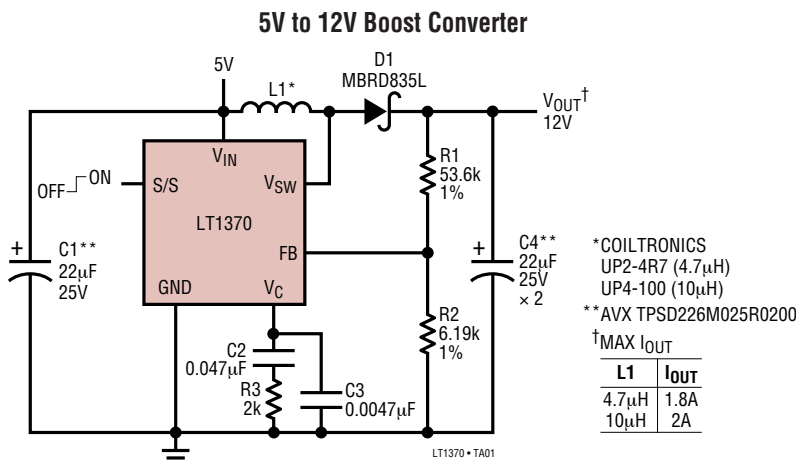
The LT<sup>®</sup>1370 is a monolithic high frequency current mode switching regulator. It can be operated in all standard switching configurations including boost, buck, flyback, forward, inverting and “Cuk.” A 6A high efficiency switch is included on the die, along with all oscillator, control and protection circuitry.

The LT1370 typically consumes only 4.5mA quiescent current and has higher efficiency than previous parts. High frequency switching allows for very small inductors to be used.

New design techniques increase flexibility and maintain ease of use. Switching is easily synchronized to an external logic level source. A logic low on the Shutdown pin reduces supply current to 12 $\mu$ A. Unique error amplifier circuitry can regulate positive or negative output voltage while maintaining simple frequency compensation techniques. Nonlinear error amplifier transconductance reduces output overshoot on start-up or overload recovery. Oscillator frequency shifting protects external components during overload conditions.

LT, LTC and LT are registered trademarks of Linear Technology Corporation.

## TYPICAL APPLICATION



## ABSOLUTE MAXIMUM RATINGS

Supply Voltage .....	30V	Operating Ambient Temperature Range .....	0°C to 70°C
Switch Voltage		Operating Junction Temperature Range	
LT1370 .....	35V	Commercial .....	0°C to 125°C
LT1370HV .....	42V	Industrial .....	-40°C to 125°C
S/S, SHDN, SYNC Pin Voltage .....	30V	Storage Temperature Range .....	-65°C to 150°C
Feedback Pin Voltage (Transient, 10ms) .....	±10V	Lead Temperature (Soldering, 10 sec) .....	300°C
Feedback Pin Current .....	10mA		
Negative Feedback Pin Voltage			
(Transient, 10ms) .....	±10V		

## PACKAGE/ORDER INFORMATION

<p><b>FRONT VIEW</b></p> <p><b>R PACKAGE</b> 7-LEAD PLASTIC DD</p> <p><math>T_{JMAX} = 125^{\circ}C</math>, <math>\theta_{JA} = 30^{\circ}C/W</math>, <math>\theta_{JC} = 4^{\circ}C/W</math></p> <p>WITH PACKAGE SOLDERED TO 0.5 INCH<sup>2</sup> COPPER AREA OVER BACKSIDE GROUND PLANE OR INTERNAL POWER PLANE. <math>\theta_{JA}</math> CAN VARY FROM 20°C/W TO &gt;40°C/W DEPENDING ON MOUNTING TECHNIQUE</p>	<p><b>ORDER PART NUMBER</b></p> <p>LT1370CR LT1370HVCR LT1370IR LT1370HVIR</p>	<p><b>FRONT VIEW</b></p> <p><b>T7 PACKAGE</b> 7-LEAD TO-220</p> <p><math>T_{JMAX} = 125^{\circ}C</math>, <math>\theta_{JA} = 50^{\circ}C/W</math>, <math>\theta_{JC} = 4^{\circ}C/W</math></p>	<p><b>ORDER PART NUMBER</b></p> <p>LT1370CT7 LT1370HVCT7 LT1370IT7 LT1370HVIT7</p>
--	--	--	--

Consult factory for Military grade parts.

## ELECTRICAL CHARACTERISTICS

$V_{IN} = 5V$ ,  $V_C = 0.6V$ ,  $V_{FB} = V_{REF}$ ,  $V_{SW}$ , S/S and NFB pins open,  $T_A = 25^{\circ}C$  unless otherwise noted.

SYMBOL	PARAMETER	CONDITIONS	MIN	TYP	MAX	UNITS	
$V_{REF}$	Reference Voltage	Measured at Feedback Pin $V_C = 0.8V$	●	1.230	1.245	1.260	V
			●	1.225	1.245	1.265	V
$I_{FB}$	Feedback Input Current	$V_{FB} = V_{REF}$	●		250	550	nA
			●			900	nA
	Reference Voltage Line Regulation	$2.7V \leq V_{IN} \leq 25V$ , $V_C = 0.8V$	●	0.01	0.03	%/V	
$V_{NFR}$	Negative Feedback Reference Voltage	Measured at Negative Feedback Pin Feedback Pin Open, $V_C = 0.8V$	●	-2.525	-2.48	-2.435	V
			●	-2.560	-2.48	-2.400	V
$I_{NFB}$	Negative Feedback Input Current	$V_{NFB} = V_{NFR}$	●	-45	-30	-15	μA
			●		0.01	0.05	%/V
$g_m$	Error Amplifier Transconductance	$\Delta I_C = \pm 25\mu A$	●	1100	1500	1900	μmho
			●	700		2300	μmho
	Error Amplifier Source Current	$V_{FB} = V_{REF} - 150mV$ , $V_C = 1.5V$	●	120	200	350	μA
	Error Amplifier Sink Current	$V_{FB} = V_{REF} + 150mV$ , $V_C = 1.5V$	●		1400	2400	μA

## ELECTRICAL CHARACTERISTICS

$V_{IN} = 5V$ ,  $V_C = 0.6V$ ,  $V_{FB} = V_{REF}$ ,  $V_{SW}$ , S/S and NFB pins open,  $T_A = 25^\circ C$  unless otherwise noted.

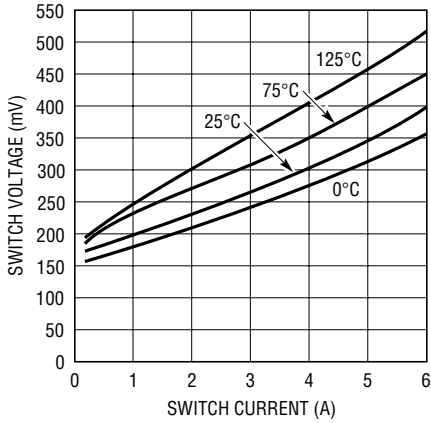
SYMBOL	PARAMETER	CONDITIONS	MIN	TYP	MAX	UNITS
	Error Amplifier Clamp Voltage	High Clamp, $V_{FB} = 1V$	1.5	1.8	2.30	V
		Low Clamp, $V_{FB} = 1.5V$	0.2	0.3	0.52	V
$A_V$	Error Amplifier Voltage Gain			500		V/V
	$V_C$ Pin Threshold	Duty Cycle = 0%	0.9	1.1	1.35	V
f	Switching Frequency	$2.7V \leq V_{IN} \leq 25V$	460	500	550	kHz
		$0^\circ C \leq T_J \leq 125^\circ C$	440	500	580	kHz
		$-40^\circ C \leq T_J \leq 0^\circ C$ (I-Grade)	400		580	kHz
	Maximum Switch Duty Cycle		85	95		%
	Switch Current Limit Blanking Time			130	300	ns
BV	Output Switch Breakdown Voltage	LT1370	35	44		V
		LT1370HVC, $0^\circ C \leq T_J \leq 125^\circ C$	42	47		V
		LT1370HVI, $-40^\circ C \leq T_J \leq 0^\circ C$ (I-Grade)	40			V
$V_{SAT}$	Output Switch ON Resistance	$I_{SW} = 6A$		0.065	0.11	$\Omega$
$I_{LIM}$	Switch Current Limit	Duty Cycle = 50%	6	8	10	A
		Duty Cycle = 80% (Note 1)		7		A
$\frac{\Delta I_{IN}}{\Delta I_{SW}}$	Supply Current Increase During Switch ON Time			22	33	mA/A
		Control Voltage to Switch Current Transconductance		10		A/V
	Minimum Input Voltage			2.4	2.7	V
$I_Q$	Supply Current	$2.7V \leq V_{IN} \leq 25V$		4.5	6	mA
	Shutdown Supply Current	$2.7V \leq V_{IN} \leq 25V$ , $V_{S/S} \leq 0.6V$		12	40	$\mu A$
	Shutdown Threshold	$2.7V \leq V_{IN} \leq 25V$	0.6	1.3	2	V
	Shutdown Delay		4	12	25	$\mu s$
	S/S Input Current	$0V \leq S/S \leq 5V$	-7		10	$\mu A$
	Synchronization Frequency Range		600		800	kHz

The ● denotes specifications which apply over the full operating temperature range.

**Note 1:** For duty cycles (DC) between 45% and 85%, minimum switch current limit is given by  $I_{LIM} = 2.65(2.7 - DC)$ .

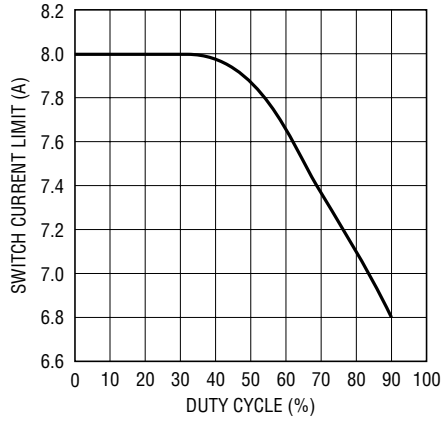
# TYPICAL PERFORMANCE CHARACTERISTICS

**Switch Saturation Voltage vs Switch Current**



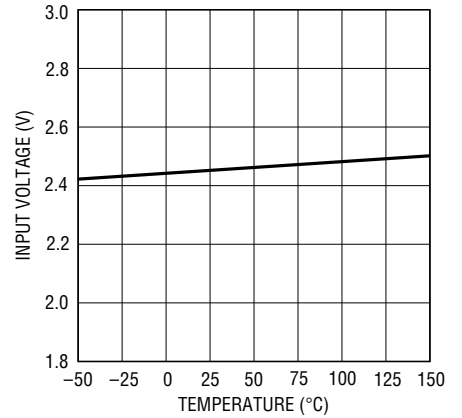
LT1370 • G01

**Switch Current Limit vs Duty Cycle**



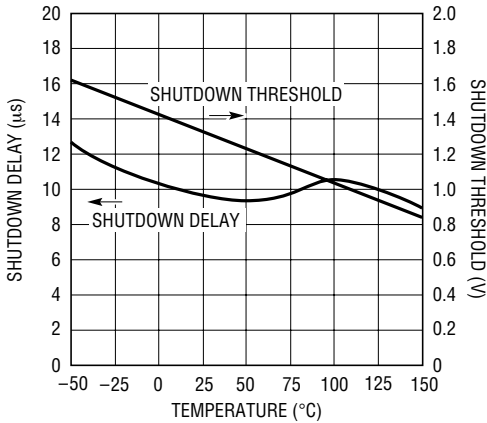
LT1370 • G02

**Minimum Input Voltage vs Temperature**



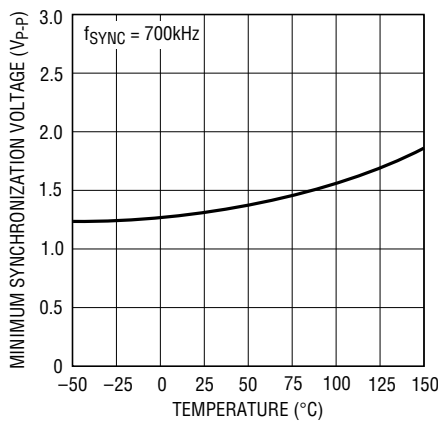
LT1370 • G03

**Shutdown Delay and Threshold vs Temperature**



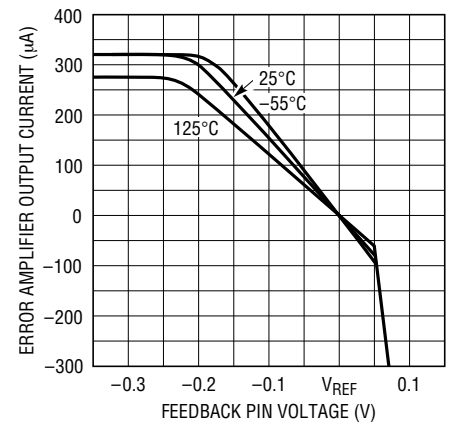
LT1370 • G04

**Minimum Synchronization Voltage vs Temperature**



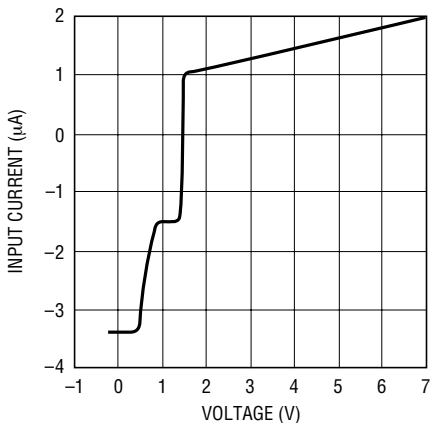
LT1370 • G05

**Error Amplifier Output Current vs Feedback Pin Voltage**



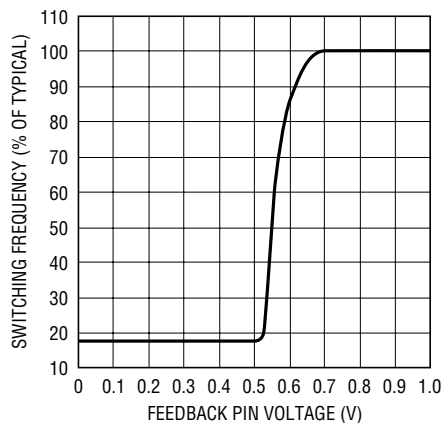
LT1370 • G06

**S/S Pin Input Current vs Voltage**



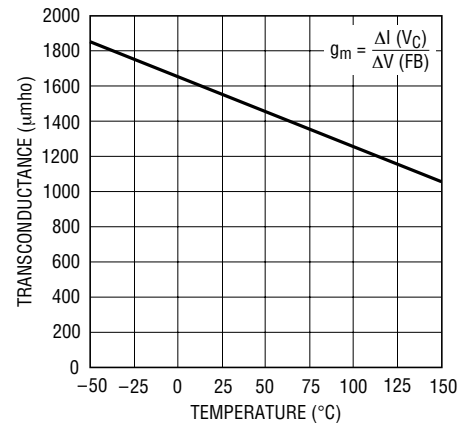
LT1370 • G07

**Switching Frequency vs Feedback Pin Voltage**



LT1370 • G08

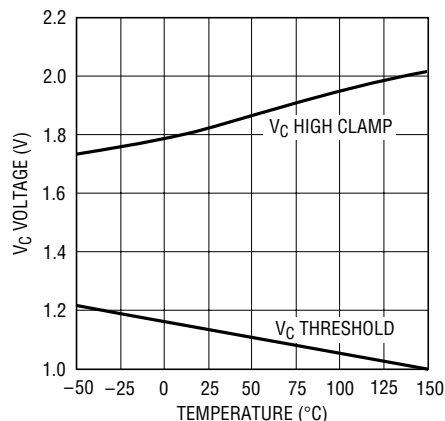
**Error Amplifier Transconductance vs Temperature**



LT1370 • G09

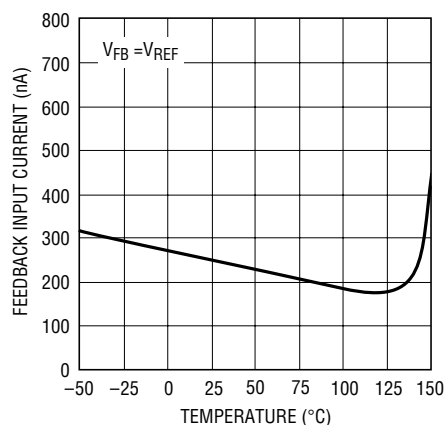
## TYPICAL PERFORMANCE CHARACTERISTICS

**V<sub>C</sub> Pin Threshold and High Clamp Voltage vs Temperature**



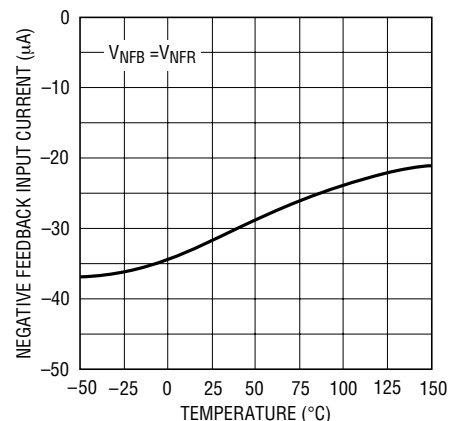
LT1370 • G10

**Feedback Input Current vs Temperature**



LT1370 • G11

**Negative Feedback Input Current vs Temperature**



LT1370 • G12

## PIN FUNCTIONS

**V<sub>C</sub>:** The Compensation pin is used for frequency compensation, current limiting and soft start. It is the output of the error amplifier and the input of the current comparator. Loop frequency compensation can be performed with an RC network connected from the V<sub>C</sub> pin to ground. See Applications Information.

**FB:** The Feedback pin is used for positive output voltage sensing and oscillator frequency shifting. It is the inverting input to the error amplifier. The noninverting input of this amplifier is internally tied to a 1.245V reference.

**NFB:** The Negative Feedback pin is used for negative output voltage sensing. It is connected to the inverting input of the negative feedback amplifier through a 100k source resistor.

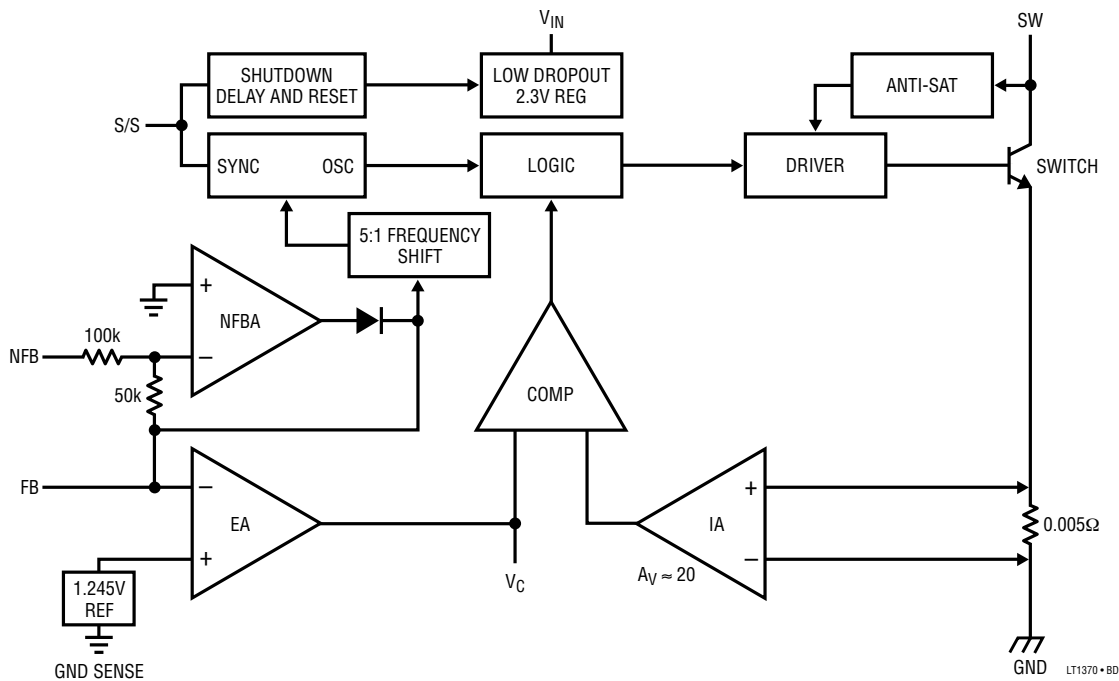
**S/S:** Shutdown and Synchronization Pin. The S/S pin is logic level compatible. Shutdown is active low and the shutdown threshold is typically 1.3V. For normal operation, pull the S/S pin high, tie it to V<sub>IN</sub> or leave it floating. To synchronize switching, drive the S/S pin between 600kHz and 800kHz. See Applications Information.

**V<sub>IN</sub>:** Bypass Input Supply Pin with a Low ESR Capacitor, 10µF or More. The regulator goes into undervoltage lockout when V<sub>IN</sub> drops below 2.5V. Undervoltage lockout stops switching and pulls the V<sub>C</sub> pin low.

**V<sub>SW</sub>:** The Switch pin is the collector of the power switch and has large currents flowing through it. Keep the traces to the switching components as short as possible to minimize radiation and voltage spikes.

**GND:** Tie all ground pins to a good quality ground plane. See Applications Information.

## BLOCK DIAGRAM



## OPERATION

The LT1370 is a current mode switch. This means that switch duty cycle is directly controlled by switch current rather than by output voltage. Referring to the block diagram, the switch is turned ON at the start of each oscillator cycle. It is turned OFF when switch current reaches a predetermined level. Control of output voltage is obtained by using the output of a voltage sensing error amplifier to set current trip level. This technique has several advantages. First, it has immediate response to input voltage variations, unlike voltage mode switches which have notoriously poor line transient response. Second, it reduces the 90° phase shift at midfrequencies in the energy storage inductor. This greatly simplifies closed-loop frequency compensation under widely varying input voltage or output load conditions. Finally, it allows simple pulse-by-pulse current limiting to provide maximum switch protection under output overload or short conditions. A low dropout internal regulator provides a 2.3V supply for all internal circuitry. This low dropout design allows input voltage to vary from 2.7V to 25V with virtually no change in device performance. A

500kHz oscillator is the basic clock for all internal timing. It turns on the output switch via the logic and driver circuitry. Special adaptive antisat circuitry detects onset of saturation in the power switch and adjusts driver current instantaneously to limit switch saturation. This minimizes driver dissipation and provides very rapid turn-off of the switch.

A 1.245V bandgap reference biases the positive input of the error amplifier. The negative input of the amplifier is brought out for positive output voltage sensing. The error amplifier has nonlinear transconductance to reduce output overshoot on start-up or overload recovery. When the feedback voltage exceeds the reference by 40mV, error amplifier transconductance increases 10 times, which reduces output overshoot. The feedback input also invokes oscillator frequency shifting, which helps protect components during overload conditions. When the feedback voltage drops below 0.6V, the oscillator frequency is reduced 5:1. Lower switching frequency allows full control of switch current limit by reducing minimum switch duty cycle.

## OPERATION

Unique error amplifier circuitry allows the LT1370 to directly regulate negative output voltages. The negative feedback amplifier's 100k source resistor is brought out for negative output voltage sensing. The NFB pin regulates at  $-2.48\text{V}$  while the amplifier output internally drives the FB pin to  $1.245\text{V}$ . This architecture, which uses the same main error amplifier, prevents duplicating functions and maintains ease of use. Consult LTC Marketing for units that can regulate down to  $-1.25\text{V}$ .

The error signal developed at the amplifier output is brought out externally. This pin ( $V_C$ ) has three different

functions. It is used for frequency compensation, current limit adjustment and soft starting. During normal regulator operation this pin sits at a voltage between  $1\text{V}$  (low output current) and  $1.9\text{V}$  (high output current). The error amplifier is a current output ( $g_m$ ) type, so this voltage can be externally clamped for lowering current limit. Likewise, a capacitor coupled external clamp will provide soft start. Switch duty cycle goes to zero if the  $V_C$  pin is pulled below the control pin threshold, placing the LT1370 in an idle mode.

## APPLICATIONS INFORMATION

### Positive Output Voltage Setting

The LT1370 develops a  $1.245\text{V}$  reference ( $V_{REF}$ ) from the FB pin to ground. Output voltage is set by connecting the FB pin to an output resistor divider (Figure 1). The FB pin bias current represents a small error and can usually be ignored for values of  $R_2$  up to  $7\text{k}$ . The suggested value for  $R_2$  is  $6.19\text{k}$ . The NFB pin is normally left open for positive output applications. Positive fixed voltage versions are available (consult LTC Marketing).

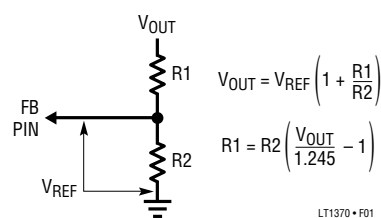
### Negative Output Voltage Setting

The LT1370 develops a  $-2.48\text{V}$  reference ( $V_{NFB}$ ) from the NFB pin to ground. Output voltage is set by connecting the NFB pin to an output resistor divider (Figure 2). The  $-30\mu\text{A}$  NFB pin bias current ( $I_{NFB}$ ) can cause output voltage errors and should not be ignored. This has been accounted for in the formula in Figure 2. The suggested value for  $R_2$  is  $2.49\text{k}$ . The FB pin is normally left open for negative output applications.

### Dual Polarity Output Voltage Sensing

Certain applications benefit from sensing both positive and negative output voltages. One example is the "Dual Output Flyback Converter with Overvoltage Protection" circuit shown in the Typical Applications section. Each output voltage resistor divider is individually set as described above. When both the FB and NFB pins are used,

the LT1370 acts to prevent either output from going beyond its set output voltage. For example, in this application if the positive output were more heavily loaded than the negative, the negative output would be greater and would regulate at the desired set-point voltage. The positive output would sag slightly below its set-point voltage. This technique prevents either output from going unregulated high at no load.

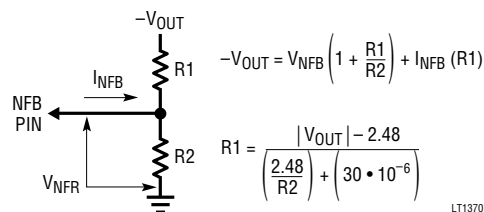


$$V_{OUT} = V_{REF} \left( 1 + \frac{R_1}{R_2} \right)$$

$$R_1 = R_2 \left( \frac{V_{OUT}}{1.245} - 1 \right)$$

LT1370 • F01

Figure 1. Positive Output Resistor Divider



$$-V_{OUT} = V_{NFB} \left( 1 + \frac{R_1}{R_2} \right) + I_{NFB} (R_1)$$

$$R_1 = \frac{|V_{OUT}| - 2.48}{\left( \frac{2.48}{R_2} \right) + (30 \cdot 10^{-6})}$$

LT1370 • F02

Figure 2. Negative Output Resistor Divider



## APPLICATIONS INFORMATION

### Shutdown and Synchronization

The device has a dual function S/S pin which is used for both shutdown and synchronization. This pin is logic level compatible and can be pulled high, tied to  $V_{IN}$  or left floating for normal operation. A logic low on the S/S pin activates shutdown, reducing the part's supply current to  $12\mu\text{A}$ . Typical synchronization range is from 1.05 to 1.8 times the part's natural switching frequency, but is only guaranteed between 600kHz and 800kHz. A  $12\mu\text{s}$  resettable shutdown delay network guarantees the part will not go into shutdown while receiving a synchronization signal.

Caution should be used when synchronizing above 700kHz because at higher sync frequencies the amplitude of the internal slope compensation used to prevent subharmonic switching is reduced. This type of subharmonic switching only occurs when the duty cycle of the switch is above 50%. Higher inductor values will tend to eliminate this problem.

### Thermal Considerations

Care should be taken to ensure that the worst-case input voltage and load current conditions do not cause excessive die temperatures. Typical thermal resistance is  $30^\circ\text{C/W}$  for the R package and  $50^\circ\text{C/W}$  for the T7 package but these numbers will vary depending on the mounting techniques (copper area, airflow, etc.). Heat is transferred from the package via the tab.

Average supply current (including driver current) is:

$$I_{IN} = 4.5\text{mA} + \text{DC}(I_{SW}/45)$$

$$I_{SW} = \text{Switch current}$$

$$\text{DC} = \text{Switch duty cycle}$$

Switch power dissipation is given by:

$$P_{SW} = (I_{SW})^2(R_{SW})(\text{DC})$$

$$R_{SW} = \text{Output switch ON resistance}$$

Total power dissipation of the die is the sum of supply current times supply voltage, plus switch power:

$$P_{D(\text{TOTAL})} = (I_{IN})(V_{IN}) + P_{SW}$$

Surface mount heat sinks are available which can lower package thermal resistance by two or three times. One manufacturer, Wakefield Engineering, offers surface mount heat sinks for the R package and can be reached at (617) 245-5900 or at [www.wakefield.com](http://www.wakefield.com).

### Choosing the Inductor

For most applications the inductor will fall in the range of  $2.2\mu\text{H}$  to  $22\mu\text{H}$ . Lower values are chosen to reduce physical size of the inductor. Higher values allow more output current because they reduce peak current seen by the power switch, which has a 6A limit. Higher values also reduce input ripple voltage and reduce core loss.

When choosing an inductor you need to consider maximum load current, core and copper losses, allowable component height, output voltage ripple, EMI, fault current in the inductor, saturation and, of course, cost. The following procedure is suggested as a way of handling these somewhat complicated and conflicting requirements.

1. Assume that the average inductor current for a boost converter is equal to load current times  $V_{OUT}/V_{IN}$  and decide whether or not the inductor must withstand continuous overload conditions. If average inductor current at maximum load current is 3A, for instance, a 3A inductor may not survive a continuous 6A overload condition. Also be aware that boost converters are not short-circuit protected and that, under output short conditions, inductor current is limited only by the available current of the input supply.
2. Calculate peak inductor current at full load current to ensure that the inductor will not saturate. Peak current can be significantly higher than output current, especially with smaller inductors and lighter loads, so don't omit this step. Powdered iron cores are forgiving because they saturate softly, whereas ferrite cores saturate abruptly and other core materials fall in between. The following formula assumes continuous mode operation but it errs only slightly on the high side for discontinuous mode, so it can be used for all conditions.



## APPLICATIONS INFORMATION

$$I_{PEAK} = (I_{OUT}) \left( \frac{V_{OUT}}{V_{IN}} \right) + \frac{V_{IN}(V_{OUT} - V_{IN})}{2(f)(L)(V_{OUT})}$$

$V_{IN}$  = Minimum input voltage  
 $f$  = 500kHz switching frequency

- Decide if the design can tolerate an “open” core geometry, like a rod or barrel, which has high magnetic field radiation, or whether it needs a closed core, like a toroid, to prevent EMI problems. One would not want an open core next to a magnetic storage media, for instance! This is a tough decision because the rods or barrels are temptingly cheap and small and there are no helpful guidelines to calculate when the magnetic field radiation will be a problem.
- Start shopping for an inductor that meets the requirements of core shape, peak current (to avoid saturation), average current (to limit heating) and fault current. If the inductor gets too hot, wire insulation will melt and cause turn-to-turn shorts. Keep in mind that all good things like high efficiency, low profile and high temperature operation will increase cost, sometimes dramatically.
- After making an initial choice, consider the secondary things like output voltage ripple, second sourcing, etc. Use the experts in the LTC Applications Department if you feel uncertain about the final choice. They have experience with a wide range of inductor types and can tell you about the latest developments in low profile, surface mounting, etc.

### Output Capacitor

The output capacitor is normally chosen by its effective series resistance (ESR), because this is what determines output ripple voltage. At 500kHz any polarized capacitor is essentially resistive. To get low ESR takes *volume*, so physically smaller capacitors have high ESR. The ESR range needed for typical LT1370 applications is 0.025Ω to 0.2Ω. A typical output capacitor is an AVX type TPS, 22μF at 25V (two each), with a guaranteed ESR less than 0.2Ω. This is a “D” size surface mount solid tantalum capacitor. TPS capacitors are specially constructed and

tested for low ESR, so they give the lowest ESR for a given volume. To further reduce ESR, multiple output capacitors can be used in parallel. The value in microfarads is not particularly critical, and values from 22μF to greater than 500μF work well, but you cannot cheat mother nature on ESR. If you find a tiny 22μF solid tantalum capacitor, it will have high ESR and output ripple voltage will be terrible. Table 1 shows some typical solid tantalum surface mount capacitors.

**Table 1. Surface Mount Solid Tantalum Capacitor ESR and Ripple Current**

E CASE SIZE	ESR (MAX Ω)	RIPPLE CURRENT (A)
AVX TPS, Sprague 593D	0.1 to 0.3	0.7 to 1.1
AVX TAJ	0.7 to 0.9	0.4
D CASE SIZE		
AVX TPS, Sprague 593D	0.1 to 0.3	0.7 to 1.1
AVX TAJ	0.9 to 2.0	0.36 to 0.24
C CASE SIZE		
AVX TPS	0.2 (Typ)	0.5 (Typ)
AVX TAJ	1.8 to 3.0	0.22 to 0.17
B CASE SIZE		
AVX TAJ	2.5 to 10	0.16 to 0.08

Many engineers have heard that solid tantalum capacitors are prone to failure if they undergo high surge currents. This is historically true and AVX type TPS capacitors are specially tested for surge capability, but surge ruggedness is not a critical issue with the *output* capacitor. Solid tantalum capacitors fail during very high *turn-on* surges, which do not occur at the output of regulators. High *discharge* surges, such as when the regulator output is dead-shortened, do not harm the capacitors.

Single inductor boost regulators have large RMS ripple current in the output capacitor, which must be rated to handle the current. The formula to calculate this is:

Output Capacitor Ripple Current (RMS)

$$I_{RIPPLE} (RMS) = I_{OUT} \sqrt{\frac{DC}{1 - DC}}$$

$$= I_{OUT} \sqrt{\frac{V_{OUT} - V_{IN}}{V_{IN}}}$$

DC = Switch duty cycle

## APPLICATIONS INFORMATION

### Input Capacitors

The input capacitor of a boost converter is less critical due to the fact that the input current waveform is triangular and does not contain large squarewave currents as is found in the output capacitor. Capacitors in the range of 10 $\mu$ F to 100 $\mu$ F with an ESR of 0.1 $\Omega$  or less work well up to full 6A switch current. Higher ESR capacitors may be acceptable at low switch currents. Input capacitor ripple current for a boost converter is :

$$I_{\text{RIPPLE}} = \frac{0.3(V_{\text{IN}})(V_{\text{OUT}} - V_{\text{IN}})}{(f)(L)(V_{\text{OUT}})}$$

f = 500kHz switching frequency

The input capacitor can see a very high surge current when a battery or high capacitance source is connected “live” and solid tantalum capacitors can fail under this condition. Several manufacturers have developed tantalum capacitors specially tested for surge capability (AVX TPS series, for instance) but even these units may fail if the input voltage approaches the maximum voltage rating of the capacitor during a high surge. AVX recommends derating capacitor voltage by 2:1 for high surge applications. Ceramic, OS-CON and aluminum electrolytic capacitors may also be used and have a high tolerance to turn-on surges.

### Ceramic Capacitors

Higher value, lower cost ceramic capacitors are now becoming available in smaller case sizes. These are tempting for switching regulator use because of their very low ESR. Unfortunately, the ESR is so low that it can cause loop stability problems. Solid tantalum capacitor ESR generates a loop “zero” at 5kHz to 50kHz that is instrumental in giving acceptable loop phase margin. Ceramic capacitors remain capacitive to beyond 300kHz and usually resonate with their ESL before ESR becomes effective. They are appropriate for input bypassing because of their high ripple current ratings and tolerance of turn-on surges.

### Output Diode

The suggested output diode (D1) is a Motorola MBRD835L. It is rated at 8A average forward current and 35V reverse voltage. Typical forward voltage is 0.4V at 3A. The diode conducts current only during switch OFF time. Peak reverse voltage for boost converters is equal to regulator output voltage. Average forward current in normal operation is equal to output current.

### Frequency Compensation

Loop frequency compensation is performed on the output of the error amplifier ( $V_C$  pin) with a series RC network. The main pole is formed by the series capacitor and the output impedance ( $\approx 500k\Omega$ ) of the error amplifier. The pole falls in the range of 2Hz to 20Hz. The series resistor creates a “zero” at 1kHz to 5kHz, which improves loop stability and transient response. A second capacitor, typically one-tenth the size of the main compensation capacitor, is sometimes used to reduce the switching frequency ripple on the  $V_C$  pin.  $V_C$  pin ripple is caused by output voltage ripple attenuated by the output divider and multiplied by the error amplifier. Without the second capacitor,  $V_C$  pin ripple is:

$$V_C \text{ Pin Ripple} = \frac{1.245(V_{\text{RIPPLE}})(g_m)(R_C)}{(V_{\text{OUT}})}$$

$V_{\text{RIPPLE}}$  = Output ripple ( $V_{P-P}$ )

$g_m$  = Error amplifier transconductance  
( $\approx 1500\mu\text{mho}$ )

$R_C$  = Series resistor on  $V_C$  pin

$V_{\text{OUT}}$  = DC output voltage

To prevent irregular switching,  $V_C$  pin ripple should be kept below 50mV $_{P-P}$ . Worst-case  $V_C$  pin ripple occurs at maximum output load current and will also be increased if poor quality (high ESR) output capacitors are used. The addition of a 0.0047 $\mu$ F capacitor on the  $V_C$  pin reduces switching frequency ripple to only a few millivolts. A low value for  $R_C$  will also reduce  $V_C$  pin ripple, but loop phase margin may be inadequate.

## APPLICATIONS INFORMATION

### Layout Considerations

For maximum efficiency, LT1370 switch rise and fall times are made as short as possible. To prevent radiation and high frequency resonance problems, proper layout of the components connected to the switch node is essential. B field (magnetic) radiation is minimized by keeping output diode, switch pin and output bypass capacitor leads as short as possible. Figure 3 shows recommended positions for these components. E field radiation is kept low by minimizing the length and area of all traces connected to the switch pin. A ground plane should always be used under the switcher circuitry to prevent interplane coupling.

The high speed switching current path is shown schematically in Figure 4. Minimum lead length in this path is essential to ensure clean switching and low EMI. The path including the switch, output diode and output capacitor is the only one containing nanosecond rise and fall times. Keep this path as short as possible.

### More Help

For more detailed information on switching regulator circuits, please see Application Note 19. Linear Technology also offers a computer software program, SwitcherCAD™, to assist in designing switching converters. In addition, our Applications Department is always ready to lend a helping hand.

SwitcherCAD is a trademark of Linear Technology Corporation.

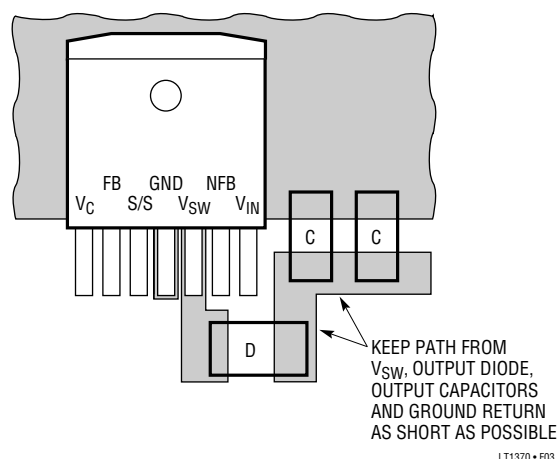


Figure 3. Layout Considerations—R Package

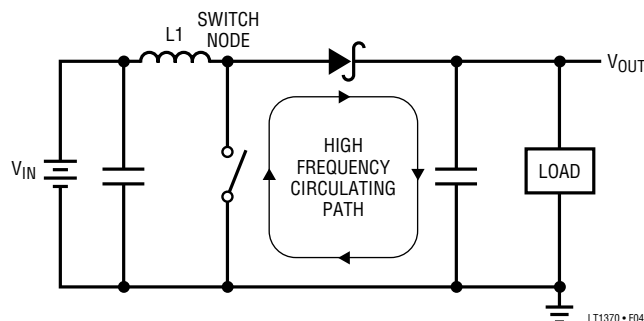
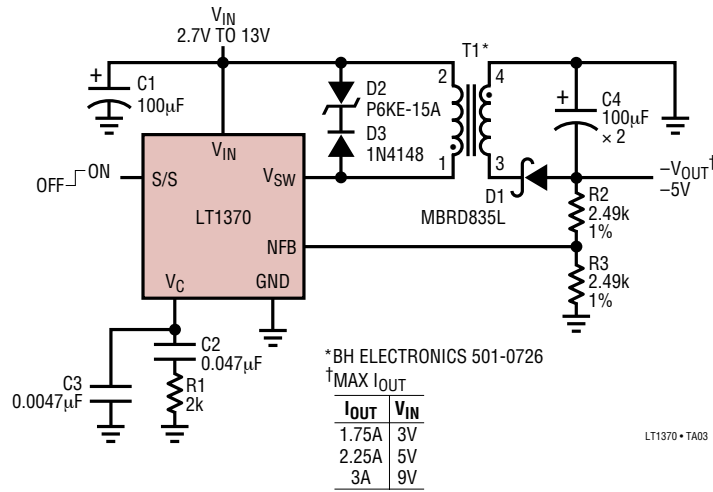


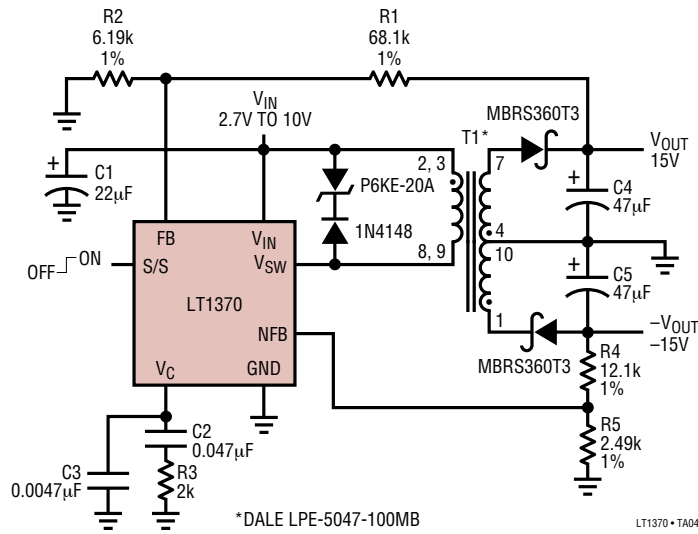
Figure 4

TYPICAL APPLICATIONS

Positive-to-Negative Converter with Direct Feedback

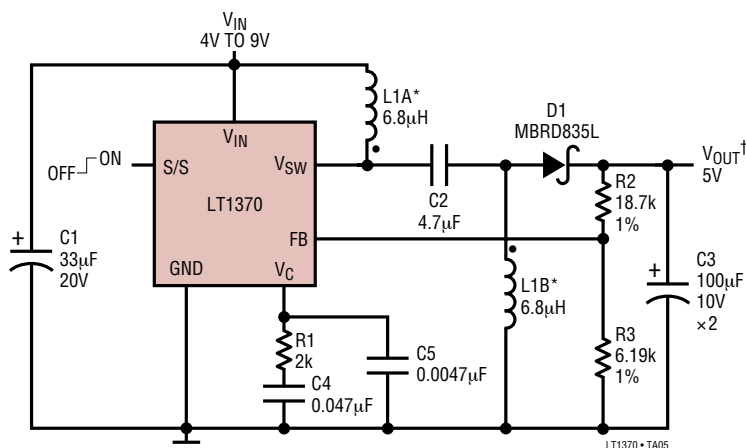


Dual Output Flyback Converter with Overvoltage Protection



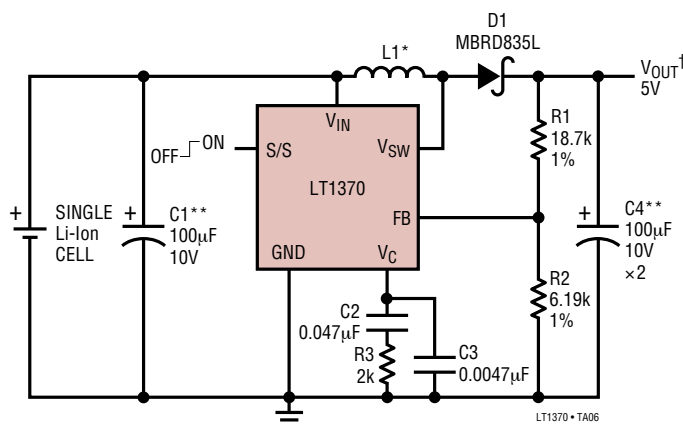
# TYPICAL APPLICATIONS

Two Li-Ion Cells to 5V SEPIC Converter\*\*



- C1 = AVX TPSD 336M020R0200
  - C2 = TOKIN 1E475ZY5U-C304
  - C3 = AVX TPSD107M010R0100
  - \* BH ELECTRONICS 501-0726
  - \*\* INPUT VOLTAGE MAY BE GREATER OR LESS THAN OUTPUT VOLTAGE
- | †MAX I <sub>OUT</sub> |                 |
|-----------------------|-----------------|
| I <sub>OUT</sub>      | V <sub>IN</sub> |
| 2A                    | 4V              |
| 2.2A                  | 5V              |
| 2.6A                  | 7V              |
| 2.8A                  | 9V              |

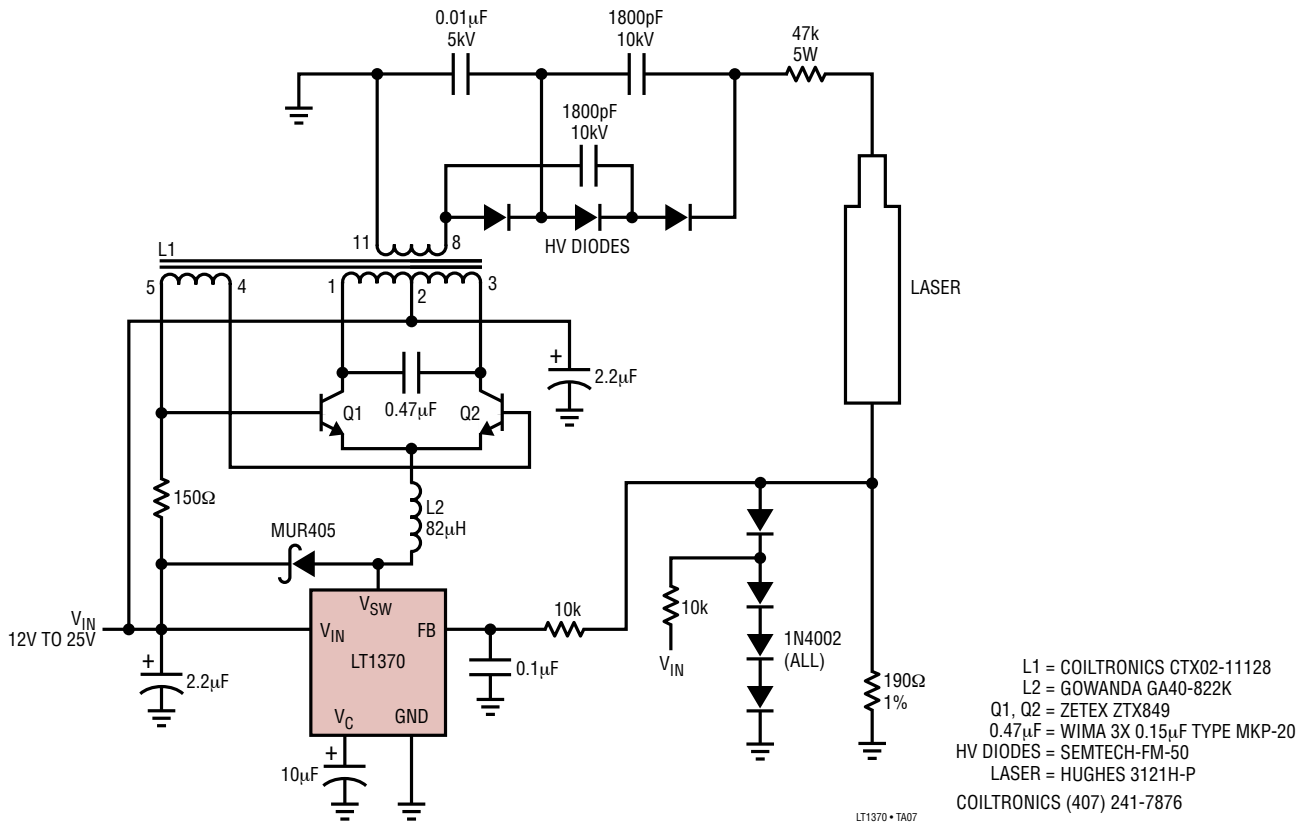
Single Li-Ion Cell to 5V



- \* COILCRAFT D03316P-472
  - \*\* AVX TPSD107M010R0100
- | †MAX I <sub>OUT</sub> |                 |
|-----------------------|-----------------|
| I <sub>OUT</sub>      | V <sub>IN</sub> |
| 2.5A                  | 2.7V            |
| 3A                    | 3.3V            |
| 3.3A                  | 3.6V            |

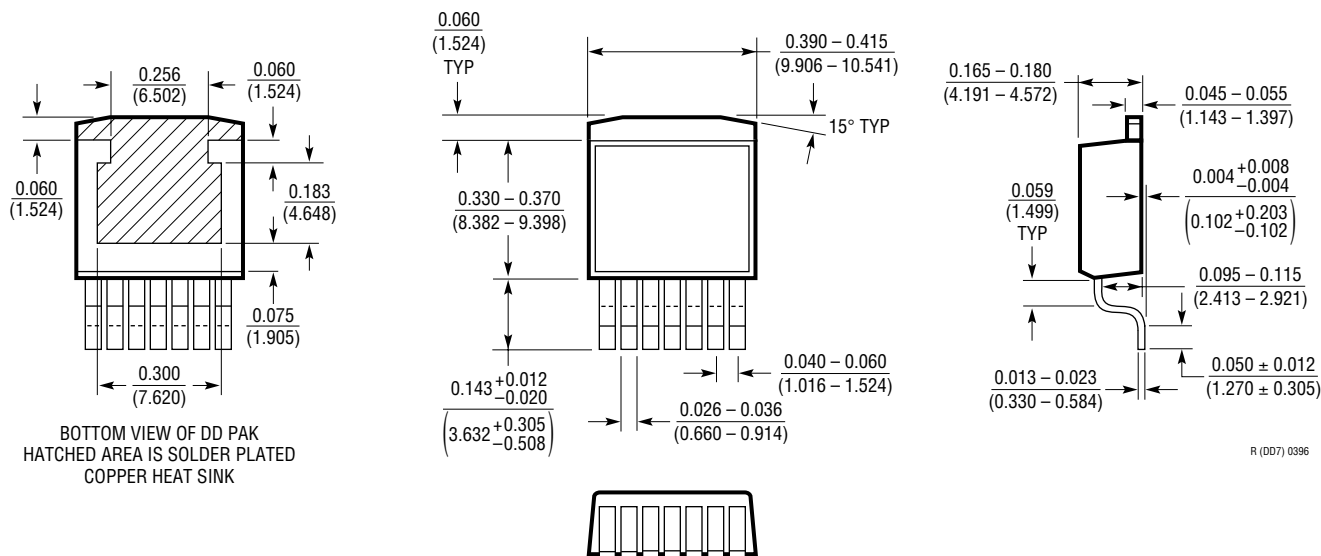
TYPICAL APPLICATIONS

Laser Power Supply

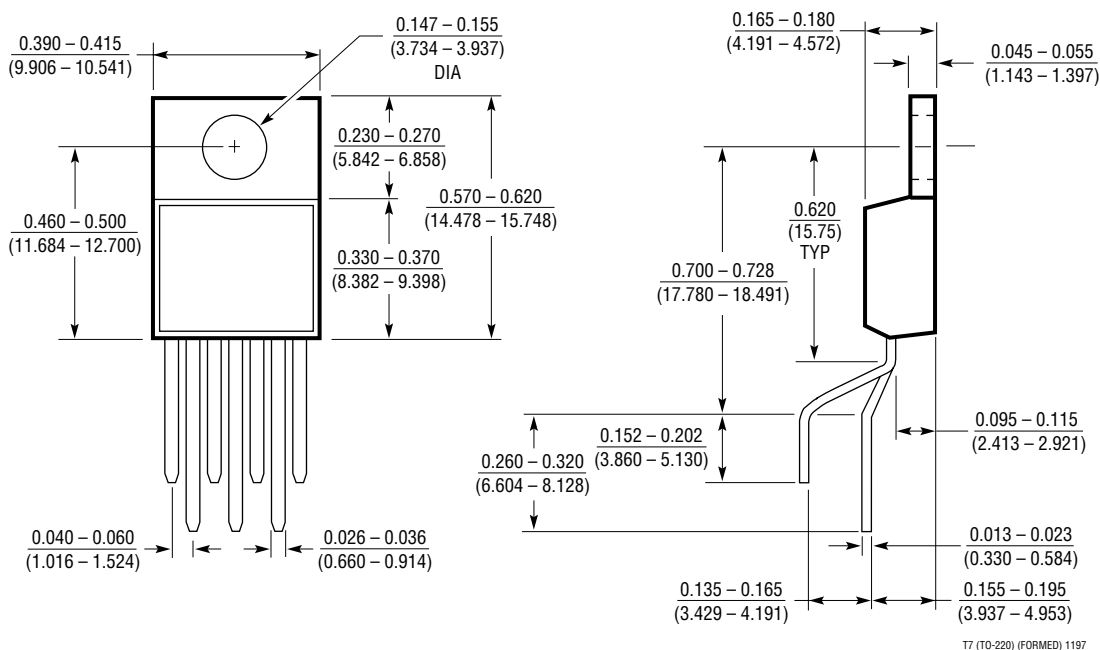


**PACKAGE DESCRIPTION** Dimensions in inches (millimeters) unless otherwise noted.

**R Package**  
**7-Lead Plastic DD Pak**  
 (LTC DWG # 05-08-1462)



**T7 Package**  
**7-Lead Plastic TO-220 (Standard)**  
 (LTC DWG # 05-08-1422)





**RELATED PARTS**

PART NUMBER	DESCRIPTION	COMMENTS
LT1171	100kHz 2.5A Boost Switching Regulator	Good for Up to $V_{IN} = 40V$
LTC®1265	12V 1.2A Monolithic Buck Converter	Converts 5V to 3.3V at 1A with 90% Efficiency
LT1302	Micropower 2A Boost Converter	Converts 2V to 5V at 600mA in SO-8 Packages
LT1372	500kHz 1.5A Boost Switching Regulator	Also Regulates Negative Flyback Outputs
LT1373	Low Supply Current 250kHz 1.5A Boost Switching Regulator	90% Efficient Boost Converter with Constant Frequency
LT1374	500kHz 4.5A Buck Switching Regulator	Converts 12V to 3.3V at 2.5A in SO-8 Package
LT1376	500kHz 1.5A Buck Switching Regulator	Steps Down from Up to 25V Using 4.7 $\mu$ H Inductors
LT1512	500kHz 1.5A SEPIC Battery Charger	Input Voltage May Be Greater or Less Than Battery Voltage
LT1513	500kHz 3A SEPIC Battery Charger	Input Voltage May Be Greater or Less Than Battery Voltage