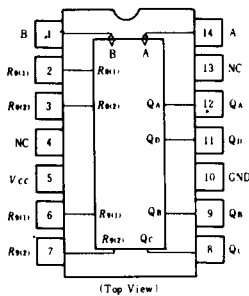


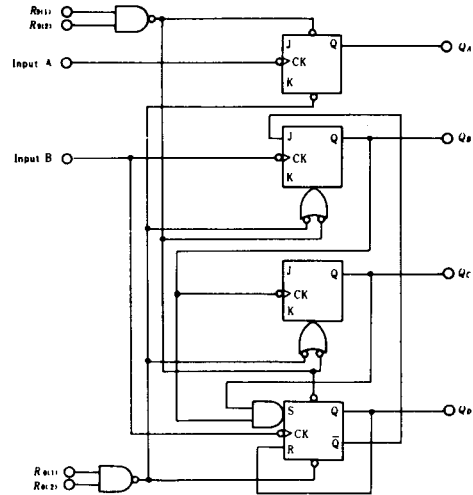
HD74LS90 • Decade Counters

The HD74LS90 contains four master-slave flip-flops and additional gating to provide a divide-by-two counter and three-stage binary counter for divide-by-five. This device has a gated zero reset and also has gated set-to-nine inputs for use in BCD nine's complement applications. To use this maximum count length of this counter the B input is connected to the Q_A output. The input count pulses are applied to input A and the outputs are described in the appropriate function table. A symmetrical divide-by-ten count can be obtained from HD-74LS90 counter by connecting the Q_D output to the A input and applying the input count to the B input which gives a divide-by-ten square wave at output Q_A .

■ PIN ARRANGEMENT



■ BLOCK DIAGRAM



■ ABSOLUTE MAXIMUM RATINGS

Item	Symbol	Rating	Unit
Supply voltage	V_{CC}	7.0	V
Input voltage	R Inputs	7.0	V
	A, B Inputs	5.5	V
Operating temperature range	T_{opr}	-20 ~ +75	°C
Storage temperature range	T_{stg}	-65 ~ +150	°C

■ FUNCTION TABLE

Reset/Count Function Table

Reset Inputs				Outputs			
$R_{0(1)}$	$R_{0(2)}$	$R_{9(1)}$	$R_{9(2)}$	Q_D	Q_C	Q_B	Q_A
H	H	L	X	L	L	L	L
H	H	X	L	L	L	L	L
X	X	H	H	H	L	L	H
X	L	X	L	Count			
L	X	L	X	Count			
L	X	X	L	Count			
X	L	L	X	Count			

BCD Count Sequence(Notes1)

Count	Outputs			
	Q_D	Q_C	Q_B	Q_A
0	L	L	L	L
1	L	L	L	H
2	L	L	H	L
3	L	L	H	H
4	L	H	L	L
5	L	H	L	H
6	L	H	H	L
7	L	H	H	H
8	H	L	L	L
9	H	L	L	H

Bi-Quinary Count Sequence(Notes2)

Count	Outputs			
	Q_A	Q_D	Q_C	Q_B
0	L	L	L	L
1	L	L	L	H
2	L	L	H	L
3	L	L	H	H
4	L	H	L	L
5	H	L	L	L
6	H	L	L	H
7	H	L	H	L
8	H	L	H	H
9	H	H	L	L

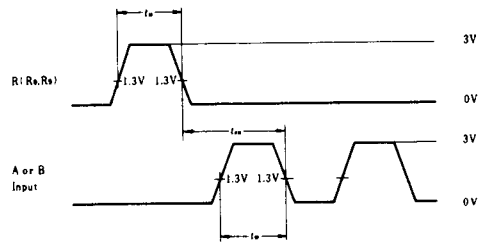
- Notes) 1. Output Q_A is connected to input B for BCD count.
 2. Output Q_D is connected to input A for Bi-quinary count.
 3. H; high level, L; low level, X; irrelevant.

HD74LS90

RECOMMENDED OPERATING CONDITIONS

Item	Symbol	min	typ	max	Unit
Count frequency	A input	0	—	32	MHz
	B input	0	—	16	
Pulse width	A input	15	—	—	ns
	B input	30	—	—	
	Reset inputs	15	—	—	
Setup time	t_{su}	25	—	—	ns

TIMING DEFINITION



ELECTRICAL CHARACTERISTICS (Ta = -20 ~ +75°C)

Item	Symbol	Test Conditions	min	typ*	max	Unit	
Input voltage	V_{IH}		2.0	—	—	V	
	V_{IL}		—	—	0.8	V	
Output voltage	V_{OH}	$V_{CC}=4.75V, V_{IH}=2V, V_{IL}=0.8V, I_{OH}=-400\mu A$	2.7	—	—	V	
	V_{OL}	$V_{CC}=4.75V, V_{IH}=2V, V_{IL}=0.8V$					
Input current	Any Reset	I_{IL}	$V_{CC}=5.25V, V_I=0.4V$	—	—	-0.4	mA
	A input			—	—	-2.4	
	B input			—	—	-3.2	
	Any Reset	I_{IH}	$V_{CC}=5.25V, V_I=2.7V$	—	—	20	μA
	A input			—	—	40	
	B input			—	—	80	
	Any Reset	I_I	$V_{CC}=5.25V$	$V_I=7V$	—	—	0.1
A input	$V_I=5.5V$			—	—	0.2	
B input				—	—	0.4	
Short-circuit output current	I_{OS}	$V_{CC}=5.25V$	-20	—	-100	mA	
Supply current * * *	I_{CC}	$V_{CC}=5.25V$	—	9	15	mA	
Input clamp voltage	V_{IK}	$V_{CC}=4.75V, I_{IN}=-18mA$	—	—	-1.5	V	

* $V_{CC}=5V, T_a=25^\circ C$

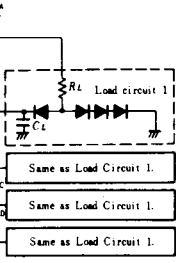
** Q_A output is tested at specified I_{OL} plus the limit value of I_{IL} for the B input. This permits driving the B input while maintaining full fan out capability.

*** I_{CC} is measured with all outputs open, both R_o inputs grounded following momentary connection to 4.5V, and all other inputs grounded.

SWITCHING CHARACTERISTICS (VCC=5V, Ta=25°C)

Item	Symbol	Inputs	Outputs	Test Conditions	min	typ	max	Unit
Maximum count frequency	f_{max}	A	Q_A	$C_L=15pF, R_L=2k\Omega$	32	42	—	MHz
		B	Q_B		16	—	—	
Propagation delay time	t_{PLH}	A	Q_A		—	10	16	ns
			Q_B		—	12	18	
	t_{PHL}	B	Q_D		—	32	48	ns
			Q_B		—	34	50	
	t_{PLH}	B	Q_B		—	10	16	ns
			Q_C		—	14	21	
	t_{PHL}	B	Q_C		—	21	32	ns
			Q_D		—	23	35	
	t_{PLH}	B	Q_D	—	21	32	ns	
			Q_A, Q_B	—	23	35		
	t_{PHL}	Set-to-0	$Q_A \sim Q_D$	—	26	40	ns	
			Q_B, Q_C	—	20	30		
	t_{PHL}	Set-to-9	Q_B, Q_C	—	26	40	ns	

TESTING METHOD

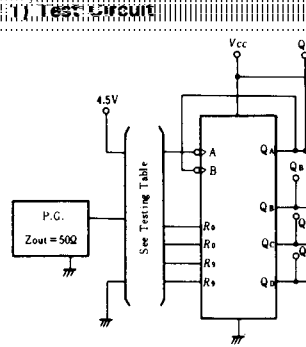


Item	From input to output	Inputs				Outputs			
		A	B	R ₀	R ₉	Q _A	Q _B	Q _C	Q _D
f_{max}	A → Q	IN	to Q _A	GND	GND	Out	Out	Out	Out
	B → Q	4.5V	IN	GND	GND	—	Out	Out	Out
t_{PLH}	A → Q _A	IN	to Q _A	GND	GND	—	—	—	—
	A → Q _D	IN	to Q _A	GND	GND	—	—	—	Out
t_{PHL}	B → Q _B	4.5V	IN	GND	GND	—	Out	—	—
	B → Q _C	4.5V	IN	GND	GND	—	—	Out	—
t_{PHL}	B → Q _D	4.5V	IN	GND	GND	—	—	—	Out
	R ₀ ⁰ → Q	IN*	to Q _A	IN	GND	Out	Out	Out	Out
	R ₉ ⁹ → Q	IN*	to Q _A	GND	IN	Out	Out	Out	Out

*: For initialized

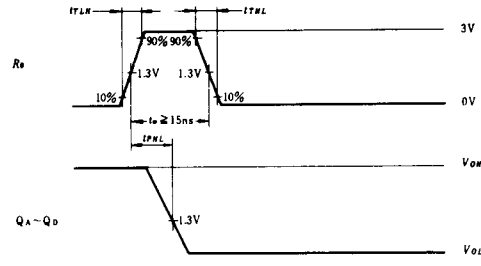
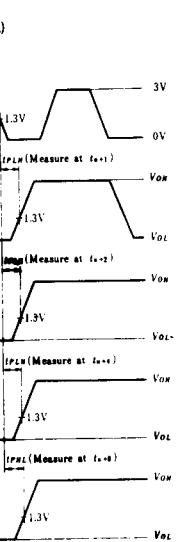
** : Measured with each input and unused inputs at 4.5V.

$t_{PHL} \leq 6ns$,
%
capacitance.



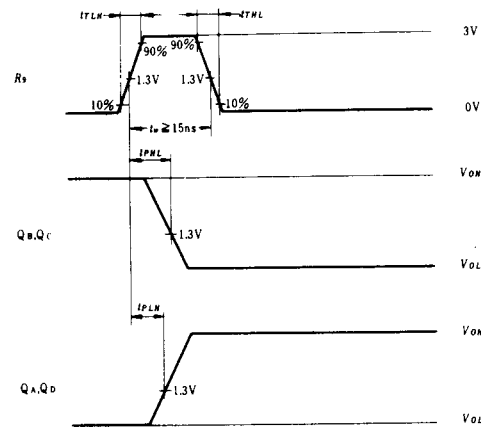
- Notes) 1. Input pulse: $t_{TLH} \leq 15ns$, $t_{THL} \leq 15ns$, $PRR = 1MHz$, duty cycle=50%
 2. C_L includes probe and jig capacitance.
 3. All diodes are 1S2074 (S).

Waveform-2 $t_{PHL}(R_0 \rightarrow Q)$



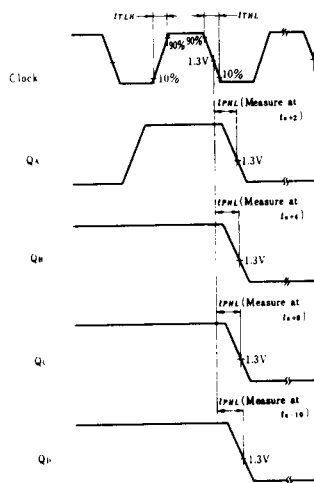
Waveform-3 $t_{PLH}, t_{PHL}(R_9 \rightarrow Q)$

$t_{PLH} \leq 5ns$, $PRR = 1MHz$,
 $t_{TLH} = t_{THL} \leq 2.5ns$,
 all outputs are low.



Notes) 1. $t_{TLH} \leq 15ns$, $t_{THL} \leq 5ns$.

Waveform-1 $f_{max}, t_{PLH}, t_{PHL}(Clock \rightarrow Q)$



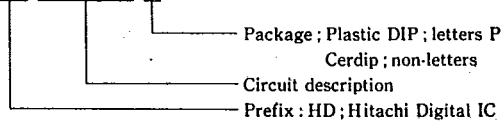
- Notes) 1. Input pulse: $t_{TLH} \leq 15ns$, $t_{THL} \leq 15ns$, $PRR = 1MHz$, duty cycle=50% and: for f_{max}
 2. t_{η} is reference bit time when all

PACKAGING INFORMATION

T-90-20

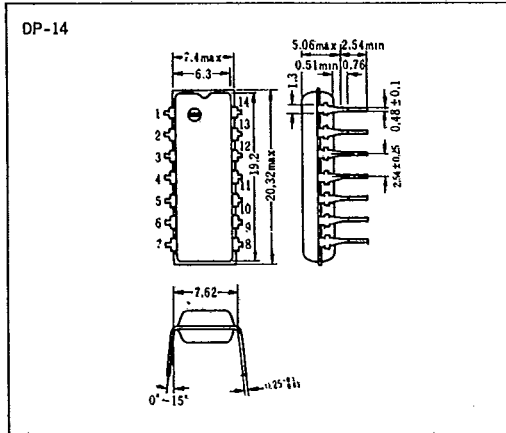
Factory orders for circuits described in this databook should include a three-part type number as explained in the following example.

HD 74LS00 P

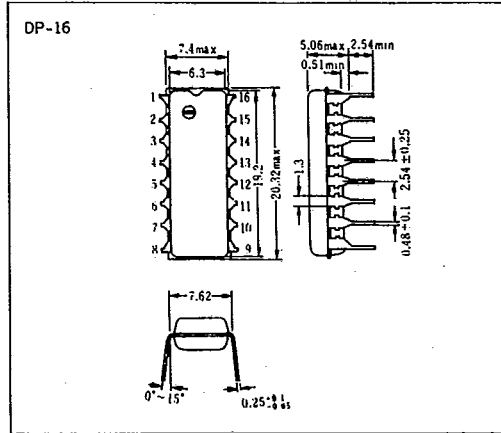


■ Plastic DIP

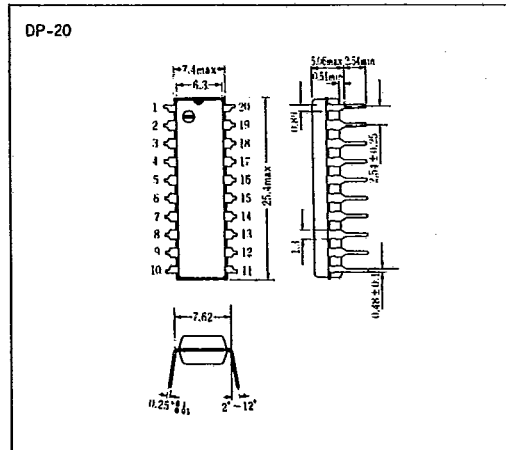
● 14 Pin



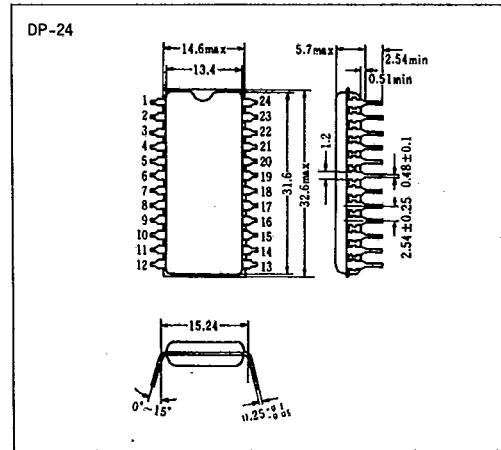
● 16 Pin



● 20 Pin



● 24 Pin

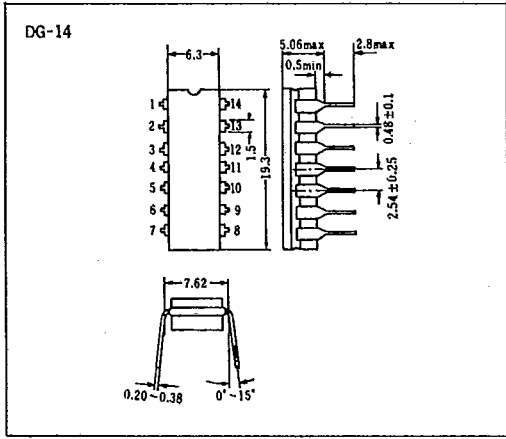


T-90-20

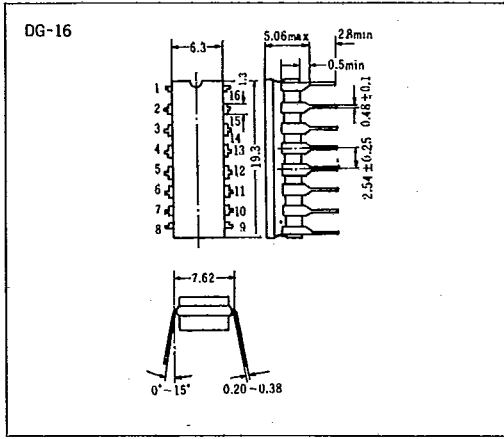
PACKAGING INFORMATIONS

■ Cerdip

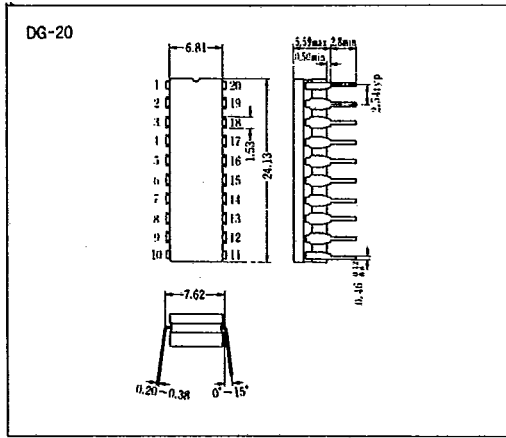
● 14 Pin



● 16 Pin



● 20 Pin



● 24 Pin

