

KEY FEATURES

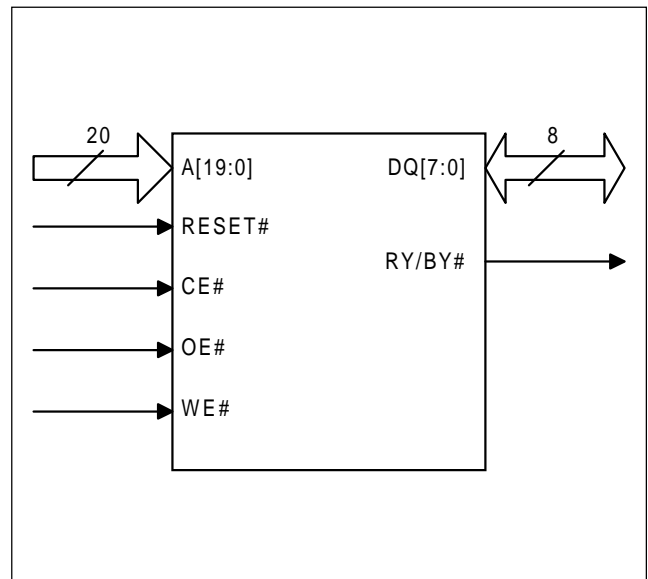
- **5 Volt Read, Program, and Erase**
 - Minimizes system-level power requirements
- **High Performance**
 - Access times as fast as 70 ns
- **Low Power Consumption**
 - 15 mA typical active read current
 - 30 mA typical program/erase current
 - 5 μ A maximum CMOS standby current
- **Compatible with JEDEC Standards**
 - Package, pinout and command-set compatible with the single-supply Flash device standard
 - Provides superior inadvertent write protection
- **Sector Erase Architecture**
 - Sixteen equal size sectors of 64K bytes each
 - A command can erase any combination of sectors
 - Supports full chip erase
- **Erase Suspend/Resume**
 - Temporarily suspends a sector erase operation to allow data to be read from, or programmed into, any sector not being erased
- **Sector Group Protection**
 - Sectors may be locked in groups of two to prevent program or erase operations within that sector group
- **Temporary Sector Unprotect**
 - Allows changes in locked sectors (requires high voltage on RESET# pin)
- **Internal Erase Algorithm**
 - Automatically erases a sector, any combination of sectors, or the entire chip
- **Internal Programming Algorithm**
 - Automatically programs and verifies data at a specified address
- **Fast Program and Erase Times**
 - Byte programming time: 7 μ s typical
 - Sector erase time: 1.0 sec typical
 - Chip erase time: 16 sec typical
- **Data# Polling and Toggle Status Bits**
 - Provide software confirmation of completion of program or erase operations
- **Ready/Busy# Pin**
 - Provides hardware confirmation of completion of program and erase operations
- **Minimum 100,000 Program/Erase Cycles**
- **Space Efficient Packaging**
 - Available in industry-standard 40-pin TSOP and 44-pin PSOP packages

GENERAL DESCRIPTION

The HY29F080 is an 8 Megabit, 5 volt-only CMOS Flash memory organized as 1,048,576 (1M) bytes of eight-bits each. The device is offered in industry-standard 44-pin PSOP and 40-pin TSOP packages.

The HY29F080 can be programmed and erased in-system with a single 5-volt V_{CC} supply. Internally generated and regulated voltages are provided for program and erase operations, so that the device does not require a high voltage power supply to perform those functions. The device can also be programmed in standard EPROM programmers. Access times as fast as 70ns over the full operating voltage range of 5.0 volts \pm 10% are offered for timing compatibility with the zero wait state requirements of high speed microprocessors.

LOGIC DIAGRAM



To eliminate bus contention, the HY29F080 has separate chip enable (CE#), write enable (WE#) and output enable (OE#) controls.

The device is compatible with the JEDEC single power-supply Flash command set standard. Commands are written to the command register using standard microprocessor write timings, from where they are routed to an internal state-machine that controls the erase and programming circuits. Device programming is performed a byte at a time by executing the four-cycle Program Command. This initiates an internal algorithm that automatically times the program pulse widths and verifies proper cell margin.

The HY29F080's sector erase architecture allows any number of array sectors to be erased and re-programmed without affecting the data contents of other sectors. Device erasure is initiated by executing the Erase Command. This initiates an internal algorithm that automatically preprograms the array (if it is not already programmed) before executing the erase operation. During erase cycles, the device automatically times the erase pulse widths and verifies proper cell margin.

To protect data in the device from accidental or unauthorized attempts to program or erase the device while it is in the system (e.g., by a virus),

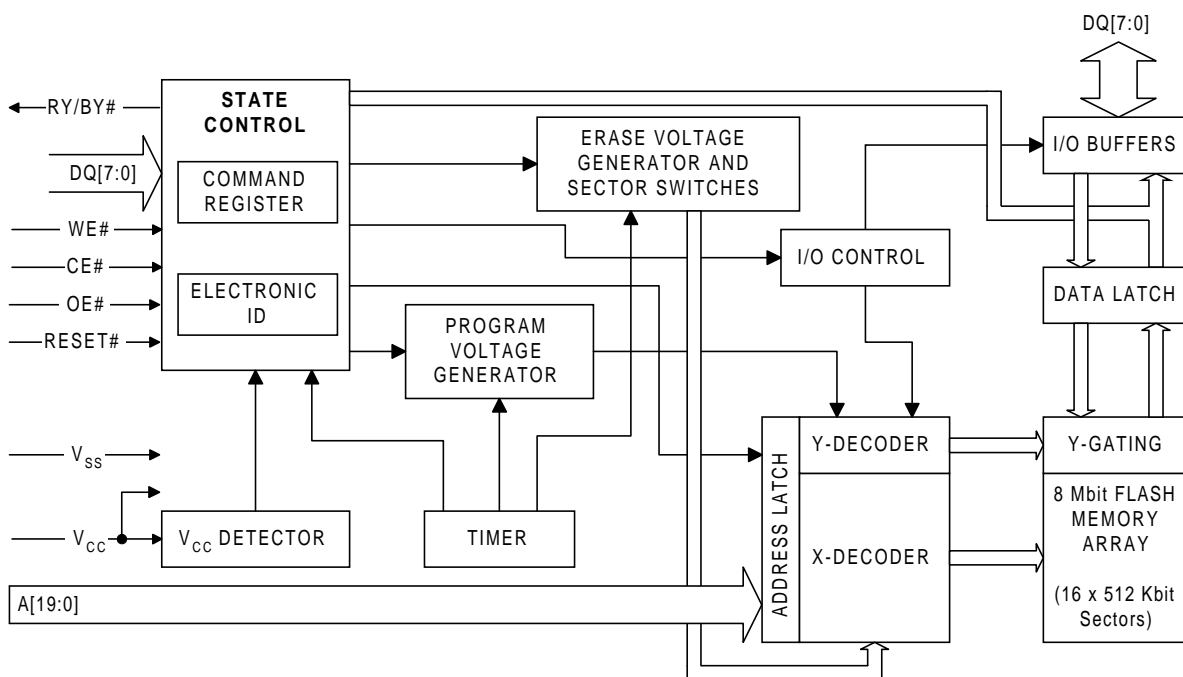
the device has a Sector Group Protect function which hardware write protects selected sector groups. The sector group protect and unprotect features can be enabled in a PROM programmer. Temporary Sector Unprotect, which requires a high voltage, allows in-system erasure and code changes in previously protected sectors.

Erase Suspend enables the user to put erase on hold for any period of time to read data from, or program data to, any sector that is not selected for erasure. True background erase can thus be achieved. The device is fully erased when shipped from the factory.

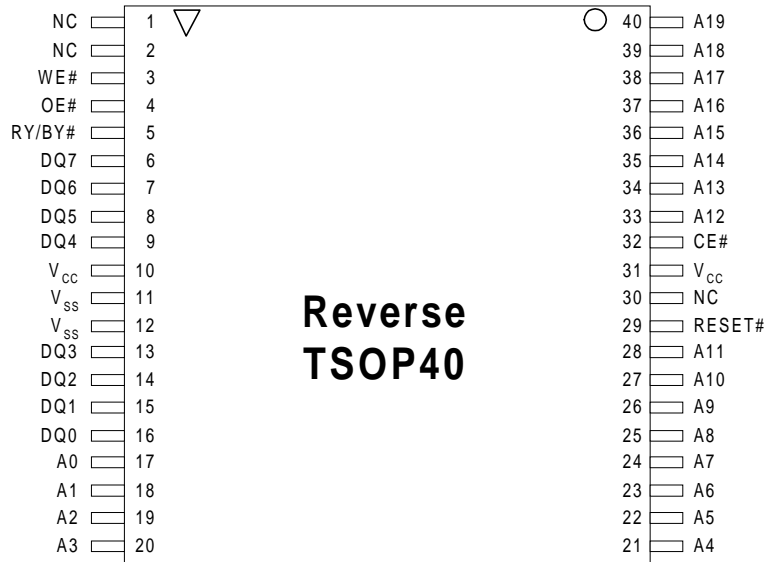
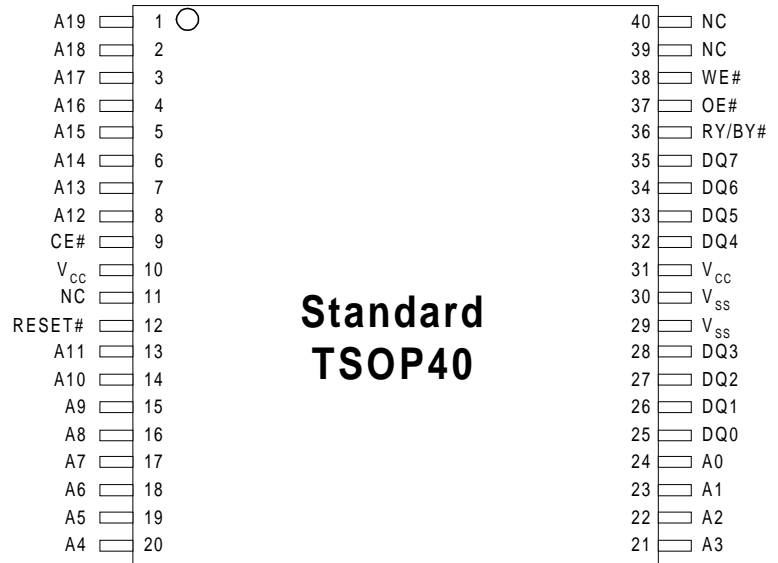
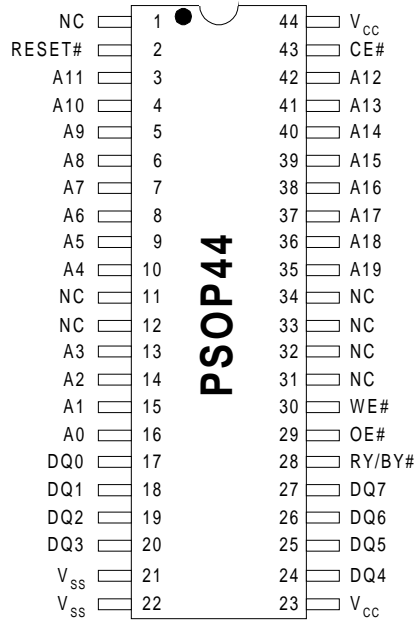
Addresses and data needed for the programming and erase operations are internally latched during write cycles, and the host system can detect completion of a program or erase operation by observing the RY/BY# pin, or by reading the DQ[7] (Data# Polling) and DQ[6] (toggle) status bits. Reading data from the device is similar to reading from SRAM or EPROM devices. Hardware data protection measures include a low V_{CC} detector that automatically inhibits write operations during power transitions.

The host can place the device into the standby mode. Power consumption is greatly reduced in this mode.

BLOCK DIAGRAM



PIN CONFIGURATIONS



CONVENTIONS

Unless otherwise noted, a positive logic (active High) convention is assumed throughout this document, whereby the presence at a pin of a higher, more positive voltage (nominally 5VDC) causes assertion of the signal. A '#' symbol following the signal name, e.g., RESET#, indicates that the signal is asserted in a Low state (nominally 0 volts).

Whenever a signal is separated into numbered bits, e.g., DQ[7], DQ[6], ..., DQ[0], the family of bits may also be shown collectively, e.g., as DQ[7:0].

The designation 0xNNNN (N = 0, 1, 2, . . . , 9, A, . . . , E, F) indicates a number expressed in hexadecimal notation. The designation 0bXXXX indicates a number expressed in binary notation (X = 0, 1).

SIGNAL DESCRIPTIONS

Name	Type	Description
A[19:0]	Inputs	Address, active High. These twenty inputs select one of 1,048,576 (1M) bytes within the array for read or write operations. A[19] is the MSB and A[0] is the LSB.
DQ[7:0]	Inputs/Outputs Tri-state	Data Bus, active High. These pins provide an 8-bit data path for read and write operations.
CE#	Input	Chip Enable, active Low. This input must be asserted to read data from or write data to the HY29F080. When High, the data bus is tri-stated and the device is placed in the Standby mode.
OE#	Input	Output Enable, active Low. This input must be asserted for read operations and negated for write operations. When High, data outputs from the device are disabled and the data bus pins are placed in the high impedance state.
WE#	Input	Write Enable, active Low. Controls writing of commands or command sequences in order to program data or erase sectors of the memory array. A write operation takes place when WE# is asserted while CE# is Low and OE# is High.
RESET#	Input	Hardware Reset, active Low. Provides a hardware method of resetting the HY29F080 to the read array state. When the device is reset, it immediately terminates any operation in progress. The data bus is tri-stated and all read/write commands are ignored while the input is asserted. While RESET# is asserted, the device will be in the Standby mode.
RY/BY#	Output Open Drain	Ready/Busy Status. Indicates whether a write or erase command is in progress or has been completed. RY/BY# is valid after the rising edge of the final WE# pulse of a command sequence. It remains Low while the device is actively programming data or erasing, and goes High when it is ready to read array data.
V _{CC}	--	5-volt power supply.
V _{SS}	--	Power and signal ground.

MEMORY ARRAY ORGANIZATION

The 1 MByte Flash memory array is organized into sixteen 64 KByte blocks called *sectors* (S0, S1, . . . , S15). A sector is the smallest unit that can be erased. Adjacent pairs of sectors (S0/S1, S2/S3, . . . , S14/S15) are designated as a *sector group*. A sector group is the smallest unit which can be protected to prevent accidental or unauthorized

erasure. See 'Bus Operations' and 'Command Definitions' sections of this document for additional information on these functions.

Table 1 defines the sector addresses, sector group addresses and corresponding address ranges for the HY29F080.

Table 1. HY29F080 Memory Array Organization

Sector	Sector Group	Sector/Sector Group Address ¹				Address Range A[19:0]
		A[19]	A[18]	A[17]	A[16]	
S0	SG0	0	0	0	0	0x00000 - 0x0FFFF
S1		0	0	0	1	0x10000 - 0x1FFFF
S2	SG1	0	0	1	0	0x20000 - 0x2FFFF
S3		0	0	1	1	0x30000 - 0x3FFFF
S4	SG2	0	1	0	0	0x40000 - 0x4FFFF
S5		0	1	0	1	0x50000 - 0x5FFFF
S6	SG3	0	1	1	0	0x60000 - 0x6FFFF
S7		0	1	1	1	0x70000 - 0x7FFFF
S8	SG4	1	0	0	0	0x80000 - 0x8FFFF
S9		1	0	0	1	0x90000 - 0x9FFFF
S10	SG5	1	0	1	0	0xA0000 - 0xAFFFF
S11		1	0	1	1	0xB0000 - 0xBFFFF
S12	SG6	1	1	0	0	0xC0000 - 0xCFFFF
S13		1	1	0	1	0xD0000 - 0xDFFFF
S14	SG7	1	1	1	0	0xE0000 - 0xEFFFF
S15		1	1	1	1	0xF0000 - 0xFFFFF

Notes:

1. A[19:16] are the sector address. A[19:17] are the sector group address.

BUS OPERATIONS

Device bus operations are initiated through the internal command register, which consists of sets of latches that store the commands, along with the address and data information, if any, needed to execute the specific command. The command register itself does not occupy any addressable memory location. The contents of the command

register serve as inputs to an internal state machine whose outputs control the operation of the device. Table 2 lists the normal bus operations, the inputs and control levels they require, and the resulting outputs. Certain bus operations require a high voltage on one or more device pins. Those are described in Table 3.

Table 2. HY29F080 Normal Bus Operations¹

Operation	CE#	OE#	WE#	RESET#	A[19:0]	DQ[7:0]
Read	L	L	H	H	A _{IN}	D _{OUT}
Write	L	H	L	H	A _{IN}	D _{IN}
Output Disable	L	H	H	H	X	High-Z
CE# TTL Standby	H	X	X	H	X	High-Z
CE# CMOS Standby	V _{CC} ± 0.3V	X	X	V _{CC} ± 0.3V	X	High-Z
Hardware Reset (TTL Standby)	X	X	X	L	X	High-Z
Hardware Reset (CMOS Standby)	X	X	X	V _{SS} ± 0.5V	X	High-Z

Notes:

1. L = V_{IL}, H = V_{IH}, X = Don't Care, D_{OUT} = Data Out, D_{IN} = Data In. See DC Characteristics for voltage levels.

Table 3. HY29F080 Bus Operations Requiring High Voltage^{1, 2}

Operation ³	CE#	OE#	WE#	RESET-#	A[19:17]	A[9]	A[6]	A[1]	A[0]	DQ[7:0]
Sector Group Protect	L	V _{ID}	X	H	SGA ⁴	V _{ID}	X	X	X	X
Sector Group Unprotect	V _{ID}	V _{ID}	X	H	SGA ⁴	V _{ID}	X	X	X	X
Temporary Sector Group Unprotect	X	X	X	V _{ID}	X	X	X	X	X	X
Manufacturer Code	L	L	H	H	X	V _{ID}	L	L	L	Hynix = 0xAD
Device Code	L	L	H	H	X	V _{ID}	L	L	H	HY29F080 = 0xD5
Sector Group Protection Verification	L	L	H	H	SGA ⁴	V _{ID}	L	H	L	0x00 = Unprotected
										0x01 = Protected

Notes:

1. L = V_{IL}, H = V_{IH}, X = Don't Care. See DC Characteristics for voltage levels.
2. Address bits not specified are Don't Care.
3. See text for additional information.
4. SGA = sector group address. See Table 1.

Read Operation

Data is read from the HY29F080 by using standard microprocessor read cycles while placing the address of the byte to be read on the device's address inputs, A[19:0]. As shown in Table 2, the host system must drive the CE# and OE# inputs Low and drive WE# High for a valid read operation to take place. The device outputs the specified array data on DQ[7:0].

The HY29F080 is automatically set for reading array data after device power-up and after a hardware reset to ensure that no spurious alteration of the memory content occurs during the power transition. No command is necessary in this mode to obtain array data, and the device remains enabled for read accesses until the command register contents are altered.

This device features an Erase Suspend mode. While in this mode, the host may read the array data from any sector of memory that is not marked for erasure. If the host attempts to read from an address within an erase-suspended sector, or while the device is performing an erase or byte program operation, the device outputs status data

instead of array data. After completing a programming operation in the Erase Suspend mode, the system may once again read array data with the same exceptions noted above. After completing an internal program or internal erase algorithm, the HY29F080 automatically returns to the read array data mode.

The host must issue a hardware reset or the software reset command (see Command Definitions) to return a sector to the read array data mode if DQ[5] goes high during a program or erase cycle, or to return the device to the read array data mode while it is in the Electronic ID mode.

Write Operation

Certain operations, including programming data and erasing sectors of memory, require the host to write a command or command sequence to the HY29F080. Writes to the device are performed by placing the byte address on the device's address inputs while the data to be written is input on DQ[7:0]. The host system must drive the CE# and WE# pins Low and drive OE# High for a valid write operation to take place. All addresses are

latched on the falling edge of WE# or CE#, whichever happens later. All data is latched on the rising edge of WE# or CE#, whichever happens first.

The 'Device Commands' section of this document provides details on the specific device commands implemented in the HY29F080.

Output Disable Operation

When the OE# input is at V_{IH} , output data from the device is disabled and the data bus pins are placed in the high impedance state.

Standby Operation

When the system is not reading from or writing to the HY29F080, it can place the device in the Standby mode. In this mode, current consumption is greatly reduced, and the data bus outputs are placed in the high impedance state, independent of the OE# input. The Standby mode can be invoked using two methods.

The device enters the *CE# CMOS Standby* mode if the CE# and RESET# pins are both held at $V_{CC} \pm 0.5V$. Note that this is a more restricted voltage range than V_{IH} . If both CE# and RESET# are held High, but not within $V_{CC} \pm 0.5V$, the device will be in the *CE# TTL Standby* mode, but the standby current will be greater.

The device enters the *RESET# CMOS Standby* mode when the RESET# pin is held at $V_{SS} \pm 0.5V$. If RESET# is held Low but not within $V_{SS} \pm 0.5V$, the HY29F080 will be in the *RESET# TTL Standby* mode, but the standby current will be greater. See Hardware Reset Operation section for additional information on the reset operation.

The device requires standard access time (t_{CE}) for read access when the device is in either of the standby modes, before it is ready to read data. If the device is deselected during erasure or programming, it continues to draw active current until the operation is completed.

Hardware Reset Operation

The RESET# pin provides a hardware method of resetting the device to reading array data. When the RESET# pin is driven Low for the minimum specified period, the device immediately terminates any operation in progress, tri-states the data bus pins, and ignores all read/write commands for

the duration of the RESET# pulse. The device also resets the internal state machine to reading array data. If an operation was interrupted by the assertion of RESET#, it should be reinitiated once the device is ready to accept another command sequence to ensure data integrity.

Current is reduced for the duration of the RESET# pulse as described in the Standby Operation section above.

If RESET# is asserted during a program or erase operation (RY/BY# pin is Low), the internal reset operation is completed within a time of t_{READY} (during Automatic Algorithms). The RY/BY# pin will go High during the t_{READY} interval, and the system can perform a read or write operation after waiting for a minimum of t_{READY} or until t_{RH} after the RESET# pin returns High, whichever is longer. If RESET# is asserted when a program or erase operation is not executing (RY/BY# pin is High), the reset operation is completed within a time of t_{RP} . In this case, the host can perform a read or write operation t_{RH} after the RESET# pin returns High.

The RESET# pin may be tied to the system reset signal. Thus, a system reset would also reset the device, enabling the system to read the boot-up firmware from the Flash memory.

Sector Group Protect/Unprotect Operations

Hardware sector group protection can be invoked to disable program and erase operations in any single sector group or combination of sector groups. This function is typically used to protect data in the device from unauthorized or accidental attempts to program or erase the device while it is in the system (e.g., by a virus) and is implemented using programming equipment. Sector group unprotection re-enables the program and erase operations in previously protected sectors.

Table 1 identifies the eight sector groups and the address ranges that each covers. The device is shipped with all sector groups unprotected.

The sector group protect/unprotect operations require a high voltage (V_{ID}) on address pin A9 and the CE# and/or OE# control pins, as detailed in Table 3. When implementing these operations, note that V_{CC} must be applied to the device before applying V_{ID} , and that V_{ID} should be removed before removing V_{CC} from the device.

The flow chart in Figure 1 illustrates the procedure for protecting sector groups, and timing specifications and waveforms are shown in the specifications section of this document. Verification of protection is accomplished as described in the Electronic ID Mode section and shown in the flow chart.

The procedure for sector group unprotection is illustrated in the flow chart in Figure 2, and timing specifications and waveforms are given at the end of this document. *Note that to unprotect any sector group, all unprotected sector groups must first be protected prior to the first unprotect write cycle.*

Sectors can also be temporarily unprotected as described in the next section.

Temporary Sector Group Unprotect Operation

This feature allows temporary unprotection of previously protected sectors to allow changing the data in-system. Temporary Sector Group Unprotect mode is activated by setting the RESET# pin to V_{ID}. While in this mode, formerly protected sectors can be programmed or erased by invoking

the appropriate commands (see Device Commands section). Once V_{ID} is removed from RESET#, all the previously protected sectors are protected again. Figure 3 illustrates the algorithm.

Electronic ID Mode Operation

The Electronic ID mode provides manufacturer and device identification and sector group protection verification through identifier codes output on DQ[7:0]. This mode is intended primarily for programming equipment to automatically match a device to be programmed with its corresponding programming algorithm. The Electronic ID information can also be obtained by the host through a command sequence, as described in the Device Commands section.

Operation in the Electronic ID mode requires V_{ID} on address pin A[9], with additional requirements for obtaining specific data items as listed in Table 2:

- A read cycle at address 0xXXX00 retrieves the manufacturer code (Hynix = 0xAD).

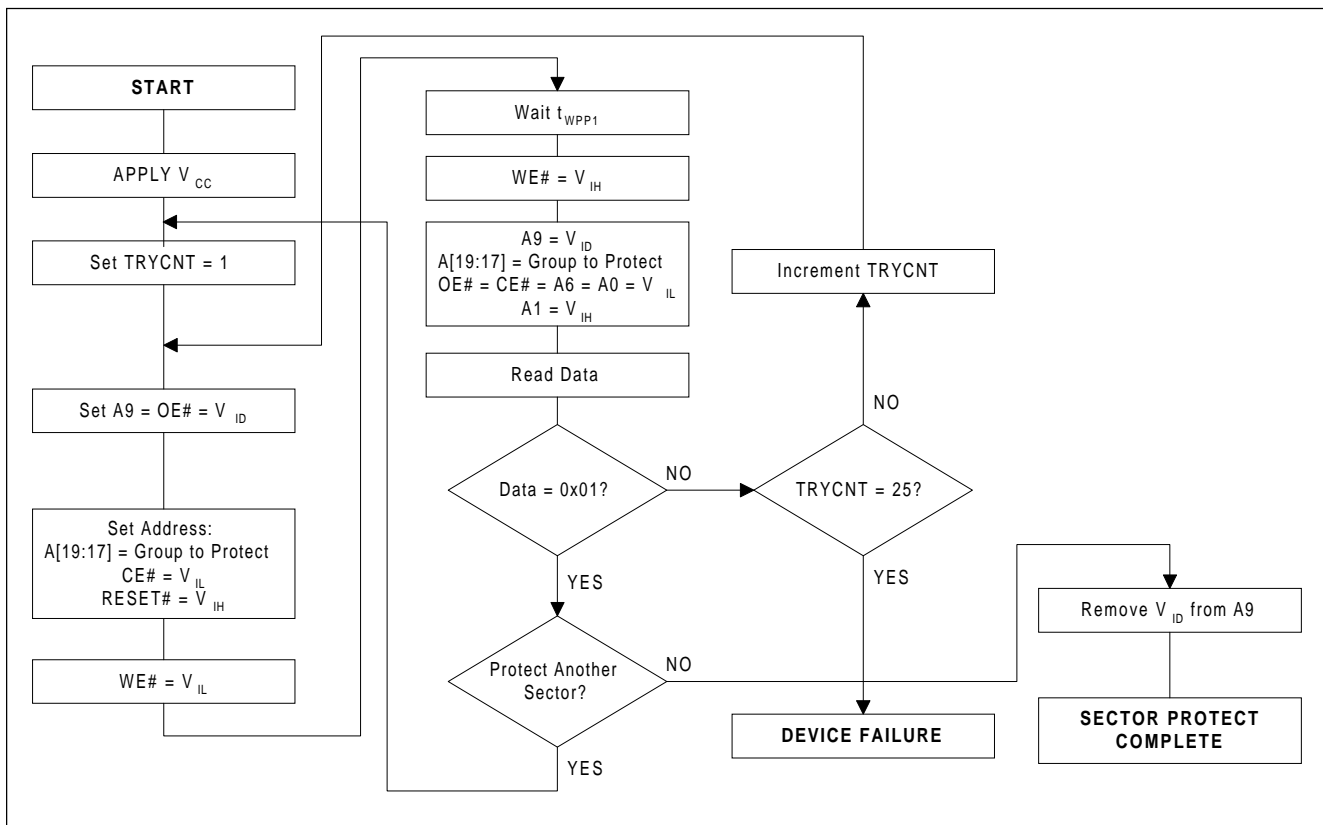


Figure 1. Sector Group Protect Procedure

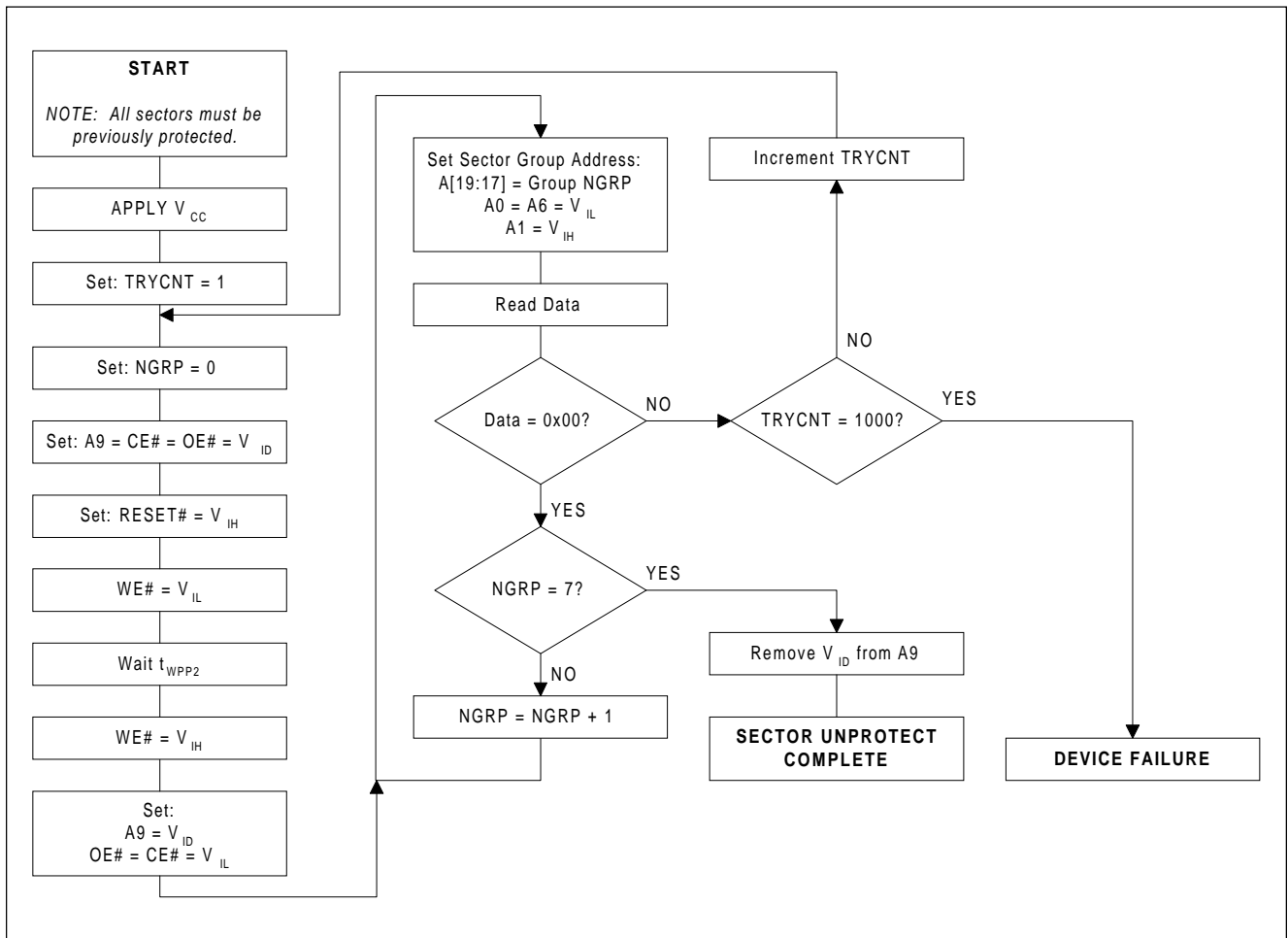


Figure 2. Sector Group Unprotect Procedure

- A read cycle at address 0xXXX01 returns the device code (HY29F080 = 0xD5).
- A read cycle containing a sector group address (Table 1) in A[19:17] and the address 0x02 in A[7:0] returns 0x01 if that sector is protected, or 0x00 if it is unprotected.

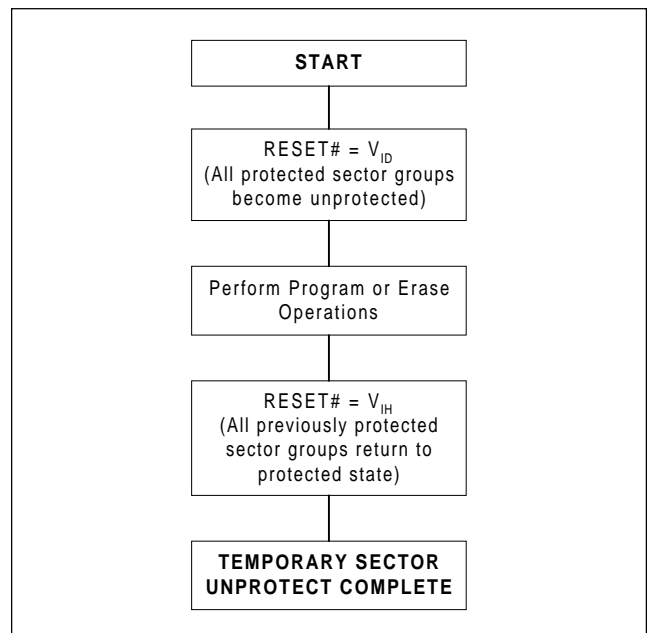


Figure 3. Temporary Sector Group Unprotect

DEVICE COMMANDS

Device operations are initiated by writing designated address and data *command sequences* into the device. A command sequence is composed of one, two or three of the following sub-segments: an *unlock cycle*, a *command cycle* and a *data cycle*. Table 4 summarizes the composition of the valid command sequences implemented in the HY29F080, and these sequences are fully described in Table 5 and in the sections that follow.

Writing incorrect address and data values or writing them in the improper sequence resets the HY29F080 to the Read mode.

Table 4. Composition of Command Sequences

Command Sequence	Number of Bus Cycles		
	Unlock	Command	Data
Read/Reset 1	0	1	Note 1
Read/Reset 2	2	1	Note 1
Byte Program	2	1	1
Chip Erase	4	1	1
Sector Erase	4	1	1 (Note 2)
Erase Suspend	0	1	0
Erase Resume	0	1	0
Electronic ID	2	1	Note 3

Notes:

1. Any number of Flash array read cycles are permitted.
2. Additional data cycles may follow. See text.
3. Any number of Electronic ID read cycles are permitted.

Read/Reset 1, 2 Commands

The HY29F080 automatically enters the Read mode after device power-up, after the RESET# input is asserted and upon the completion of certain commands. Read/Reset commands are not required to retrieve data in these cases.

A Read/Reset command must be issued in order to read array data in the following cases:

- If the device is in the Electronic ID mode, a Read/Reset command must be written to return to the Read mode. If the device was in the Erase Suspend mode when the device entered the Electronic ID mode, writing the Read/Reset command returns the device to the Erase Suspend mode.

Note: When in the Electronic ID bus operation mode, the device returns to the Read mode when V_{ID} is removed from the A[9] pin. The Read/Reset command is not required in this case.

- If DQ[5] (Exceeded Time Limit) goes High during a program or erase operation, writing the reset command returns the sectors to the Read mode (or to the Erase Suspend mode if the device was in Erase Suspend).

The Read/Reset command may also be used to abort certain command sequences:

- In a Sector Erase or Chip Erase command sequence, the Read/Reset command may be written at any time before erasing actually begins, including, for the Sector Erase command, between the cycles that specify the sectors to be erased (see Sector Erase command description). This aborts the command and resets the device to the Read mode. Once erasure begins, however, the device ignores Read/Reset commands until the operation is complete.
- In a Program command sequence, the Read/Reset command may be written between the sequence cycles before programming actually begins. This aborts the command and resets the device to the Read mode, or to the Erase Suspend mode if the Program command sequence is written while the device is in the Erase Suspend mode. Once programming begins, however, the device ignores Read/Reset commands until the operation is complete.
- The Read/Reset command may be written between the cycles in an Electronic ID command sequence to abort that command. As described above, once in the Electronic ID mode, the Read/Reset command *must* be written to return to the Read mode.

Byte Program Command

The host processor programs the device a byte at a time by issuing the Program command sequence shown in Table 5. The sequence begins by writing two unlock cycles, followed by the Program setup command and, lastly, a data cycle specifying the program address and data. This initiates the Automatic Programming algorithm, which provides internally generated program pulses and

Table 5. HY29F080 Command Sequences

Command Sequence	Write Cycles	Bus Cycles ^{1, 2, 3}													
		First		Second		Third		Fourth		Fifth		Sixth			
		Add	Data	Add	Data	Add	Data	Add	Data	Add	Data	Add	Data		
Read/Reset ^{1 6, 8}	1	XXX	F0	RA	RD										
Reset/Reset 2 ^{7, 8}	3	555	AA	2AA	55	555	F0	RA	RD						
Byte Program	4	555	AA	2AA	55	555	A0	PA	PD						
Chip Erase	6	555	AA	2AA	55	555	80	555	AA	2AA	55	555	10		
Sector Erase	6	555	AA	2AA	55	555	80	555	AA	2AA	55	555	SA	30	
Erase Suspend ⁴	1	XXX	B0												
Erase Resume ⁵	1	XXX	30												
Electronic ID ⁷	3	Manufacturer Code						X00		AD					
		Device Code						X01		D5					
		Group Protect Verify						GPVA		STAT					

Legend:

X = Don't Care

RA = Memory address of data to be read

RD = Data read from location RA during the read operation

STAT = Group protect status: 0x00 = unprotected, 0x01 = protected.

PA = Address of the data to be programmed

PD = Data to be programmed at address PA

SA = Sector address of sector to be erased (see Note 3 and Table 1).

GPVA = Address of the sector group to be verified (see Note 3 and Table 1).

Notes:

- All values are in hexadecimal.
- All bus cycles are write operations unless otherwise noted.
- Address is A[10:0] and A[19:11] are don't care except as follows:
 - For RA and PA, A[19:11] are the upper address bits of the byte to be read or programmed.
 - For SA, A[19:16] are the sector address of the sector to be erased and A[15:0] are don't care.
 - For GPVA, A[19:17] are the sector group address of the sector to be verified, A[7:0] = 0x02, all other address bits are don't care.
- The Erase Suspend command is valid only during a sector erase operation. The system may read and program in non-erasing sectors, or enter the Electronic ID mode, while in the Erase Suspend mode.
- The Erase Resume command is valid only during the Erase Suspend mode.
- The second bus cycle is a read cycle.
- The fourth bus cycle is a read cycle.
- Either command sequence is valid. The command is required only to return to the Read mode when the device is in the Electronic ID command mode or if DQ[5] goes High during a program or erase operation. It is not required for normal read operations.

verifies the programmed cell margin. The host is not required to provide further controls or timings during this operation. When the Automatic Programming algorithm is complete, the device returns to the Read mode. Several methods are provided to allow the host to determine the status of the programming operation, as described in the Write Operation Status section.

Commands written to the device during execution of the Automatic Programming algorithm are ignored. Note that a hardware reset immediately terminates the programming operation. To ensure data integrity, the aborted program command sequence should be reinitiated once the reset operation is complete.

Programming is allowed in any sequence. Only erase operations can convert a stored “0” to a “1”. Thus, a bit cannot be programmed from a “0” back to a “1”. Attempting to do so will set DQ[5] to “1”, and the Data# Polling algorithm will indicate that the operation was not successful. A Read/Reset command or a hardware reset is required to exit this state, and a succeeding read will show that the data is still “0”.

Figure 4 illustrates the procedure for the Program operation.

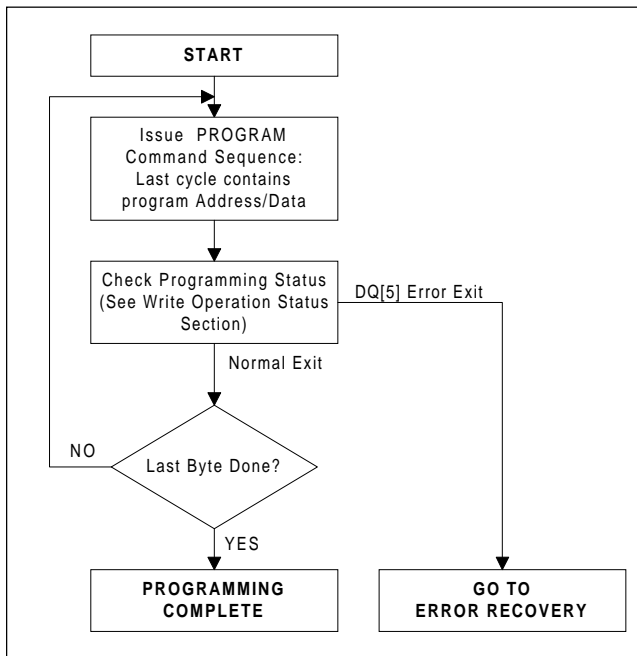


Figure 4. Programming Procedure

Chip Erase Command

The Chip Erase command sequence consists of two unlock cycles, followed by the erase command, two additional unlock cycles and then the chip erase data cycle. During chip erase, all sectors of the device are erased except protected sector groups. The command sequence starts the Automatic Erase algorithm, which preprograms and verifies the entire memory, except for protected sector groups, for an all zero data pattern prior to electrical erase. The device then provides the required number of internally generated erase pulses and verifies cell erasure within the proper cell margins. The host system is not required to provide any controls or timings during these operations.

Commands written to the device during execution of the Automatic Erase algorithm are ignored. Note that a hardware reset immediately terminates the erase operation. To ensure data integrity, the aborted chip erase command sequence should be reissued once the reset operation is complete.

When the Automatic Erase algorithm is finished, the device returns to the Read mode. Several methods are provided to allow the host to determine the status of the erase operation, as described in the Write Operation Status section.

Figure 5 illustrates the Chip Erase procedure.

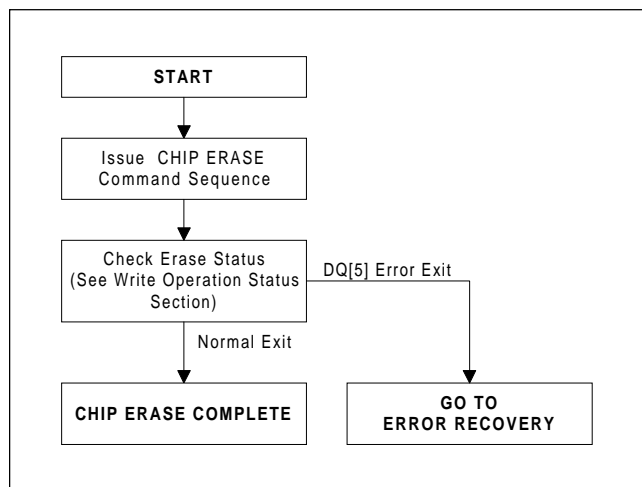


Figure 5. Chip Erase Procedure

Sector Erase Command

The Sector Erase command sequence consists of two unlock cycles, followed by the erase command, two additional unlock cycles and then the sector erase data cycle, which specifies which

sector is to be erased. As described later in this section, multiple sectors can be specified for erasure with a single command sequence. During sector erase, all specified sectors are erased sequentially. The data in sectors not specified for erasure, as well as the data in any sectors specified for erasure but located within protected sector groups, is not affected by the sector erase operation.

The Sector Erase command sequence starts the Automatic Erase algorithm, which preprograms and verifies the specified unprotected sectors for an all zero data pattern prior to electrical erase. The device then provides the required number of internally generated erase pulses and verifies cell erasure within the proper cell margins. The host system is not required to provide any controls or timings during these operations.

After the sector erase data cycle (the sixth bus cycle) of the command sequence is issued, a sector erase time-out of 50 μ s (typical), measured from the rising edge of the final WE# pulse in that bus cycle, begins. During this time, an additional sector erase data cycle, specifying the sector address of another sector to be erased, may be written into an internal sector erase buffer. This buffer may be loaded in any sequence, and the number of sectors specified may be from one sector to all sectors. The only restriction is that the time between these additional data cycles must be less than 50 μ s, otherwise erasure may begin before the last data cycle is accepted. To ensure that all data cycles are accepted, it is recommended that host processor interrupts be disabled during the time that the additional cycles are being issued and then be re-enabled afterwards.

Note: The device is capable of accepting three ways of invoking Erase Commands for additional sectors during the time-out window. The preferred method, described above, is the sector erase data cycle after the initial six bus cycle command sequence. However, the device also accepts the following methods of specifying additional sectors during the sector erase time-out:

- Repeat the entire six-cycle command sequence, specifying the additional sector in the sixth cycle.
- Repeat the last three cycles of the six-cycle command sequence, specifying the additional sector in the third cycle.

If all sectors scheduled for erasing are within protected sector groups, the device returns to reading array data after approximately 100 μ s. If at

least one selected sector is not protected, the erase operation erases the unprotected sectors, and ignores the command for the selected sectors that are protected.

The system can monitor DQ[3] to determine if the 50 μ s sector erase time-out has expired, as described in the Write Operation Status section. If the time between additional sector erase data cycles can be insured to be less than the time-out, the system need not monitor DQ[3].

Any command other than Sector Erase or Erase Suspend during the time-out period resets the device to reading array data. The system must then rewrite the command sequence, including any additional sector erase data cycles. Once the sector erase operation itself has begun, only the Erase Suspend command is valid. All other commands are ignored.

As for the Chip Erase command, note that a hardware reset immediately terminates the erase operation. To ensure data integrity, the aborted Sector Erase command sequence should be reissued once the reset operation is complete.

When the Automatic Erase algorithm terminates, the device returns to the Read mode. Several methods are provided to allow the host to determine the status of the erase operation, as described in the Write Operation Status section.

Figure 6 illustrates the Sector Erase procedure.

Erase Suspend/Erase Resume Commands

The Erase Suspend command allows the system to interrupt a sector erase operation to read data from, or program data in, any sector not being erased. The command causes the erase operation to be suspended in all sectors selected for erasure. This command is valid only during the sector erase operation, including during the 50 μ s time-out period at the end of the initial command sequence and any subsequent sector erase data cycles, and is ignored if it is issued during chip erase or programming operations.

The HY29F080 requires a maximum of 15 μ s to suspend the erase operation if the Erase Suspend command is issued during active sector erasure. However, if the command is written during the time-out, the time-out is terminated and the erase operation is suspended immediately. Any subsequent attempts to specify additional sectors for

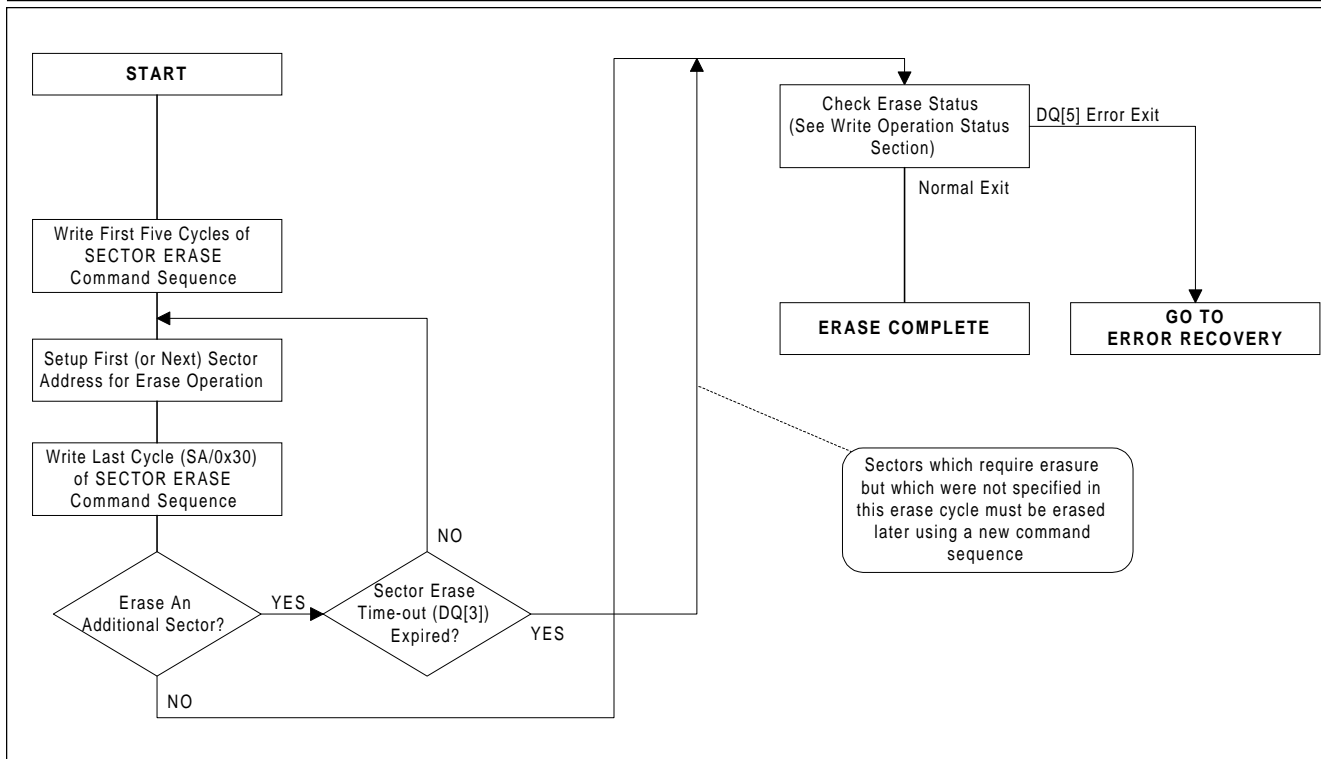


Figure 6. Sector Erase Procedure

erasure by writing the sector erase data cycle (SA/0x30) will be interpreted as the Erase Resume command (XXX/0x30), which will cause the Automatic Erase algorithm to begin its operation. Note that any other command during the time-out will reset the device to the Read mode.

Once the erase operation has been suspended, the system can read array data from or program data to any sector not selected for erasure. Normal read and write timings and command definitions apply. Reading at any address within erase-suspended sectors produces status data on DQ[7:0]. The host can use DQ[7], or DQ[6] and DQ[2] together, to determine if a sector is actively erasing or is erase-suspended. See “Write Operation Status” for information on these status bits.

After an erase-suspended program operation is complete, the host can initiate another programming operation (or read operation) within non-suspended sectors. The host can determine the status of a program operation during the erase-suspended state just as in the standard programming operation.

The system must write the Erase Resume command to exit the Erase Suspend mode and continue the sector erase operation. Further writes of

the Resume command are ignored. Another Erase Suspend command can be written after the device has resumed erasing.

The host may also write the Electronic ID command sequence when the device is in the Erase Suspend mode. The device allows reading Electronic ID codes even if the addresses used for the ID read cycles are within erasing sectors, since the codes are not stored in the memory array. When the device exits the Electronic ID mode, the device reverts to the Erase Suspend mode, and is ready for another valid operation. See Electronic ID section for more information.

Electronic ID Command

The Electronic ID operation intended for use in programming equipment has been described previously. The host processor can also be obtain the same data by using the Electronic ID command sequence shown in Table 5. This method does not require V_{ID} on any pin. The Electronic ID command sequence may be invoked while the device is in the Read mode or the Erase Suspend mode, but is invalid while the device is actively programming or erasing.

The Electronic ID command sequence is initiated by writing two unlock cycles, followed by the Electronic ID command. The device then enters the Electronic ID mode, and:

- A read cycle at address 0xXXX00 retrieves the manufacturer code (Hynix = 0xAD).
- A read cycle at address 0xXXX01 returns the device code (29F080 = 0xD5).
- A read cycle containing a sector group address (SGA) in A[19:17] and the address 0x02 in A[7:0] returns 0x01 if that sector is protected, or 0x00 if it is unprotected.

The host system may read at any address any number of times, without initiating another com-

mand sequence. Thus, for example, the host may determine the protection status for all sector groups by doing successive reads at address 0x02 while changing the SGA in A[19:17] for each cycle.

The system must write the Reset command to exit the Electronic ID mode and return to the Read mode, or to the Erase Suspend mode if the device was in that mode when the command sequence was issued.

WRITE OPERATION STATUS

The HY29F080 provides a number of facilities to determine the status of a program or erase operation. These are the RY/BY# (Ready/Busy#) pin and certain bits of a status word which can be

read from the device during the programming and erase operations. Table 6 summarizes the status indications and further detail is provided in the subsections which follow.

Table 6. Write and Erase Operation Status Summary

Mode	Operation	DQ[7] ¹	DQ[6]	DQ[5]	DQ[3]	DQ[2] ¹	RY/BY#
Normal	Programming in progress	DQ[7]#	Toggle	0/1 ²	N/A	N/A	0
	Programming completed	Data	Data ⁴	Data	Data	Data	1
	Erase in progress	0	Toggle	0/1 ²	1 ³	Toggle	0
	Erase completed	1	Data ⁴	Data	Data	Data ⁴	1
Erase Suspend	Read within erase suspended sector	1	No toggle	0	N/A	Toggle	1
	Read within non-erase suspended sector	Data	Data	Data	Data	Data	1
	Programming in progress ⁵	DQ[7]#	Toggle	0/1 ²	N/A	N/A	0
	Programming completed ⁵	Data	Data ⁴	Data	Data	Data	1

Notes:

1. A valid address is required when reading status information. See text for additional information.
2. DQ[5] status switches to a '1' when a program or erase operation exceeds the maximum timing limit.
3. A '1' during sector erase indicates that the 50 μ s timeout has expired and active erasure is in progress. DQ[3] is not applicable to the chip erase operation.
4. Equivalent to 'No Toggle' because data is obtained in this state.
5. Programming can be done only in a non-suspended sector (a sector not marked for erasure).

RY/BY# - Ready/Busy#

RY/BY# is an open-drain output pin that indicates whether a programming or erase Automatic Algorithm is in progress or has completed. A pull-up resistor to V_{CC} is required for proper operation. RY/BY# is valid after the rising edge of the final WE# pulse in the corresponding command sequence.

If the output is Low (busy), the device is actively erasing or programming, including programming while in the Erase Suspend mode. If the output is High (ready), the device has completed the operation and is ready to read array data in the normal or Erase Suspend modes, or it is in the standby mode.

DQ[7] - Data# Polling

The Data# (“Data Bar”) Polling bit, DQ[7], indicates to the host system whether an Automatic Algorithm is in progress or completed, or whether the device is in Erase Suspend mode. Data# Polling is valid after the rising edge of the final WE# pulse in the Program or Erase command sequence.

The system must do a read at the program address to obtain valid programming status information on this bit. While a programming operation is in progress, the device outputs the complement of the value programmed to DQ[7]. When the programming operation is complete, the device outputs the value programmed to DQ[7]. If a program operation is attempted within a protected sector, Data# Polling on DQ[7] is active for approximately 2 μ s, then the device returns to reading array data.

The host must read at an address within any non-protected sector scheduled for erasure to obtain valid erase status information on DQ[7]. During an erase operation, Data# Polling produces a “0” on DQ[7]. When the erase operation is complete, or if the device enters the Erase Suspend mode, Data# Polling produces a “1” on DQ[7]. If all sectors selected for erasing are protected, Data# Polling on DQ[7] is active for approximately 100 μ s, then the device returns to reading array data. If at least one selected sector is not protected, the erase operation erases the unprotected sectors, and ignores the command for the selected sectors that are protected.

When the system detects that DQ[7] has changed from the complement to true data (or “0” to “1” for erase), it should do an additional read cycle to read valid data from DQ[7:0]. This is because DQ[7] may change asynchronously with respect to the other data bits while Output Enable (OE#) is asserted low.

Figure 7 illustrates the Data# Polling test algorithm.

DQ[6] - Toggle Bit I

Toggle Bit I on DQ[6] indicates whether an Automatic Program or Erase algorithm is in progress or complete, or whether the device has entered the Erase Suspend mode. Toggle Bit I may be read at any address, and is valid after the rising edge of the final WE# pulse in the program or erase command sequence, including during the sector

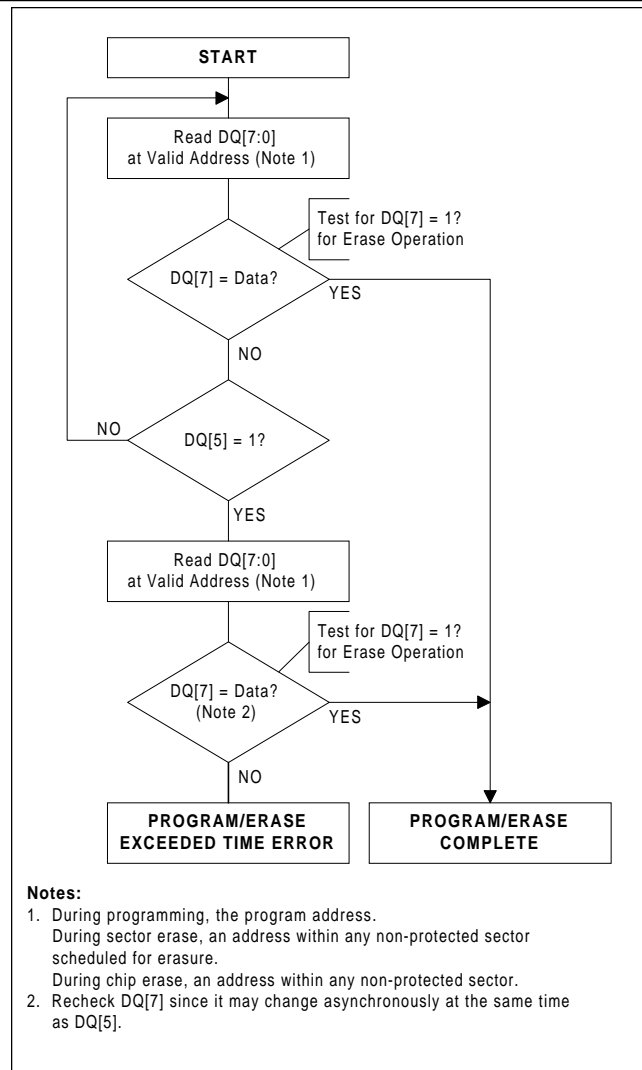


Figure 7. Data# Polling Test Algorithm

erase time-out. The system may use either OE# or CE# to control the read cycles.

Successive read cycles at any address during an Automatic Program algorithm operation (including programming while in Erase Suspend mode) cause DQ[6] to toggle. DQ[6] stops toggling when the operation is complete. If a program address falls within a protected sector, DQ[6] toggles for approximately 2 μ s after the program command sequence is written, then returns to reading array data.

While the Automatic Erase algorithm is operating, successive read cycles at any address cause DQ[6] to toggle. DQ[6] stops toggling when the erase operation is complete or when the device is placed in the Erase Suspend mode. The host may use DQ[2] to determine which sectors are erasing

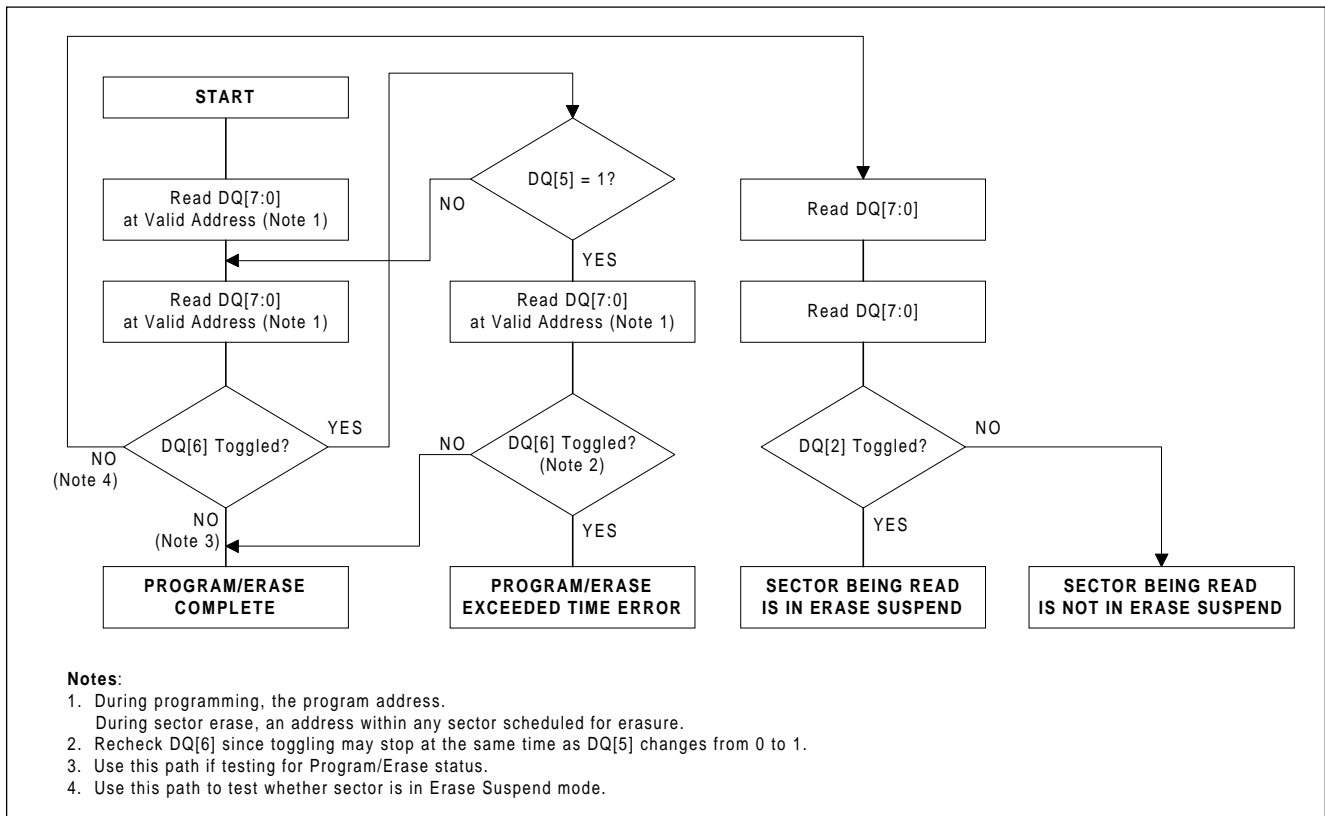


Figure 8. Toggle Bit I and II Test Algorithm

or erase-suspended (see below). After an Erase command sequence is written, if all sectors selected for erasing are protected, DQ[6] toggles for approximately 100 μs, then returns to reading array data. If at least one selected sector is not protected, the Automatic Erase algorithm erases the unprotected sectors, and ignores the selected sectors that are protected.

DQ[2] - Toggle Bit II

Toggle Bit II, DQ[2], when used with DQ[6], indicates whether a particular sector is actively erasing or whether that sector is erase-suspended. Toggle Bit II is valid after the rising edge of the final WE# pulse in the command sequence. The device toggles DQ[2] with each OE# or CE# read cycle.

DQ[2] toggles when the host reads at addresses within sectors that have been selected for erasure, but cannot distinguish whether the sector is actively erasing or is erase-suspended. DQ[6], by comparison, indicates whether the device is actively erasing or is in Erase Suspend, but cannot distinguish which sectors are selected for erasure.

Thus, both status bits are required for sector and mode information.

Figure 8 illustrates the operation of Toggle Bits I and II.

DQ[5] - Exceeded Timing Limits

DQ[5] is set to a '1' when the program or erase time has exceeded a specified internal pulse count limit. This is a failure condition that indicates that the program or erase cycle was not successfully completed. DQ[5] status is valid only while DQ[7] or DQ[6] indicate that an Automatic Algorithm is in progress.

The DQ[5] failure condition will also be signaled if the host tries to program a '1' to a location that is previously programmed to '0', since only an erase operation can change a '0' to a '1'.

For both of these conditions, the host must issue a Read/Reset command to return the device to the Read mode.

DQ[3] - Sector Erase Timer

After writing a Sector Erase command sequence, the host may read DQ[3] to determine whether or not an erase operation has begun. When the sector erase time-out expires and the sector erase operation commences, DQ[3] switches from a '0' to a '1'. Refer to the "Sector Erase Command" section for additional information. Note that the sector erase timer does not apply to the Chip Erase command.

After the initial Sector Erase command sequence is issued, the system should read the status on

DQ[7] (Data# Polling) or DQ[6] (Toggle Bit I) to ensure that the device has accepted the command sequence, and then read DQ[3]. If DQ[3] is a '1', the internally controlled erase cycle has begun and all further sector erase data cycles or commands (other than Erase Suspend) are ignored until the erase operation is complete. If DQ[3] is a '0', the device will accept a sector erase data cycle to mark an additional sector for erasure. To ensure that the data cycles have been accepted, the system software should check the status of DQ[3] prior to and following each subsequent sector erase data cycle. If DQ[3] is high on the second status check, the last data cycle might not have been accepted.

HARDWARE DATA PROTECTION

The HY29F080 provides several methods of protection to prevent accidental erasure or programming which might otherwise be caused by spurious system level signals during V_{CC} power-up and power-down transitions, or from system noise. These methods are described in the sections that follow.

Command Sequences

Commands that may alter array data require a sequence of cycles as described in Table 5. This provides data protection against inadvertent writes.

Low V_{CC} Write Inhibit

To protect data during V_{CC} power-up and power-down, the device does not accept write cycles when V_{CC} is less than V_{LKO} (typically 3.7 volts). The command register and all internal program/erase circuits are disabled, and the device resets to the Read mode. Writes are ignored until V_{CC} is greater than V_{LKO} . The system must provide the proper signals to the control pins to prevent unintentional writes when V_{CC} is greater than V_{LKO} .

Write Pulse "Glitch" Protection

Noise pulses of less than 5 ns (typical) on OE#, CE# or WE# do not initiate a write cycle.

Logical Inhibit

Write cycles are inhibited by asserting any one of the following conditions: OE# = V_{IL} , CE# = V_{IH} , or WE# = V_{IH} . To initiate a write cycle, CE# and WE# must be a logical zero while OE# is a logical one.

Power-Up Write Inhibit

If WE# = CE# = V_{IL} and OE# = V_{IH} during power up, the device does not accept commands on the rising edge of WE#. The internal state machine is automatically reset to the Read mode on power-up.

Sector Group Protection

Additional data protection is provided by the HY29F080's sector group protect feature, described previously, which can be used to protect sensitive areas of the Flash array from accidental or unauthorized attempts to alter the data.

ABSOLUTE MAXIMUM RATINGS⁴

Symbol	Parameter	Value	Unit
T_{STG}	Storage Temperature	-65 to +125	°C
T_{BIAS}	Ambient Temperature with Power Applied	-55 to +125	°C
V_{IN2}	Voltage on Pin with Respect to V_{SS} :		
	VCC ¹	-2.0 to +7.0	V
	A[9], OE#, RESET# ²	-2.0 to +13.5	V
	All Other Pins ¹	-2.0 to +7.0	V
I_{OS}	Output Short Circuit Current ³	200	mA

Notes:

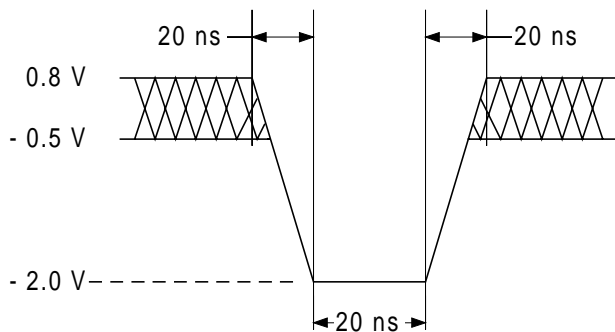
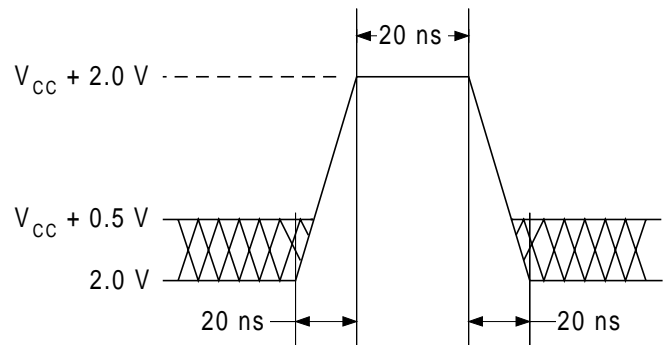
1. Minimum DC voltage on input or I/O pins is -0.5 V. During voltage transitions, input or I/O pins may undershoot V_{SS} to -2.0 V for periods of up to 20 ns. See Figure 9. Maximum DC voltage on input or I/O pins is $V_{CC} + 0.5$ V. During voltage transitions, input or I/O pins may overshoot to $V_{CC} + 2.0$ V for periods up to 20 ns. See Figure 10.
2. Minimum DC input voltage on pins A[9], OE#, and RESET# is -0.5 V. During voltage transitions, A[9], OE#, and RESET# may undershoot V_{SS} to -2.0 V for periods of up to 20 ns. See Figure 9. Maximum DC input voltage on these pins is $+12.5$ V which may overshoot to 13.5 V for periods up to 20 ns.
3. No more than one output at a time may be shorted to V_{SS} . Duration of the short circuit should be less than one second.
4. Stresses above those listed under "Absolute Maximum Ratings" may cause permanent damage to the device. This is a stress rating only; functional operation of the device at these or any other conditions above those indicated in the operational sections of this data sheet is not implied. Exposure of the device to absolute maximum rating conditions for extended periods may affect device reliability.

RECOMMENDED OPERATING CONDITIONS¹

Symbol	Parameter	Value	Unit
T_A	Ambient Operating Temperature	0 to +70	°C
V_{CC}	Operating Supply Voltage	+4.50 to +5.50	V

Notes:

1. Recommended Operating Conditions define those limits between which the functionality of the device is guaranteed.


Figure 9. Maximum Undershoot Waveform

Figure 10. Maximum Overshoot Waveform

DC CHARACTERISTICS

TTL/NMOS Compatible

Parameter	Description	Test Setup	Min	Typ	Max	Unit
I_{LI}	Input Load Current	$V_{IN} = V_{SS}$ to V_{CC} , $V_{CC} = V_{CC}$ Max			± 1.0	μA
I_{LIT}	A[9] Input Load Current	$V_{CC} = V_{CC}$ Max, A[9] = 12.5 V			50	μA
I_{LO}	Output Leakage Current	$V_{OUT} = V_{SS}$ to V_{CC} , $V_{CC} = V_{CC}$ Max			± 1.0	μA
I_{CC1}	V_{CC} Active Read Current ¹	CE# = V_{IL} , OE# = V_{IH}		25	40	mA
I_{CC2}	V_{CC} Active Write Current ^{2, 3}	CE# = V_{IL} , OE# = V_{IH}		40	60	mA
I_{CC3}	V_{CC} CE# Controlled TTL Standby Current	$V_{CC} = V_{CC}$ Max, CE# = RESET# = V_{IH}		0.4	1.0	mA
I_{CC4}	V_{CC} RESET# Controlled TTL Standby Current	$V_{CC} = V_{CC}$ Max, RESET# = V_{IL}		0.4	1.0	mA
V_{IL}	Input Low Voltage		-0.5		0.8	V
V_{IH}	Input High Voltage		2.0		$V_{CC} + 0.5$	V
V_{ID}	Voltage for Electronic ID and Temporary Sector Unprotect	$V_{CC} = 5.0V$	11.5		12.5	V
V_{OL}	Output Low Voltage	$V_{CC} = V_{CC}$ Min, $I_{OL} = 12.0ma$			0.45	V
V_{OH}	Output High Voltage	$V_{CC} = V_{CC}$ Min, $I_{OH} = -2.5 mA$	2.4			V
V_{LKO}	Low V_{CC} Lockout Voltage ³		3.2		4.2	V

Notes:

1. Includes both the DC Operating Current and the frequency dependent component at 6 MHz. The read component of the I_{CC} current is typically less than 1 ma/MHz with OE# at V_{IL} .
2. I_{CC} active while Automatic Erase or Automatic Program algorithm is in progress.
3. Not 100% tested.

DC CHARACTERISTICS
CMOS Compatible

Parameter	Description	Test Setup	Min	Typ	Max	Unit
I_{LI}	Input Load Current	$V_{IN} = V_{SS}$ to V_{CC} , $V_{CC} = V_{CC}$ Max			± 1.0	μA
I_{LIT}	A[9] Input Load Current	$V_{CC} = V_{CC}$ Max, A[9] = 12.5 V			50	μA
I_{LO}	Output Leakage Current	$V_{OUT} = V_{SS}$ to V_{CC} , $V_{CC} = V_{CC}$ Max			± 1.0	μA
I_{CC1}	V_{CC} Active Read Current ¹	CE# = V_{IL} , OE# = V_{IH}		25	40	mA
I_{CC2}	V_{CC} Active Write Current ^{2, 3}	CE# = V_{IL} , OE# = V_{IH}		30	40	mA
I_{CC3}	V_{CC} CE# Controlled CMOS Standby Current	$V_{CC} = V_{CC}$ Max, CE# = RESET# = $V_{CC} \pm 0.5V$		1	5	μA
I_{CC4}	V_{CC} RESET# Controlled CMOS Standby Current	$V_{CC} = V_{CC}$ Max, RESET# = $V_{SS} \pm 0.5V$		1	5	μA
V_{IL}	Input Low Voltage		-0.5		0.8	V
V_{IH}	Input High Voltage		$0.7 \times V_{CC}$		$V_{CC} + 0.3$	V
V_{ID}	Voltage for Electronic ID and Temporary Sector Unprotect	$V_{CC} = 5.0V$	11.5		12.5	V
V_{OL}	Output Low Voltage	$V_{CC} = V_{CC}$ Min, $I_{OL} = 12.0ma$			0.45	V
V_{OH}	Output High Voltage	$V_{CC} = V_{CC}$ Min, $I_{OH} = -2.5 mA$		$0.85 \times V_{CC}$		V
		$V_{CC} = V_{CC}$ Min, $I_{OH} = -100 \mu A$		$V_{CC} - 0.4$		V
V_{LKO}	Low V_{CC} Lockout Voltage ³		3.2		4.2	V

Notes:

1. Includes both the DC Operating Current and the frequency dependent component at 6 MHz. The read component of the I_{CC} current is typically less than 1 ma/MHz with OE# at V_{IL} .
2. I_{CC} active while Automatic Erase or Automatic Program algorithm is in progress.
3. Not 100% tested.

KEY TO SWITCHING WAVEFORMS

WAVEFORM	INPUTS	OUTPUTS
		Steady
		Changing from H to L
		Changing from L to H
	Don't Care, Any Change Permitted	Changing, State Unknown
	Does Not Apply	Centerline is High Impedance State (High Z)

TEST CONDITIONS

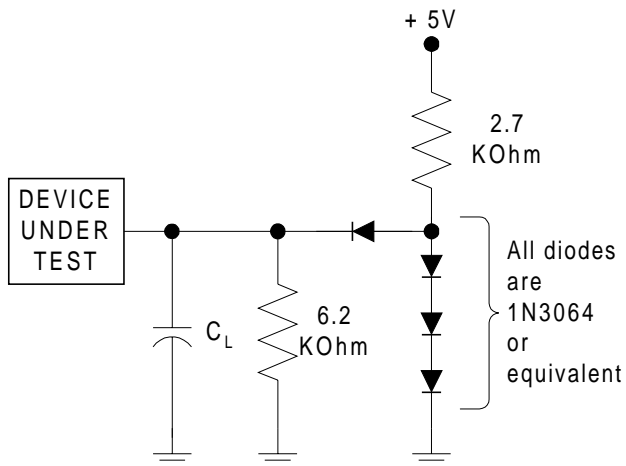


Figure 11. Test Setup

Table 7. Test Specifications

Test Condition	- 70 - 90 - 12	Unit
Output Load	1 TTL Gate	
Output Load Capacitance (C_L)	100	pF
Input Rise and Fall Times	20	ns
Input Signal Low Level	0.45	V
Input Signal High Level	2.4	V
Low Timing Measurement Signal Level	0.8	V
High Timing Measurement Signal Level	2.0	V

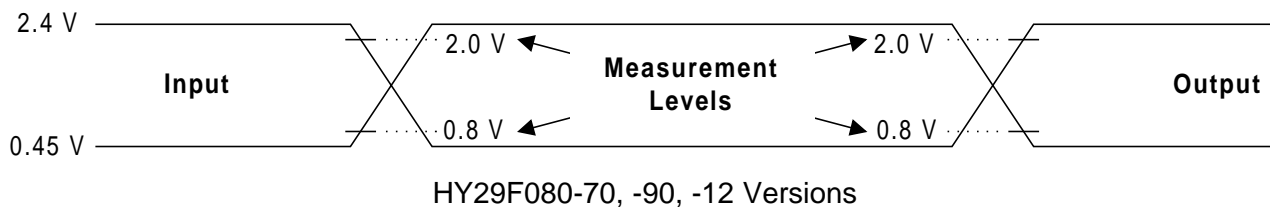


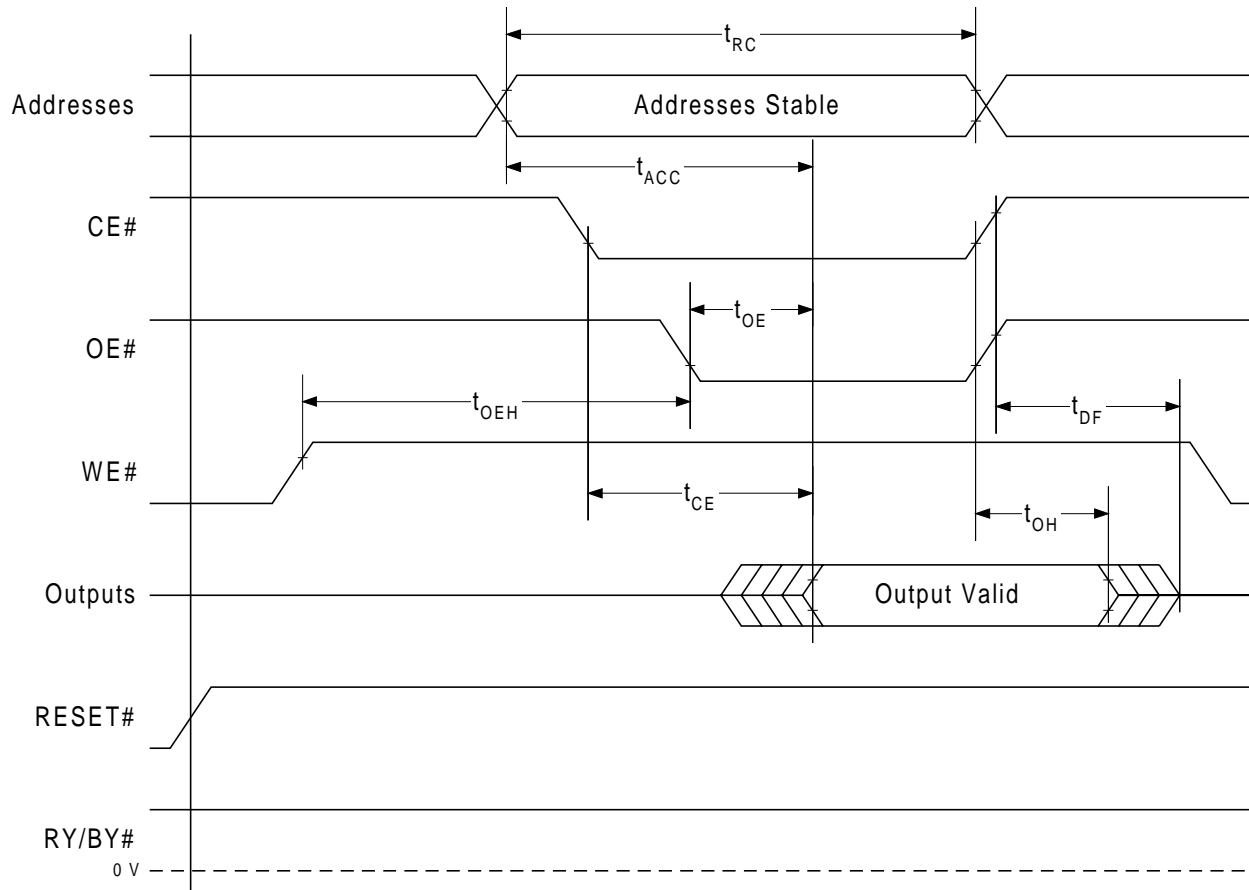
Figure 12. Input Waveforms and Measurement Levels

AC CHARACTERISTICS
Read Operations

Parameter		Description	Test Setup		Speed Option			Unit
JEDEC	Std				- 70	- 90	- 12	
t_{AVAV}	t_{RC}	Read Cycle Time (Note 1)		Min	70	90	120	ns
t_{AVQV}	t_{ACC}	Address to Output Delay	CE# = V_L OE# = V_L	Max	70	90	120	ns
t_{ELQV}	t_{CE}	Chip Enable to Output Delay	OE# = V_L	Max	70	90	120	ns
t_{EHQZ}	t_{DF}	Chip Enable to Output High Z (Note 1)		Max	20	20	30	ns
t_{GLQV}	t_{OE}	Output Enable to Output Delay	CE# = V_L	Max	30	35	50	ns
t_{GHQZ}	t_{DF}	Output Enable to Output High Z (Note 1)		Max	20	20	30	ns
	t_{OEh}	Output Enable Hold Time (Note 1)	Read	Min	0			ns
			Toggle and Data# Polling	Min	10			ns
t_{AXQX}	t_{OH}	Output Hold Time from Addresses, CE# or OE#, Whichever Occurs First (Note 1)		Min	0			ns

Notes:

- Not 100% tested.
- See Figure 11 and Table 7 for test conditions.


Figure 13. Read Operation Timings

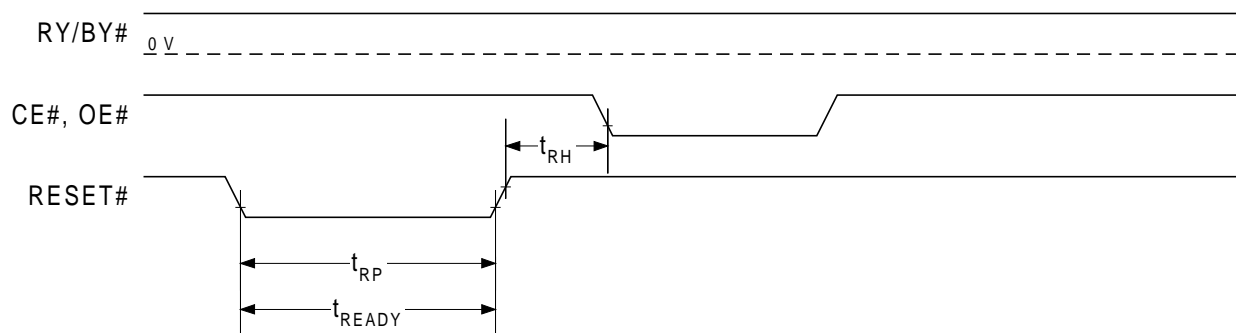
AC CHARACTERISTICS

Hardware Reset (RESET#)

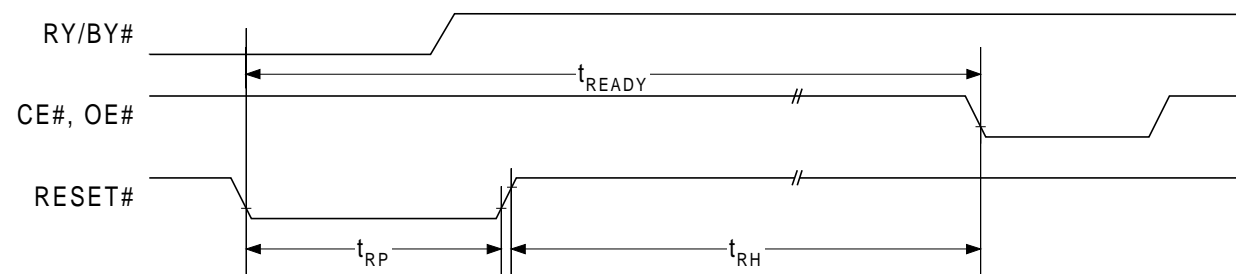
Parameter		Description	Test Setup		Speed Option			Unit
JEDEC	Std				- 70	- 90	- 12	
	t_{READY}	RESET# Pin Low (During Automatic Algorithms) to Read or Write (see Note 1)		Max	20			μ s
	t_{READY}	RESET# Pin Low (NOT During Automatic Algorithms) to Read or Write (see Note 1)		Max	500			ns
	t_{RP}	RESET# Pulse Width		Min	500			ns
	t_{RH}	RESET# High Time Before Read (see Note 1)		Min	50			ns

Notes:

1. Not 100% tested.
2. See Figure 11 and Table 7 for test conditions.



Reset Timings NOT During Automatic Algorithms



Reset Timings During Automatic Algorithms

Figure 14. RESET# Timings

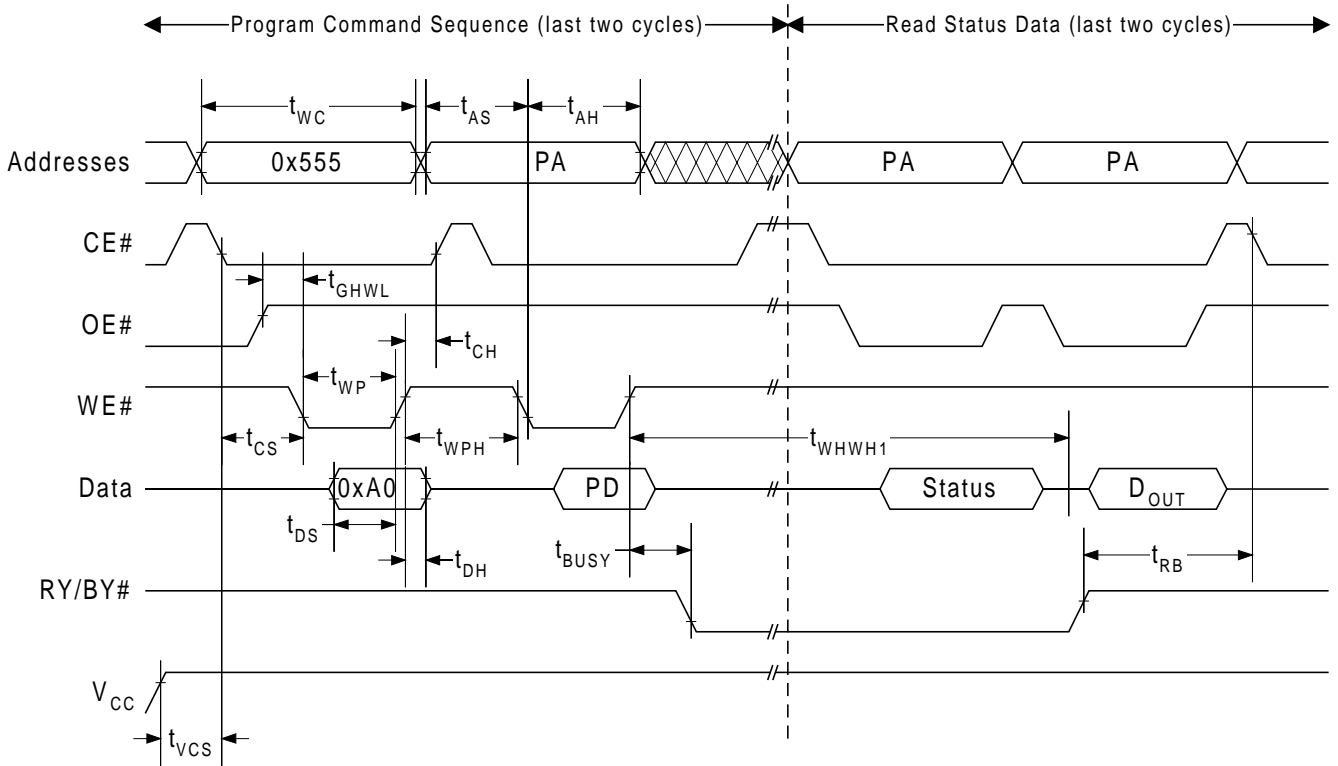
AC CHARACTERISTICS
Program and Erase Operations

Parameter		Description		Speed Option			Unit
JEDEC	Std			- 70	- 90	- 12	
t_{AVAV}	t_{WC}	Write Cycle Time (Note 1)	Min	70	90	120	ns
t_{AVWL}	t_{AS}	Address Setup Time	Min	0			ns
t_{WLAX}	t_{AH}	Address Hold Time	Min	45	45	50	ns
t_{DVWH}	t_{DS}	Data Setup Time	Min	30	45	50	ns
t_{WHDX}	t_{DH}	Data Hold Time	Min	0			ns
t_{GHWL}	t_{GHWL}	Read Recovery Time Before Write	Min	0			ns
t_{ELWL}	t_{CS}	CE# Setup Time	Min	0			ns
t_{WHEH}	t_{CH}	CE# Hold Time	Min	0			ns
t_{WLWH}	t_{WP}	Write Pulse Width	Min	35	45	50	ns
t_{WHWL}	t_{WPH}	Write Pulse Width High	Min	20			ns
t_{WHWH1}	t_{WHWH1}	Byte Programming Operation (Notes 1, 2, 3)	Typ	7			μ s
			Max	300			μ s
		Chip Programming Operation (Notes 1, 2, 3, 5)	Typ	7.2			sec
			Max	21.6			sec
t_{WHWH2}	t_{WHWH2}	Sector Erase Operation (Notes 1, 2, 4)	Typ	1			sec
			Max	8			sec
t_{WHWH3}	t_{WHWH3}	Chip Erase Operation (Notes 1, 2, 4)	Typ	16			sec
			Max	128			sec
		Erase and Program Cycle Endurance	Typ	1,000,000			cycles
			Min	100,000			cycles
	t_{VCS}	V_{CC} Setup Time	Min	50			μ s
	t_{RB}	Recovery Time from RY/BY#	Min	0			ns
	t_{BUSY}	WE# to RY/BY# Delay	Min	40	40	50	ns

Notes:

- Not 100% tested.
- Typical program and erase times assume the following conditions: 25 °C, V_{CC} = 5.0 volts, 100,000 cycles. In addition, programming typicals assume a checkerboard pattern. Maximum program and erase times are under worst case conditions of 90 °C, V_{CC} = 4.5 volts, 100,000 cycles.
- Excludes system-level overhead, which is the time required to execute the four-bus-cycle sequence for the program command. See Table 5 for further information on command sequences.
- Excludes 0x00 programming prior to erasure. In the preprogramming step of the Automatic Erase algorithm, all bytes are programmed to 0x00 before erasure.
- The typical chip programming time is considerably less than the maximum chip programming time listed since most bytes program faster than the maximum programming times specified. The device sets DQ[5] = 1 only if the maximum byte program time specified is exceeded. See Write Operation Status section for additional information.

AC CHARACTERISTICS

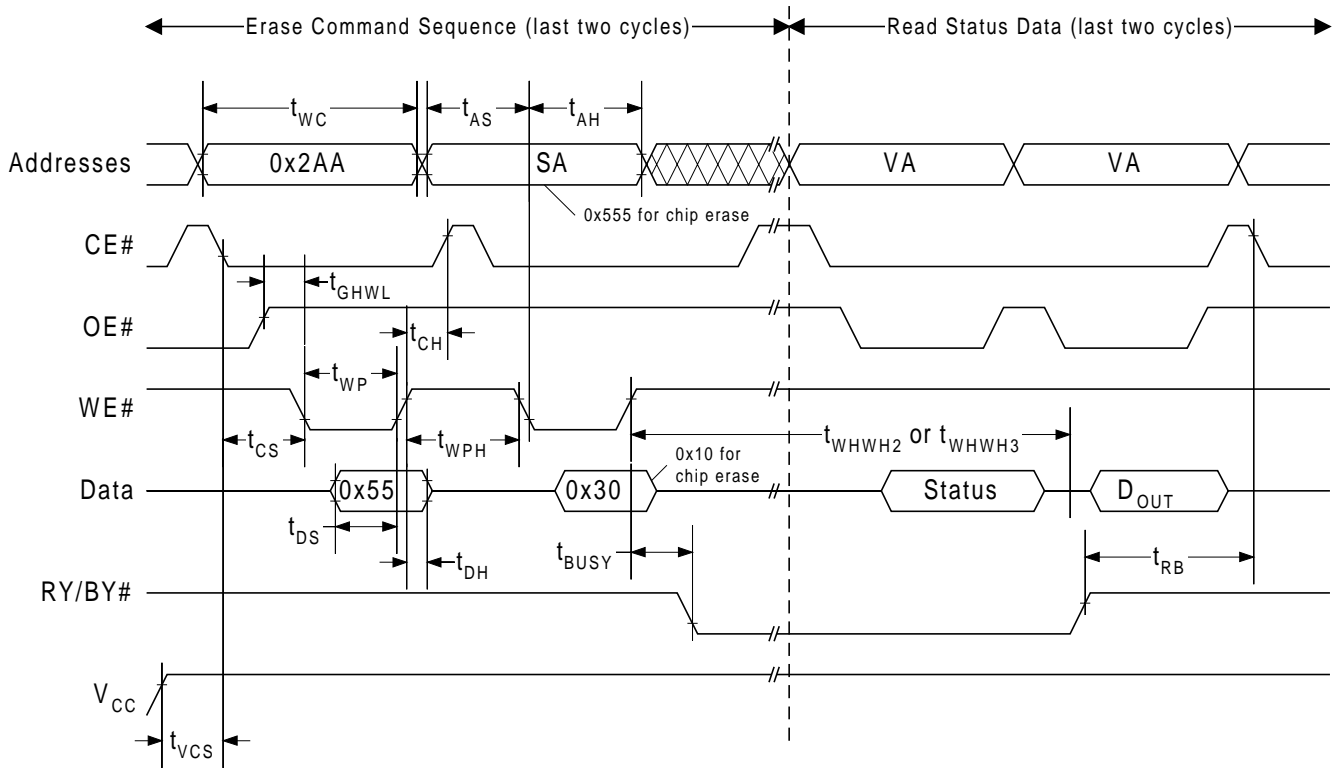


Notes:

1. PA = Program Address, PD = Program Data, D_{OUT} is the true data at the program address.
2. V_{CC} shown only to illustrate t_{VCS} measurement references. It cannot occur as shown during a valid command sequence.

Figure 15. Program Operation Timings

AC CHARACTERISTICS

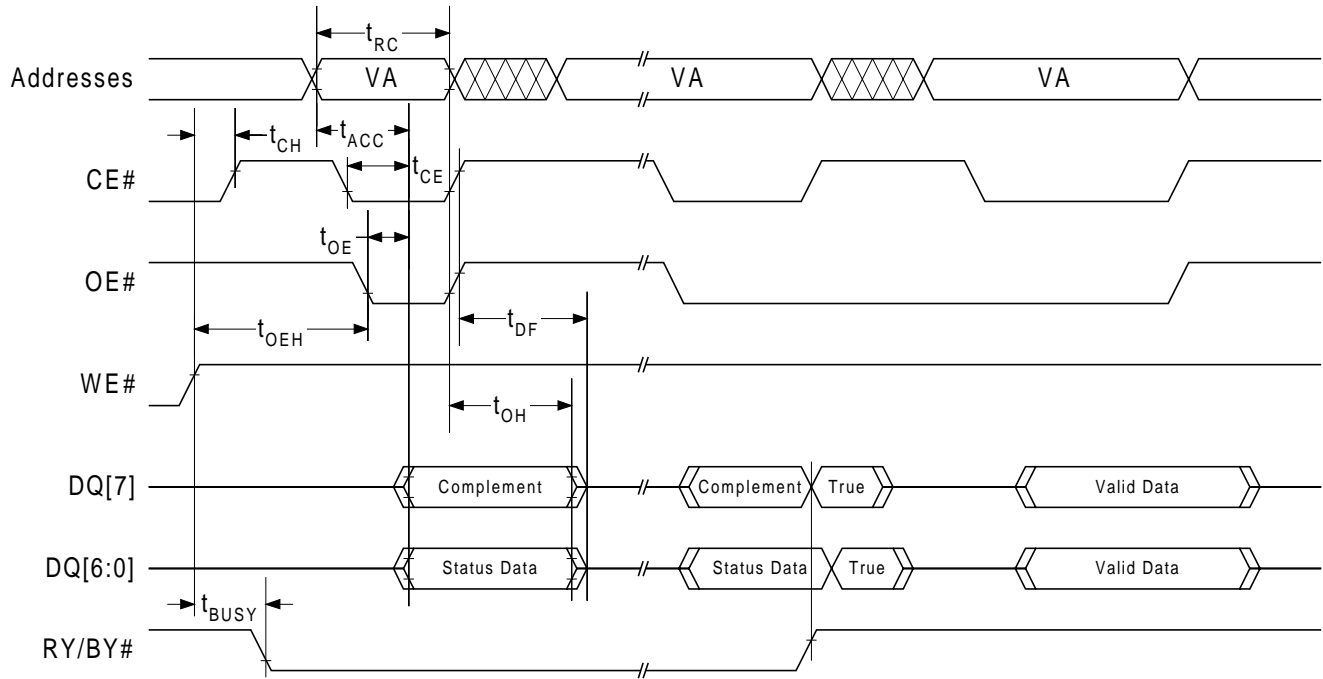


Notes:

1. SA =Sector Address (for sector erase), VA = Valid Address for reading status data (see Write Operation Status section), D_{OUT} is the true data at the read address.(0xFF after an erase operation).
2. V_{CC} shown only to illustrate t_{VCS} measurement references. It cannot occur as shown during a valid command sequence.

Figure 16. Sector/Chip Erase Operation Timings

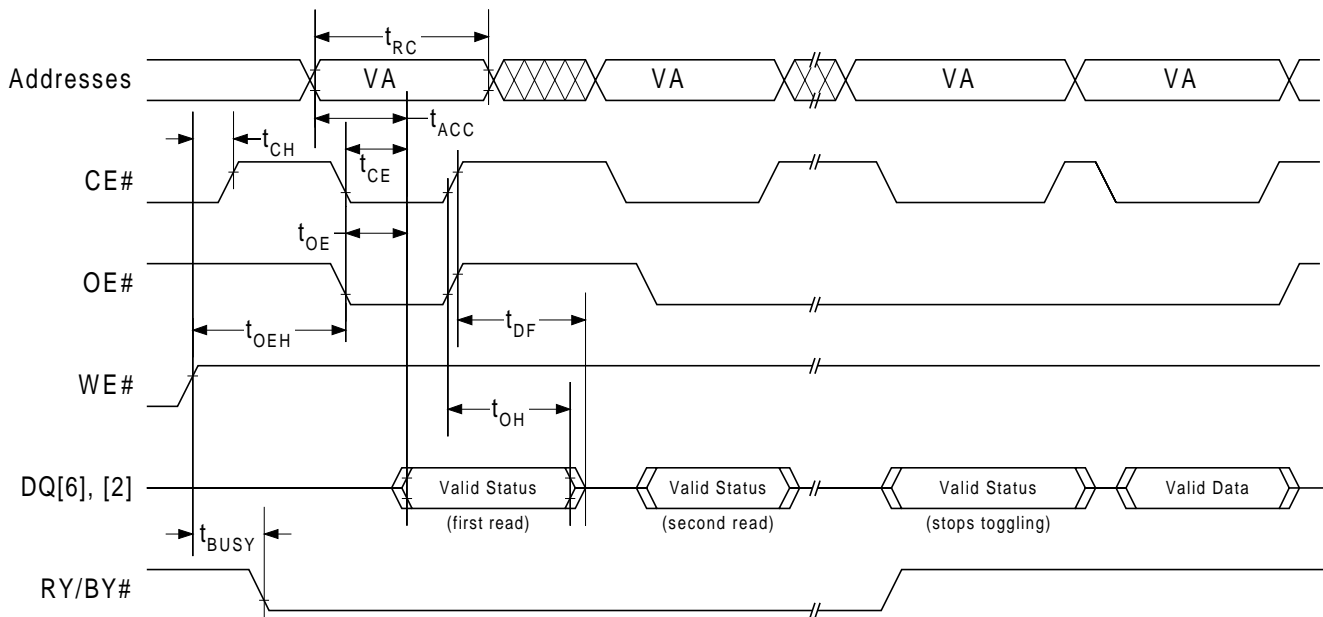
AC CHARACTERISTICS



Notes:

1. VA = Valid Address for reading Data# Polling status data (see Write Operation Status section).
2. Illustration shows first status cycle after command sequence, last status read cycle and array data read cycle.

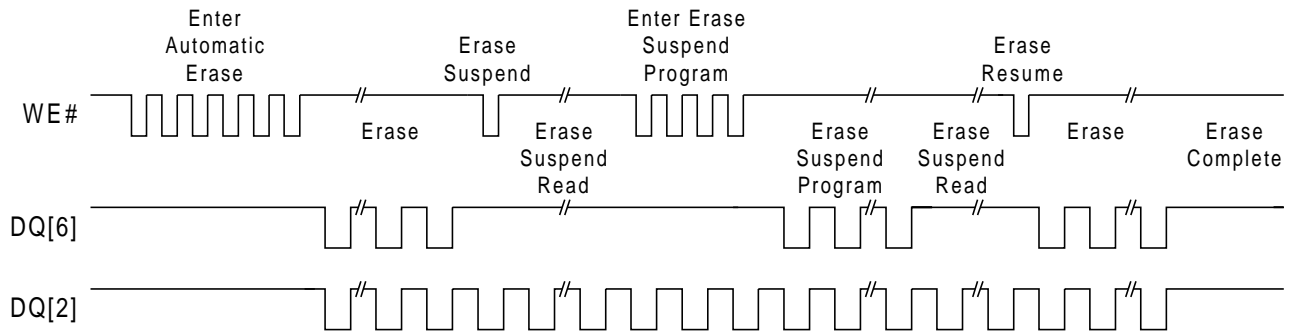
Figure 17. Data# Polling Timings (During Automatic Algorithms)



Notes:

1. VA = Valid Address for reading Toggle Bits (DQ2, DQ6) status data (see Write Operation Status section).
2. Illustration shows first two status read cycles after command sequence, last status read cycle and array data read cycle.

Figure 18. Toggle Polling Timings (During Automatic Algorithms)

AC CHARACTERISTICS

Notes:

1. The system may use CE# or OE# to toggle DQ[2] and DQ[6]. DQ[2] toggles only when read at an address within an erase-suspended sector.

Figure 19. DQ[2] and DQ[6] Operation
Sector Group Protect and Unprotect, Temporary Sector Group Unprotect

Parameter		Description		Speed Option			Unit
JEDEC	Std			- 70	- 90	- 12	
	t_{ST}	Voltage Setup Time	Min	50			μs
	t_{RSP}	RESET# Setup Time for Temporary Sector Group Unprotect	Min	4			μs
	t_{CE}	Chip Enable to Output Delay	Max	70	90	120	ns
	t_{OE}	Output Enable to Output Delay	Max	30	35	50	ns
	t_{VIDR}	Voltage Transition Time for Temporary Sector Group Unprotect (Note 1)	Min	500			ns
	t_{VLHT}	Voltage Transition Time for Sector Group Protect and Unprotect (Note 1)	Min	4			μs
	t_{WPP1}	Write Pulse Width for Sector Group Protect	Min	100			μs
	t_{WPP2}	Write Pulse Width for Sector Group Unprotect	Min	100			ms
	t_{OESP}	OE# Setup Time to WE# Active (Note 1)	Min	4			μs
	t_{CSP}	CE# Setup Time to WE# Active (Note 1)	Min	4			μs

Notes:

1. Not 100% tested.

AC CHARACTERISTICS

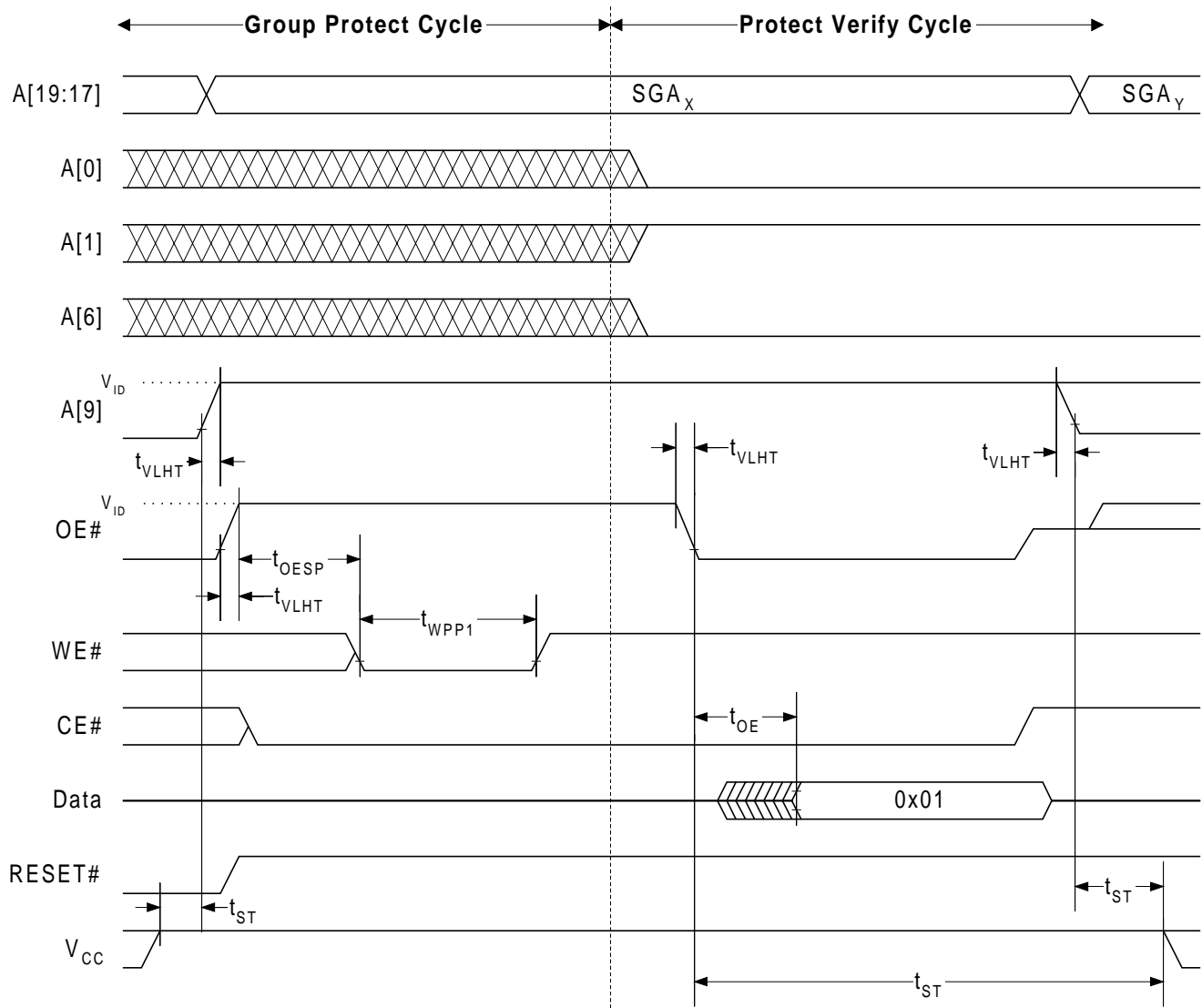


Figure 20. Sector Group Protect Timings

AC CHARACTERISTICS

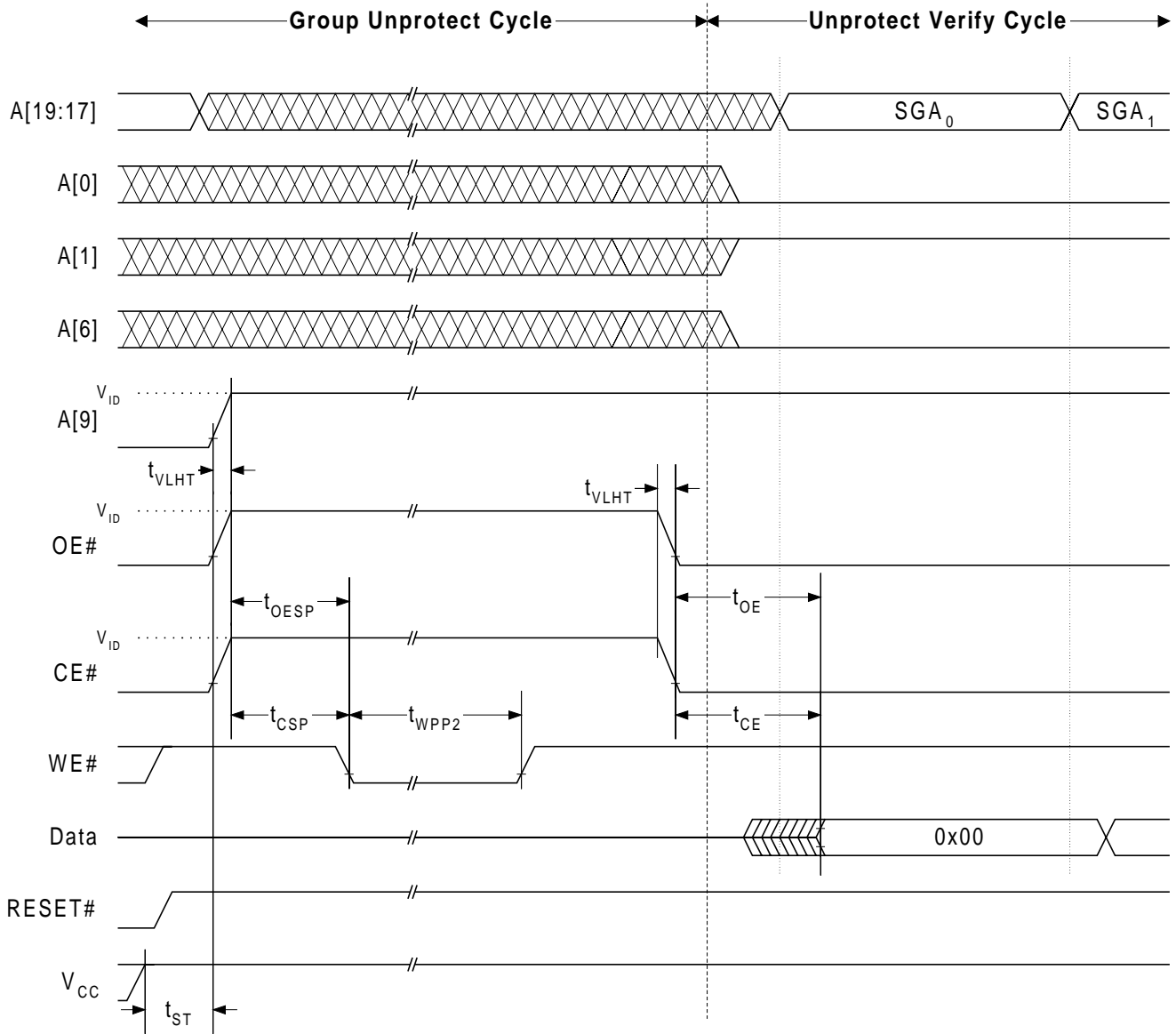


Figure 21. Sector Group Unprotect Timings

AC CHARACTERISTICS

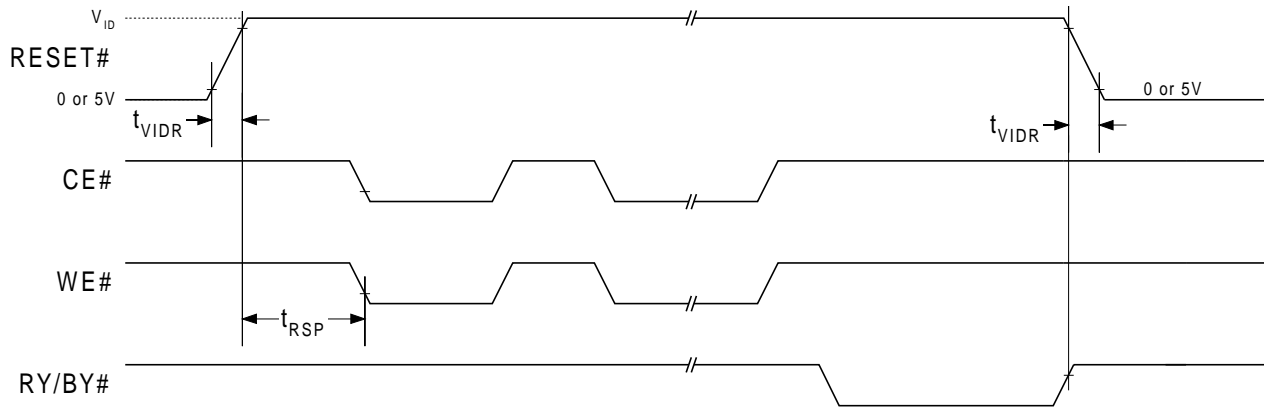


Figure 22. Temporary Sector Group Unprotect Timings

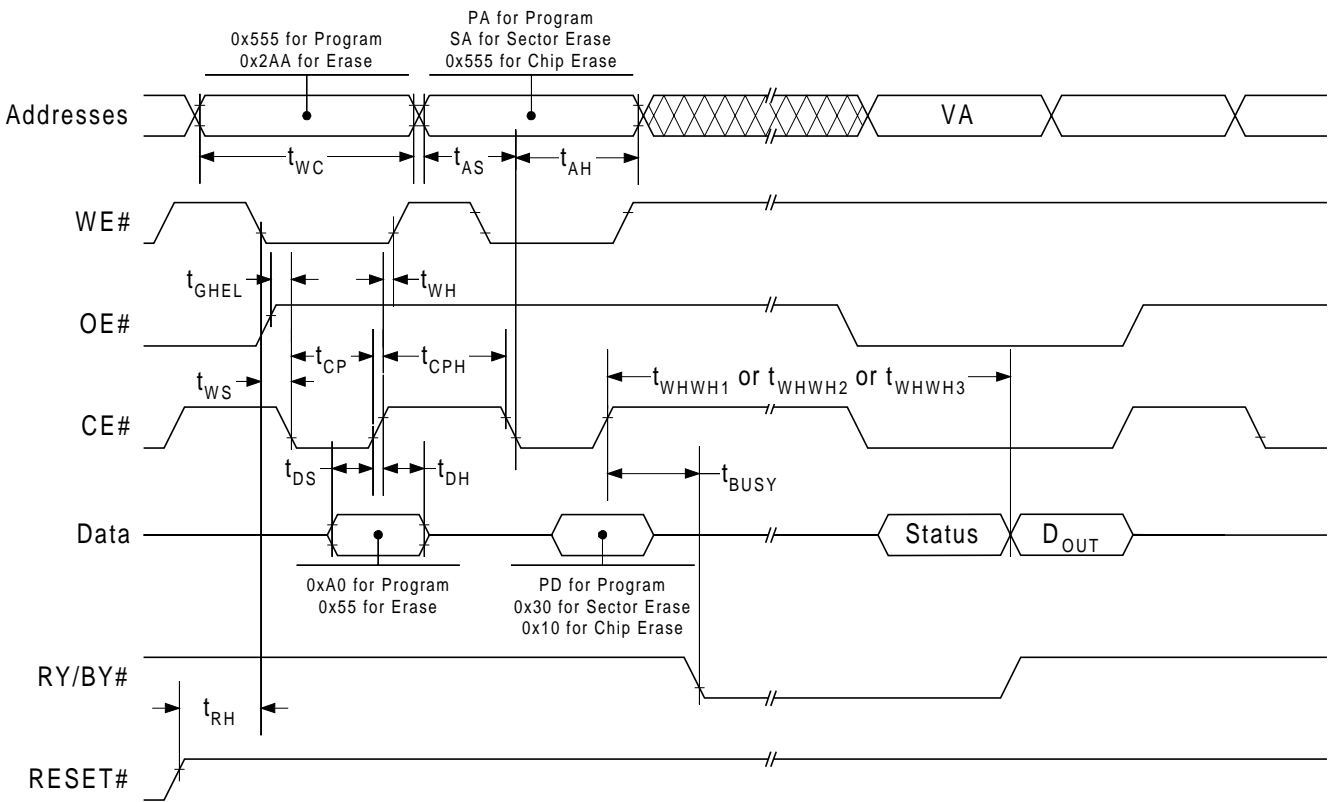
AC CHARACTERISTICS
Alternate CE# Controlled Erase/Program Operations

Parameter		Description		Speed Option			Unit
JEDEC	Std			- 70	- 90	- 12	
t_{AVAV}	t_{WC}	Write Cycle Time (Note 1)	Min	70	90	120	ns
t_{AVWL}	t_{AS}	Address Setup Time	Min	0			ns
t_{WLAX}	t_{AH}	Address Hold Time	Min	45	45	50	ns
t_{DVWH}	t_{DS}	Data Setup Time	Min	30	45	50	ns
t_{WHDX}	t_{DH}	Data Hold Time	Min	0			ns
t_{GHEL}	t_{GHEL}	Read Recovery Time Before Write	Min	0			ns
t_{WLEL}	t_{WS}	WE# Setup Time	Min	0			ns
t_{EHWH}	t_{WH}	WE# Hold Time	Min	0			ns
t_{ELEH}	t_{CP}	CE# Pulse Width	Min	35	45	50	ns
t_{EHEL}	t_{CPH}	CE# Pulse Width High	Min	20			ns
t_{WHWH1}	t_{WHWH1}	Byte Programming Operation (Notes 1, 2, 3)	Typ	7			μ s
			Max	300			μ s
		Chip Programming Operation (Notes 1, 2, 3, 5)	Typ	7.2			sec
			Max	21.6			sec
t_{WHWH2}	t_{WHWH2}	Sector Erase Operation (Notes 1, 2, 4)	Typ	1			sec
			Max	8			sec
t_{WHWH3}	t_{WHWH3}	Chip Erase Operation (Notes 1, 2, 4)	Typ	16			sec
			Max	128			sec
		Erase and Program Cycle Endurance	Typ	1,000,000			cycles
			Min	100,000			cycles

Notes:

- Not 100% tested.
- Typical program and erase times assume the following conditions: 25 °C, $V_{CC} = 5.0$ volts, 100,000 cycles. In addition, programming typicals assume a checkerboard pattern. Maximum program and erase times are under worst case conditions of 90 °C, $V_{CC} = 4.5$ volts, 100,000 cycles.
- Excludes system-level overhead, which is the time required to execute the four-bus-cycle sequence for the program command. See Table 5 for further information on command sequences.
- Excludes 0x00 programming prior to erasure. In the preprogramming step of the Automatic Erase algorithm, all bytes are programmed to 0x00 before erasure.
- The typical chip programming time is considerably less than the maximum chip programming time listed since most bytes program faster than the maximum programming times specified. The device sets $DQ[5] = 1$ only if the maximum byte program time specified is exceeded. See Write Operation Status section for additional information.

AC CHARACTERISTICS



Notes:

1. PA = program address, PD = program data, VA = Valid Address for reading program or erase status (see Write Operation Status section), D_{OUT} = array data read at VA.
2. Illustration shows the last two cycles of the program or erase command sequence and the last status read cycle.
3. Word mode addressing shown.
4. RESET# shown only to illustrate t_{RH} measurement references. It cannot occur as shown during a valid command sequence.

Figure 23. Alternate CE# Controlled Write Operation Timings

Latchup Characteristics

Description	Minimum	Maximum	Unit
Input voltage with respect to V_{SS} on all I/O pins	- 1.0	$V_{CC} + 1.0$	V
V_{CC} Current	- 100	100	mA

Notes:

- Includes all pins except V_{CC} . Test conditions: $V_{CC} = 5.0V$, one pin at a time.

TSOP Pin Capacitance

Symbol	Parameter	Test Setup	Typ	Max	Unit
C_{IN}	Input Capacitance	$V_{IN} = 0$	6	7.5	pF
C_{OUT}	Output Capacitance	$V_{OUT} = 0$	8.5	12	pF
C_{IN2}	Control Pin Capacitance	$V_{IN} = 0$	8	9	pF

Notes:

- Sampled, not 100% tested.
- Test conditions: $T_A = 25\text{ }^\circ\text{C}$, $f = 1.0\text{ MHz}$.

PSOP Pin Capacitance

Symbol	Parameter	Test Setup	Typ	Max	Unit
C_{IN}	Input Capacitance	$V_{IN} = 0$	6	7.5	pF
C_{OUT}	Output Capacitance	$V_{OUT} = 0$	8.5	12	pF
C_{IN2}	Control Pin Capacitance	$V_{IN} = 0$	7.5	10	pF

Notes:

- Sampled, not 100% tested.
- Test conditions: $T_A = 25\text{ }^\circ\text{C}$, $f = 1.0\text{ MHz}$.

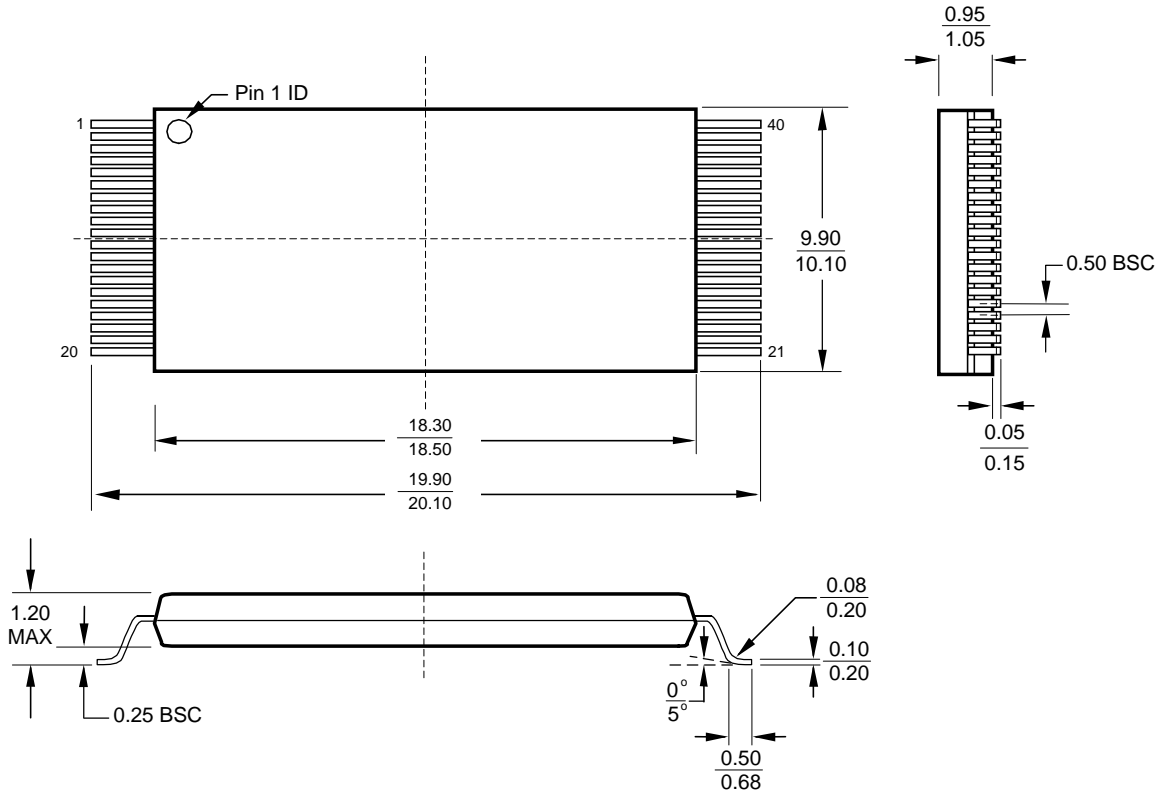
Data Retention

Parameter	Test Conditions	Minimum	Unit
Minimum Pattern Data Retention Time	150 $^\circ\text{C}$	10	Years
	125 $^\circ\text{C}$	20	Years

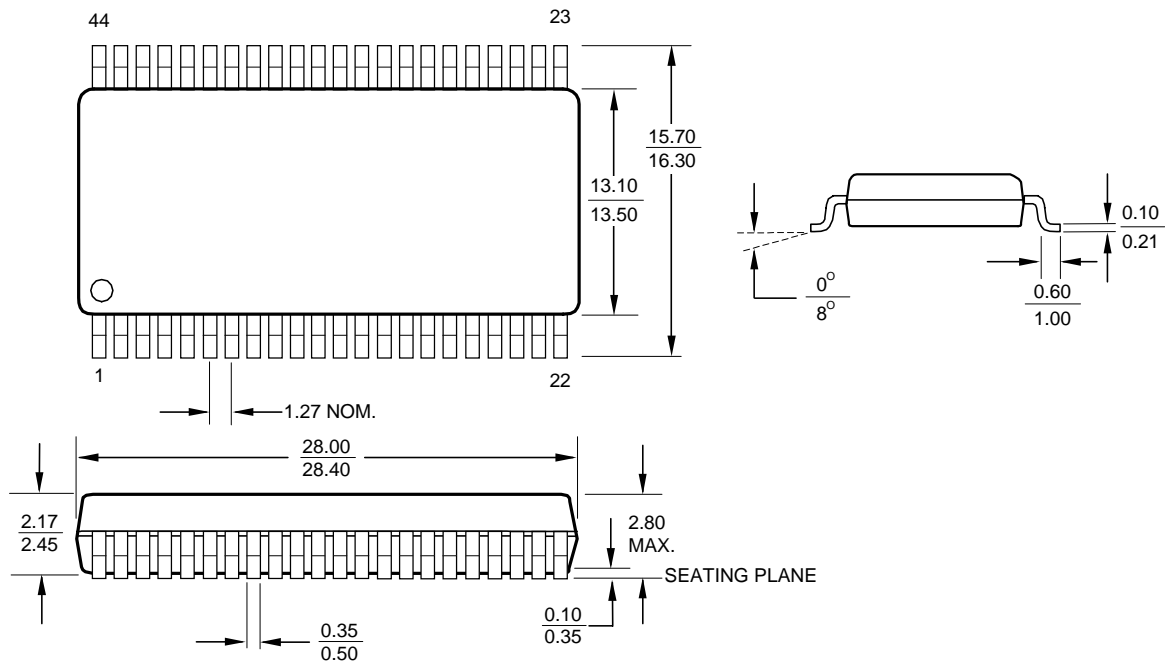
PACKAGE DRAWINGS

Physical Dimensions

TSOP40 - 40-pin Thin Small Outline Package (measurements in millimeters)

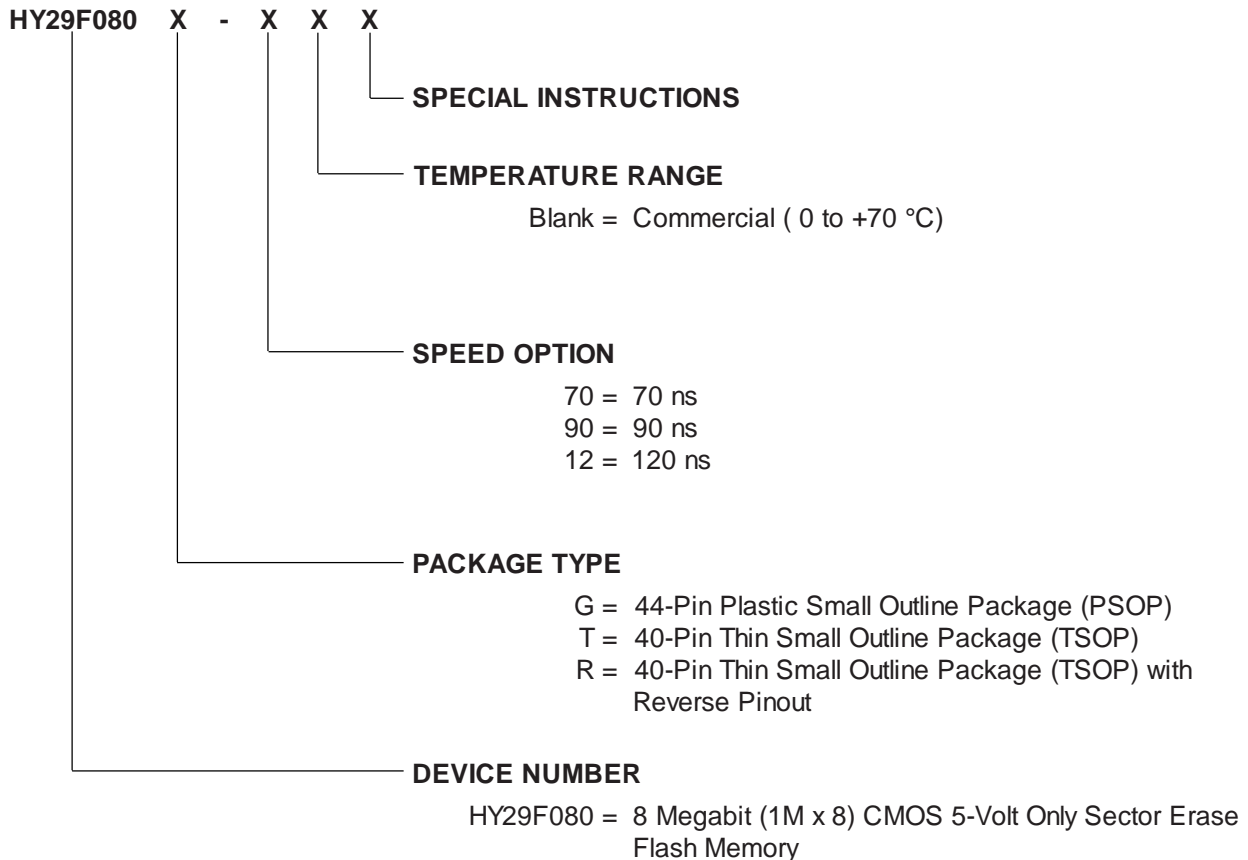


PSOP44 - 44-pin Plastic Small Outline Package (measurements in millimeters)



ORDERING INFORMATION

Hynix products are available in several speeds, packages and operating temperature ranges. The ordering part number is formed by combining a number of fields, as indicated below. Refer to the 'Valid Combinations' table, which lists the configurations that are planned to be supported in volume. Please contact your local Hynix representative or distributor to confirm current availability of specific configurations and to determine if additional configurations have been released.


VALID COMBINATIONS

	Package and Speed								
	PSOP			TSOP			Reverse TSOP		
Temperature	70 ns	90 ns	120 ns	70 ns	90 ns	120 ns	70 ns	90 ns	120 ns
Commercial	G-70	G-90	G-12	T-70	T-90	T-12	R-70	R-90	R-12

Note:

- The complete part number is formed by appending the suffix shown in the table to the Device Number. For example, the part number for a 90 ns, Commercial temperature range device in the TSOP package is *HY29F080T-90*.

Important Notice

© 2001 by Hynix Semiconductor America. All rights reserved. No part of this document may be copied or reproduced in any form or by any means without the prior written consent of Hynix Semiconductor Inc. or Hynix Semiconductor America (collectively "Hynix").

The information in this document is subject to change without notice. Hynix shall not be responsible for any errors that may appear in this document and makes no commitment to update or keep current the information contained in this document. Hynix advises its customers to obtain the latest version of the device specification to verify, before placing orders, that the information being relied upon by the customer is current.

Devices sold by Hynix are covered by warranty and patent indemnification provisions appearing in Hynix Terms and Condi-

tions of Sale only. Hynix makes no warranty, express, statutory, implied or by description, regarding the information set forth herein or regarding the freedom of the described devices from intellectual property infringement. Hynix makes no warranty of merchantability or fitness for any purpose.

Hynix's products are not authorized for use as critical components in life support devices or systems unless a specific written agreement pertaining to such intended use is executed between the customer and Hynix prior to use. Life support devices or systems are those which are intended for surgical implantation into the body, or which sustain life whose failure to perform, when properly used in accordance with instructions for use provided in the labeling, can be reasonably expected to result in significant injury to the user.

Revision Record		
Rev.	Date	Details
6.1	5/01	Change to Hynix format. Removed 55 ns speed option and Industrial and Extended temperature options.



Memory Sales and Marketing Division
 Hynix Semiconductor Inc.
 10 Fl., Hynix Youngdong Building
 89, Daechi-dong
 Kangnam-gu
 Seoul, Korea

Telephone: +82-2-580-5000
 Fax: +82-2-3459-3990

<http://www.hynix.com>

Flash Memory Business Unit
 Hynix Semiconductor America Inc.
 3101 North First Street
 San Jose, CA 95134
 USA

Telephone: (408) 232-8800
 Fax: (408) 232-8805

<http://www.us.hynix.com>