

*RoHS COMPLIANT



BOURNS®

Features

- Surface Mount / Single Turn / Cermet Industrial / Sealed
- Compatible with surface mount manufacturing processes
- Compatible with popular vacuum pick-and-place equipment

- J-hook, gull-wing and pinned configurations
- Side adjust available
- Meets EIA/EIAJ/IPC/VECI SMD standard trimmer designs
- RoHS compliant* - see processing information on lead free surface mount trimmers

3314 - 4 mm Square Trimming Potentiometer

Electrical Characteristics

Standard Resistance Range10 ohms to 2 megohms (see standard resistance table)
 Resistance Tolerance±20 % std. (tighter tolerance available)
 End Resistance.....1 % or 2 ohms max. (whichever is greater)
 Contact Resistance Variation3 % or 3 ohms
 Resolution.....Infinite
 Insulation Resistance500 vdc. 100 megohms min.
 Dielectric Strength
 Sea Level.....500 vac (1 minute)
 Adjustment Angle210 ° nom.

Environmental Characteristics

Power Rating (300 volts max.)
 70 °C0.25 watt
 125 °C0 watt
 Temperature Range.....-55 °C to +125 °C
 Temperature Coefficient±100 ppm/°C
 Humidity90-98 % RH, 10 cycles, 240 hours
 TRS ±2 %; IR 10 megohms
 Vibration20 G TRS ±1 %; VRS ±1 %
 Shock100 G TRS ±1 %; VRS ±1 %
 Load Life
(@ 70 °C Rated Power 1000 Hours)
 TRS ±3 %
 Rotational Life100 cycles
 TRS ±3 %
 Thermal Shock5 cycles
 TRS ±2 %; VRS ±1 %

Physical Characteristics

Mechanical Angle240 ° nom.
 Torque180 g-cm typical
 Stop Strength300 g-cm typical
 Pushover Strength (Z Style)2 kilograms (4.4 lbs.) minimum
 WeightApproximately 0.01 oz.
 MarkingManufacturer's code, resistance code and date code
 Wiper.....50 % (Actual TR) ±10 %
 FlammabilityU.L. 94V-0
 Standard Packaging
 J, G and R500 pcs./7 " reel
 S and Z200 pcs./7 " reel
 H100 pcs./tube
 Adjustment ToolH-90

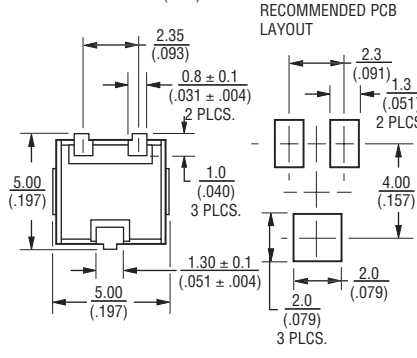
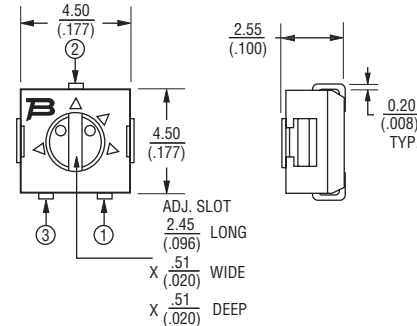
TOLERANCES: ± 0.25 (.010) EXCEPT WHERE NOTED

DIMENSIONS ARE: $\frac{\text{MM}}{\text{(INCHES)}}$

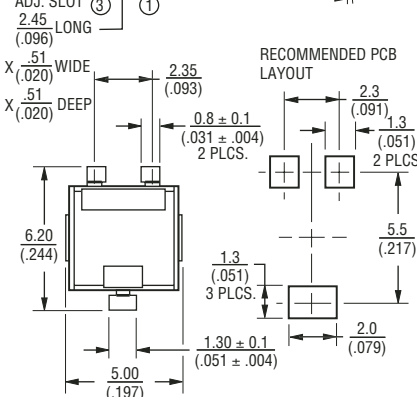
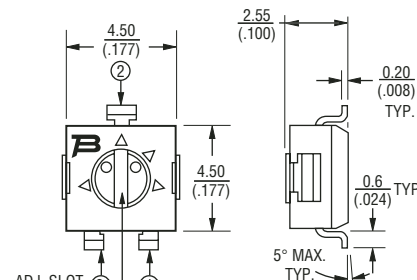
*RoHS Directive 2002/95/EC Jan 27 2003 including Annex. Specifications are subject to change without notice. Customers should verify actual device performance in their specific applications.

Product Dimensions

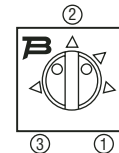
3314J-1



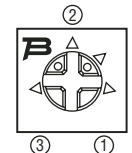
3314G-1



3314J-1, G-1, R-1, H-1 (Bourns Marking, Straight Slot)



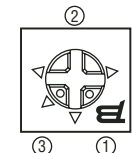
3314J-2, G-2, R-2, H-2 (Bourns Marking, Cross Slot)



3314J-3, G-3, R-3, H-3 (Reverse Marking, Straight Slot)



3314J-4, G-4, R-4, H-4 (Reverse Marking, Cross Slot)



How To Order

3314 J - 1 - 502 E

Model _____
 Style _____
 Standard or Modified Product Indicator (Styles J, G, R, H & S)
 -1 = Single Slot
 -2 = Cross Slot
 -3 = Single Slot w/Reverse Marking
 -4 = Cross Slot w/Reverse Marking
 Product Indicator (Style Z only)
 -GA4 = Single Slot
 -1 = Cross Slot
 -3 = Single Slot w/Reverse Marking
 -4 = Cross Slot w/Reverse Marking
 Resistance Code _____
 Embossed Tape Designator** _____

E = Styles J, G and R: 500 pcs./7 " reel
 Styles S and Z: 200 pcs./7 " reel
 G = Styles J and G: 3000 pcs./13 " reel
 Style R: 2500 pcs./13 " reel
 Styles S and Z: 1000 pcs./13 " reel

**Style H is available in tube packaging only.

Standard Resistance Table

Resistance (Ohms)	Resistance Code
10	100
20	200
50	500
100	101
200	201
500	501
1,000	102
2,000	202
5,000	502
10,000	103
20,000	203
50,000	503
100,000	104
200,000	204
250,000	254
500,000	504
1,000,000	105
2,000,000	205

Popular distribution resistance values listed in boldface. Special resistances available.

Additional Features

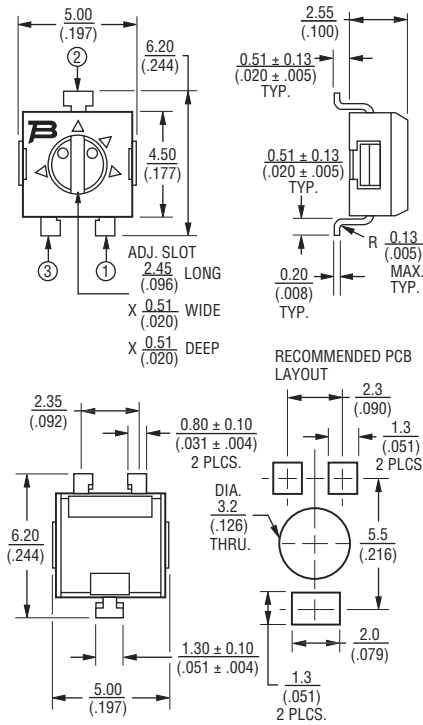
- Model 3314 has been approved for use by DESC on drawings 88039 (3314J) and 90027 (3314G)

3314 - 4 mm Square Trimming Potentiometer

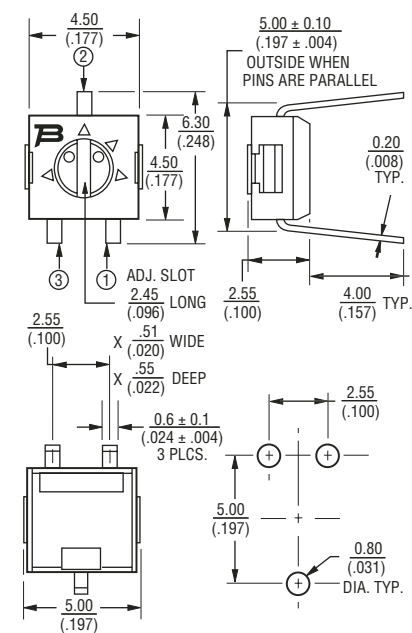
BOURNS®

Product Dimensions

3314R-1

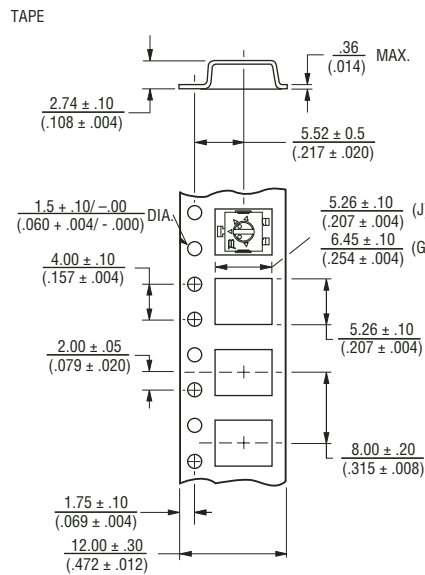


3314H-1

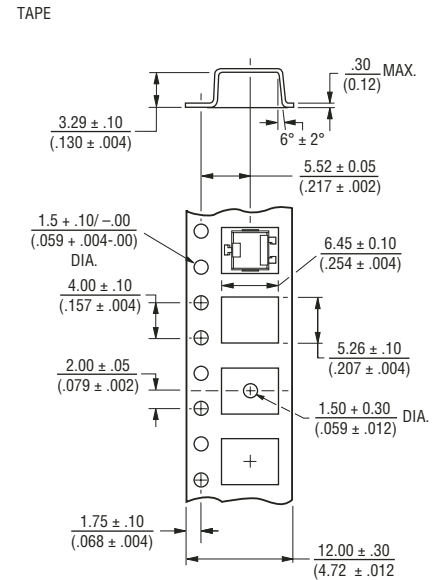


Packaging Specifications - J, G and R Styles

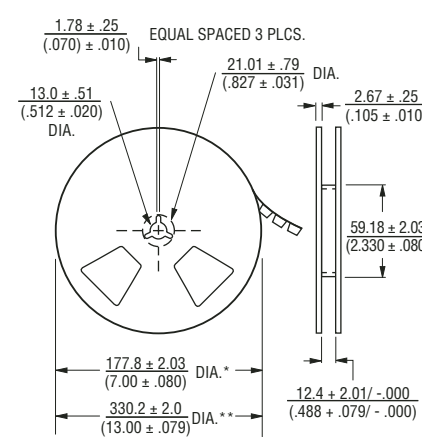
(J, G Styles)



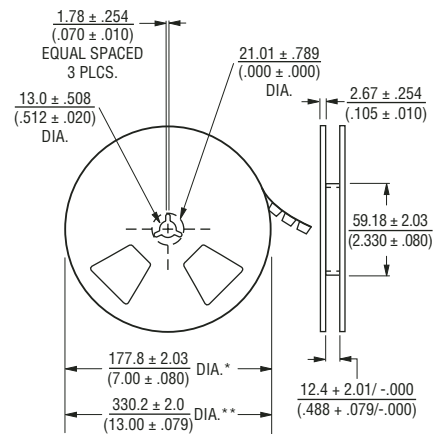
(R Style)



REEL

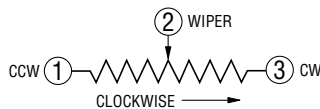


REEL



- * Embossed Tape Designator "E"
- ** Embossed Tape Designator "G"
- (See How To Order chart for further information.)

Meets EIA specification 481.



- * Embossed Tape Designator "E"
- ** Embossed Tape Designator "G"
- (See How To Order chart for further information.)

Meets EIA specification 481.

TOLERANCES: ± 0.25 (.010) EXCEPT WHERE NOTED

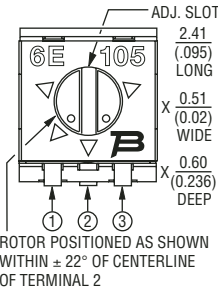
DIMENSIONS ARE: $\frac{\text{MM}}{\text{(INCHES)}}$

3314 - 4 mm Square Trimming Potentiometer

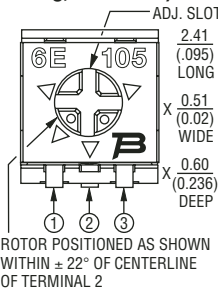
BOURNS®

Product Dimensions

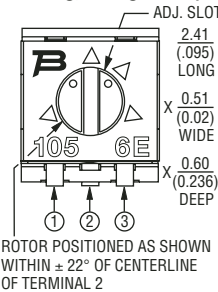
3314S-1 (Bourns Marking, Straight Slot)



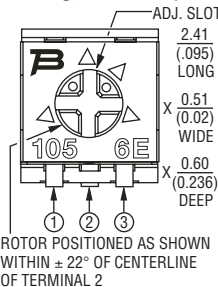
3314S-2 (Bourns Marking, Cross Slot)



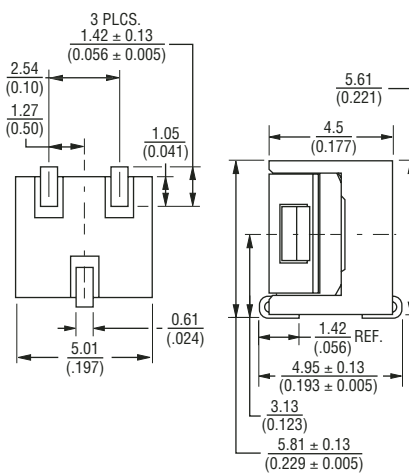
3314S-3 (Reverse Marking, Straight Slot)



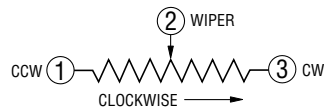
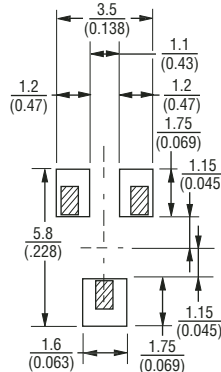
3314S-4 (Reverse Marking, Cross Slot)



3314S Common Dimensions



RECOMMENDED PCB LAYOUT



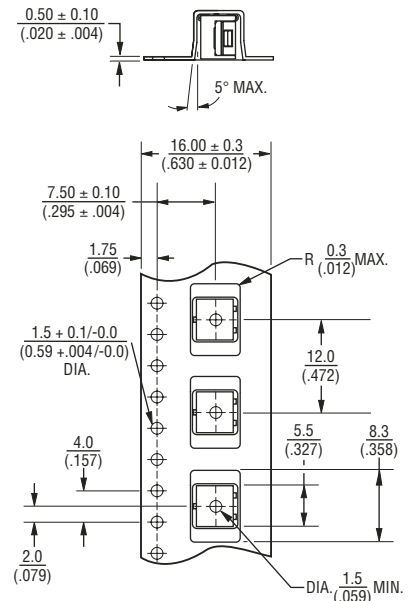
TOLERANCES: ± 0.30 (.012) EXCEPT WHERE NOTED

DIMENSIONS ARE: $\frac{\text{MM}}{\text{(INCHES)}}$

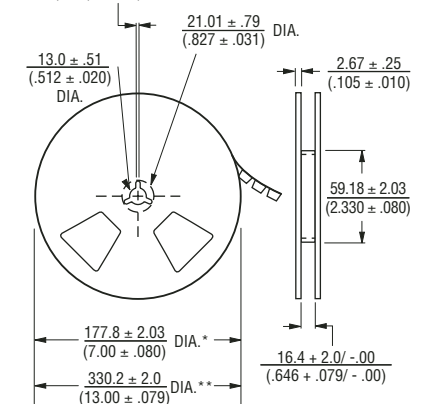
Packaging Specifications

(S Style)

TAPE



REEL



* Embossed Tape Designator "E"
** Embossed Tape Designator "G"
(See How To Order chart for further information.)

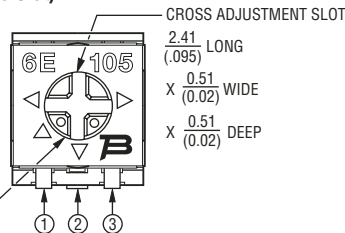
Meets EIA specification 481.

3314 - 4 mm Square Trimming Potentiometer

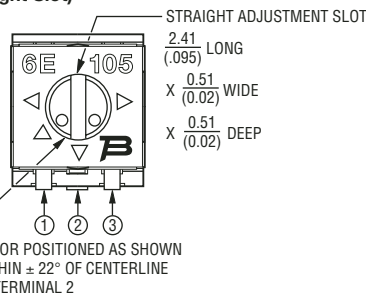
BOURNS®

Product Dimensions

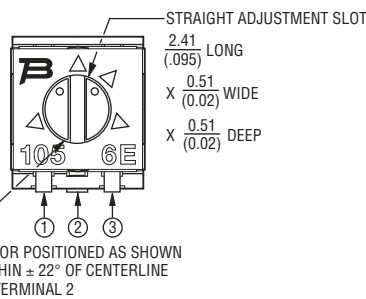
3314Z-1-(RC) E (Cross Slot)



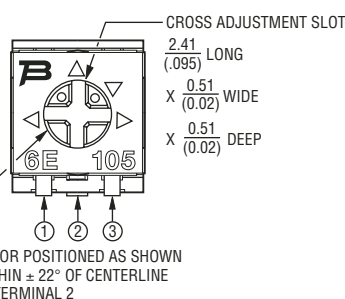
3314Z-GA4-(RC) E (Straight Slot)



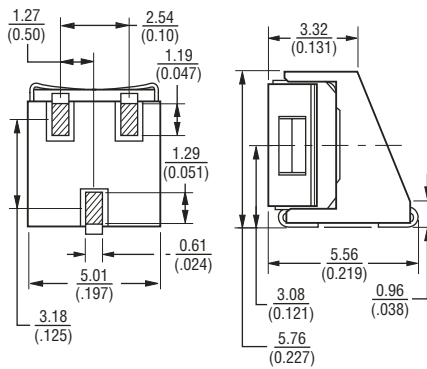
3314Z-3 (Reverse Marking, Straight Slot)



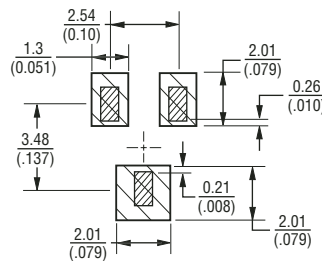
3314Z-4-(RC) E (Reverse Marking, Cross Slot)



3314Z Common Dimensions



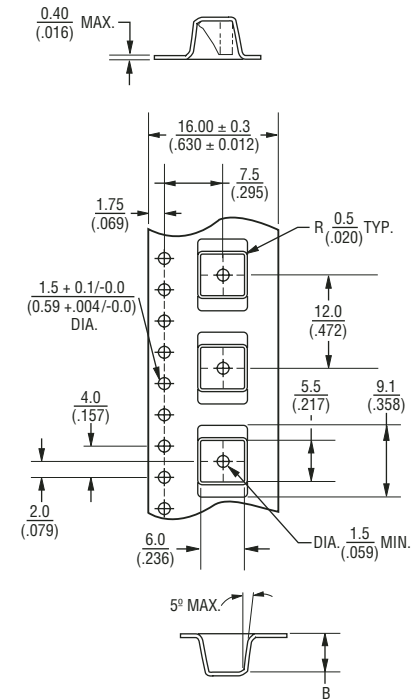
RECOMMENDED PCB LAYOUT



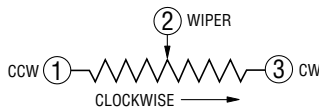
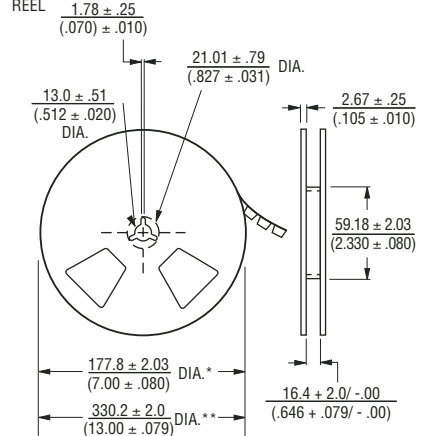
Packaging Specifications

(Z Style)

TAPE



REEL



TOLERANCES: ± 0.25 (.010) EXCEPT WHERE NOTED

DIMENSIONS ARE: $\frac{\text{MM}}{\text{(INCHES)}}$

* Embossed Tape Designator "E"
** Embossed Tape Designator "G"
(See How To Order chart for further information.)

Meets EIA specification 481.

REV. 08/05

Specifications are subject to change without notice.

Customers should verify actual device performance in their specific applications.