

Stamped contacts crimp female contact for wire gauge 28 - 24

Part No. ZN 02 010 0130 (2)

Series Contacts

Subseries Contact Stamped contacts



#### COMMON CHARACTERISTICS

|                         |  |   |
|-------------------------|--|---|
| Wire gauge from         |  | 0,09                                    |
| Wire gauge to           |  | 0,25                                    |
| Wire gauge (AWG) from   |  | 28                                      |
| Wire gauge (AWG) to     |  | 24                                      |
| Packaging / supplied as |  | Contacts on reel for hand crimping tool |
| No. of pieces           |  | 350                                     |
| Sex of Contact          |  | Socket                                  |
| Type of contact         |  | Stamped/rolled crimp contact            |

#### ELECTRICAL CHARACTERISTICS

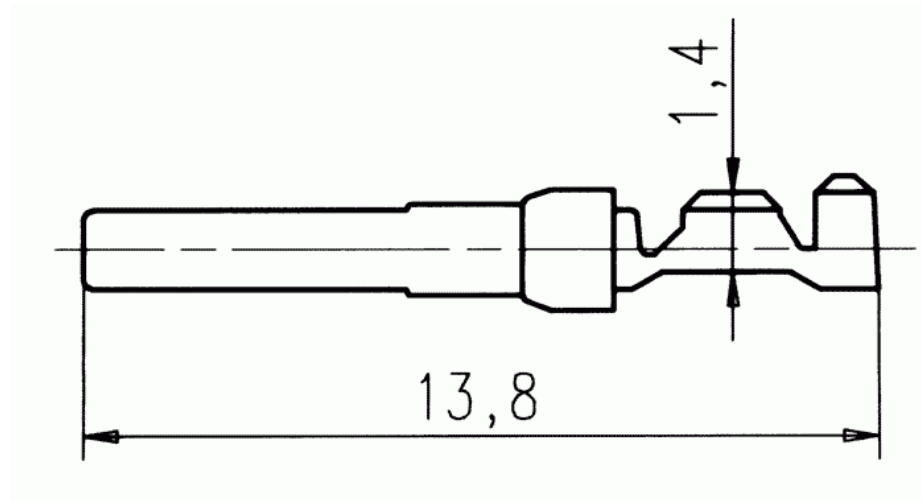
|                    |  |       |
|--------------------|--|-------|
| Contact resistance | DIN EN 60512-2-1, Test 2a / IEC 60512-2-1, Test 2a | < 5 m |
|--------------------|--|-------|

Stamped contacts crimp female contact for wire gauge 28 - 24

Part No. ZN 02 010 0130 (2)

Series Contacts

Subseries Contact Stamped contacts



Ma zeichnung Dimensions in mm (Inch)

31.07.2007

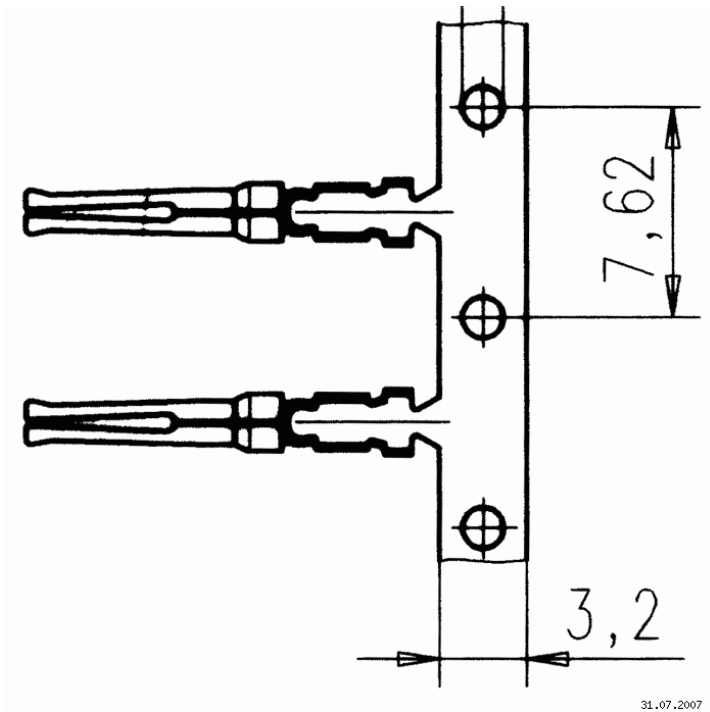
Stamped contacts crimp female contact for wire gauge 28 - 24

Part No. ZN 02 010 0130 (2)

Series Contacts

Subseries Contact Stamped contacts





Panel cutout

31.07.2007