

Turned contacts turned crimp male contact for wire gauge 26 - 22

Part No. VN 01 016 0024 (1)C



Series Contacts

Subseries Contact Turned contacts

COMMON CHARACTERISTICS

Wire gauge from	0,14
Wire gauge to	0,37
Wire gauge (AWG) from	26
Wire gauge (AWG) to	22
Packaging / supplied as	Single contact
No. of pieces	100
Sex of Contact	Pin
Type of contact	Turned crimp contact

CLIMATICAL CHARACTERISTICS

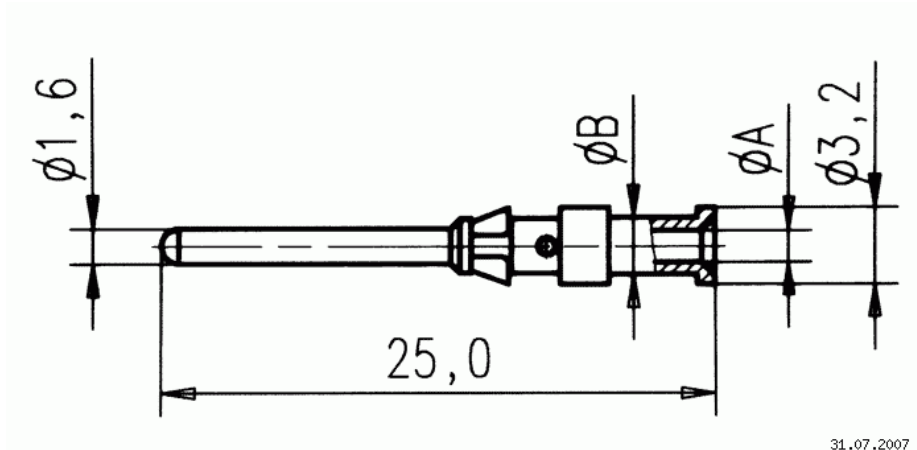
Upper temperature	+ 125 °C
Lower temperatur	- 40 °C

Turned contacts turned crimp male contact for wire gauge 26 - 22

Part No. VN 01 016 0024 (1)C

Series Contacts

Subseries Contact Turned contacts



Ma zeichnung Dimensions in mm (Inch)

31.07.2007