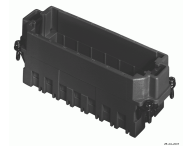


heavy|mate - C146 M pin modules

Part No. C146 P24 001 G8

Series Heavy duty connectors heavy|mate - C 146

Subseries Heavy duty connector heavy|mate - C146 M



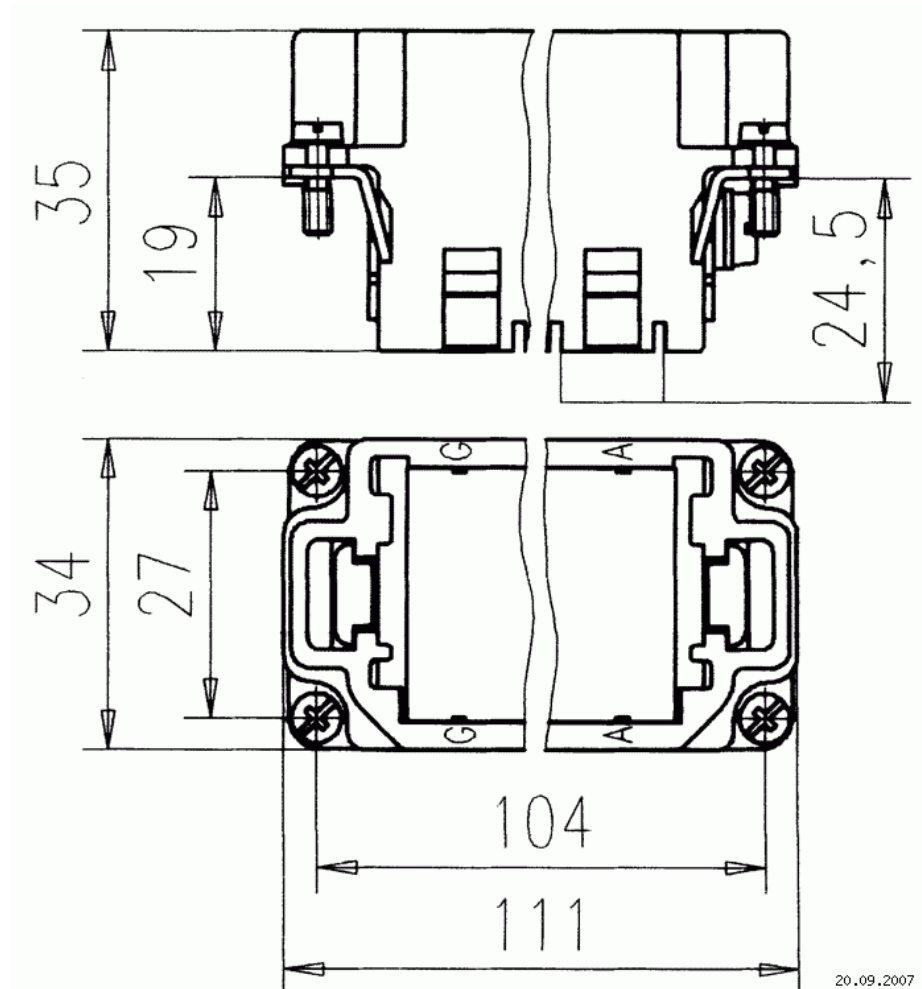
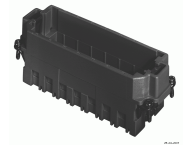
| COMMON CHARACTERISTICS | | |
|----------------------------|--|----------------|
| Colour | | black |
| Flammability | | V-0 |
| ELECTRICAL CHARACTERISTICS | | |
| Installation category | DIN EN 60664-1 / IEC 60664-1 | III |
| Insulation group | DIN EN 60664-1 / IEC 60664-1 | II |
| Insulation resistance | DIN EN 60512-3-1, Test 3a / IEC 60512-3-1, Test 3a | $\geq 10^{12}$ |
| Contact resistance | DIN EN 60512-2-1, Test 2a / IEC 60512-2-1, Test 2a | < 5 m |
| Pollution degree | DIN EN 60664-1 / IEC 60664-1 | 3 |

heavy|mate - C146 M pin modules

Part No. C146 P24 001 G8

Series Heavy duty connectors heavy|mate - C 146

Subseries Heavy duty connector heavy|mate - C146 M



Maßzeichnung Dimensions in mm (Inch)

20.09.2007