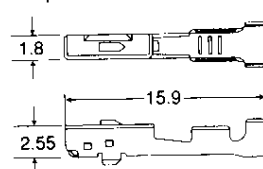
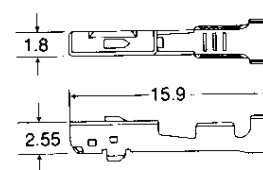


.040 III High Density Connectors

Wire to Board Applications

Receptacle Contact

Contact	Wire Range	Wire Ins. Diameter	Material/Finish	Part No.		Hand Tool No. (Instruction Sheet)
				S.T.	L.P.	
.040 III Receptacle 	S Size (AVSS) 0.3-0.5mm ² (AWG#22-20)	Ø1.4-1.7mm	Copper Alloy/Pre-tin	316836-1	1376700-1	1463383-1 (411-78003)
			Copper Alloy/Sel. Gold	316837-2	1376701-1	
Crimp Specifications : 114-5217-1						
.040 III Receptacle 	M Size (AVSS) 0.85-1.25mm ² (AWG#18-16) (AVS) 0.5mm ² (AWG#20)	Ø1.8-2.2mm	Copper Alloy/Pre-tin	316838-1	1376702-1	934193-2 (411-5995)
			Crimp Specifications : 114-5217-1			

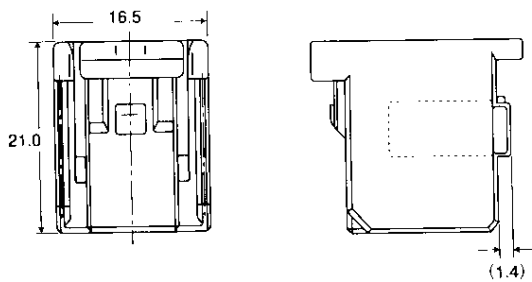
Plug

17
Pos.

Part Number : 353027-□

■ Part numbers of mating cap housings

72Pos. : □-353830-□ 122Pos. : □-353015-□
 94Pos. : □-1123794-□ 125Pos. : 1318612-1

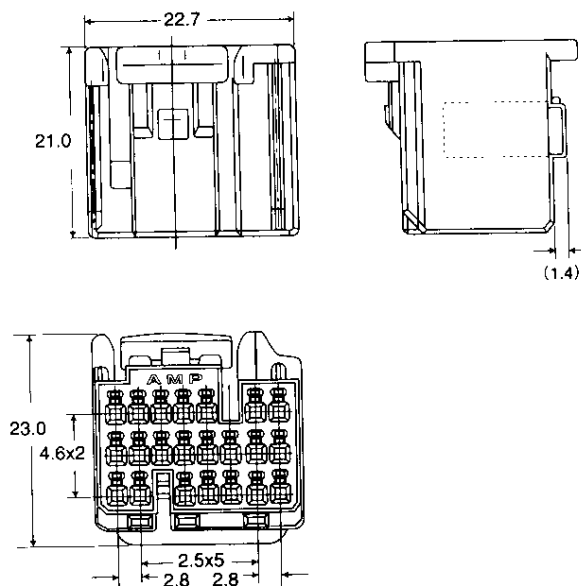


22
Pos.

Part Number : 353028-□

■ Part numbers of mating cap housings

94Pos. : □-1123794-□ 108Pos. : □-1318613-□
 105Pos. : □-353016-□ 122Pos. : □-353015-□
 125Pos. : □-1318612-□



*The figures in □ after part numbers vary according to finishes, configuration, etc.
 *The material of housings is of PBT.