

**LEGEND**  
 87758-\*\*\*\*  
 CKT SIZE (SEE SHT 2 TABLE)      PLATING (SEE NOTE 2)

**NOTES:**

1. MATERIAL:  
 HOUSING: 30% G.F. NYLON 46, 94V-0, COLOR: BLACK  
 PIN: 0.50mm SQ. PHOSPHOR BRONZE 510
2. PLATING:  
 \*\*16 - 0.38um MIN GOLD IN CONTACT AREA,  
 TIN IN SOLDER AREA, BOTH OVER NICKEL OVERALL.  
 \*\*17 - 0.76um MIN GOLD IN CONTACT AREA,  
 TIN IN SOLDER AREA, BOTH OVER NICKEL OVERALL.
3. 12 CKT USED FOR ILLUSTRATION ONLY
4. PACKED IN POCKET TRAY
5. PIN PUSHOUT FORCE: 1KG MIN IN EITHER DIRECTION
6. CKT 4 AND 6 IS CUT FROM CKT 8 AND 12 RESPECTIVELY.  
 CKT 2 ARE CUT FROM ANY LARGER CKT SIZE. ROUGH EDGES ARE EXPECTED ALONG THE CUTTING EDGES.
7. PRODUCT SPEC PS-87761-100 APPLIES.
8. RECOMMENDED PCB THICKNESS IS 1.60±0.10

$\phi 0.71 \pm 0.07$   
 $\phi 0.30 \pm 0.01$



VIEW P

$\phi 0.71 \pm 0.07$   
 $\phi 0.30 \pm 0.01$



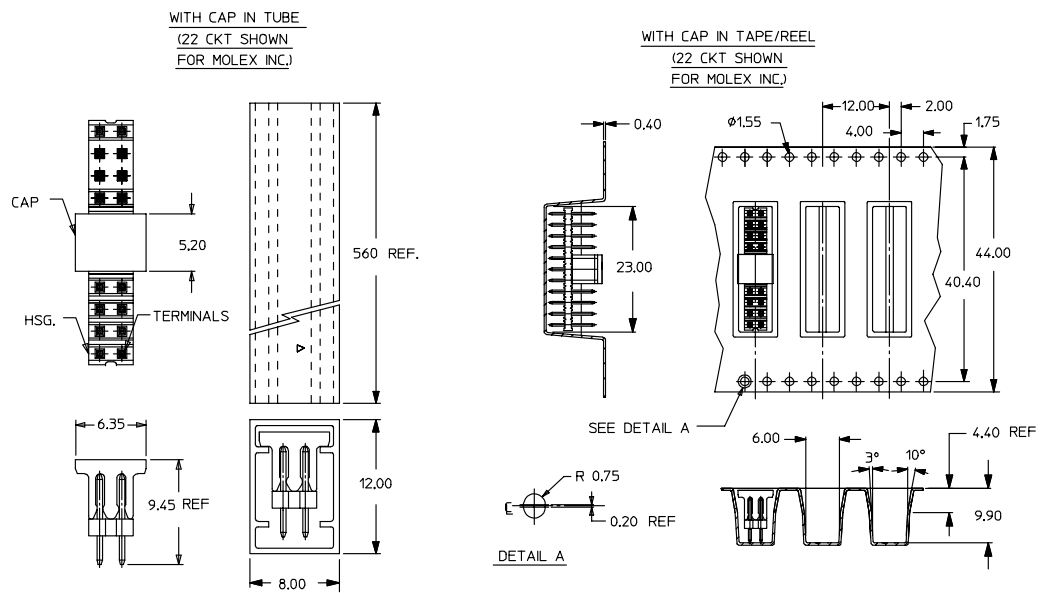
VIEW Q

EC NO: S2004-0215 DRW/KSEE: 2004/01/20 CHK/KCLING: 2004/01/20 APPR/SKTOH: 2004/01/20	QUALITY SYMBOLS	GENERAL TOLERANCES (UNLESS SPECIFIED)	SCALE NTS	DESIGN UNITS METRIC	THIRD ANGLE PROJECTION	REVISE ON CAD ONLY															
	0 0	<table border="1"> <tr> <th></th> <th>mm</th> <th>INCH</th> </tr> <tr> <td>4 PLACES</td> <td>± ---</td> <td>± ---</td> </tr> <tr> <td>3 PLACES</td> <td>± ---</td> <td>± ---</td> </tr> <tr> <td>2 PLACES</td> <td>± 0.20</td> <td>± ---</td> </tr> <tr> <td>1 PLACE</td> <td>± ---</td> <td>± ---</td> </tr> </table>		mm	INCH	4 PLACES	± ---	± ---	3 PLACES	± ---	± ---	2 PLACES	± 0.20	± ---	1 PLACE	± ---	± ---	DIMENSION STYLE MM ONLY	TITLE	2MM DUAL ROW SINGLE WAFER, VERTICAL THROUGH HOLE HEADER	
			mm	INCH																	
		4 PLACES	± ---	± ---																	
3 PLACES	± ---	± ---																			
2 PLACES	± 0.20	± ---																			
1 PLACE	± ---	± ---																			
DRAFT WHERE APPLICABLE MUST REMAIN WITHIN DIMENSIONS	DRAWN BY: KSEE      DATE: 2003/10/30 CHECKED BY: KCLING      DATE: 2004/01/05 APPROVED BY: SKTOH      DATE: 2004/01/05	MOLEX INCORPORATED MATERIAL NO. SEE TABLE      DOCUMENT NO. SD-87758-107      SHEET NO. 1 OF 2																			
REV A	THIS DRAWING CONTAINS INFORMATION THAT IS PROPRIETARY TO MOLEX INCORPORATED AND SHOULD NOT BE USED WITHOUT WRITTEN PERMISSION																				

87758

PART NO. WITH CAP IN TUBE	PART NO. WITH CAP IN TAPE/REEL
(22 CKT SHOWN, FOR MOLEX INC.)	
87089-5126	87089-5111

PART NUMBER	CKT SIZE	A	B
87758-02**	2	NA	NA
87758-04**	4	NA	2.00
87758-06**	6	NA	4.00
87758-08**	8	7.90	6.00
87758-10**	10	9.90	8.00
87758-12**	12	11.90	10.00
87758-14**	14	13.90	12.00
87758-16**	16	15.90	14.00
87758-18**	18	17.90	16.00
87758-20**	20	19.90	18.00
87758-22**	22	21.90	20.00
87758-24**	24	23.90	22.00
87758-26**	26	25.90	24.00
87758-28**	28	27.90	26.00
87758-30**	30	29.90	28.00
87758-32**	32	31.90	30.00
87758-34**	34	33.90	32.00
87758-36**	36	35.90	34.00
87758-38**	38	37.90	36.00
87758-40**	40	39.90	38.00
87758-42**	42	41.90	40.00
87758-44**	44	43.90	42.00
87758-46**	46	45.90	44.00
87758-48**	48	47.90	46.00
87758-50**	50	49.90	48.00



EC NO: S2004-0215 DRWN:KSEE 2004/01/20 CHCK:KCLING 2004/01/20 APPR:SKTOH 2004/01/20	QUALITY SYMBOLS	GENERAL TOLERANCES (UNLESS SPECIFIED)	SCALE NTS	DESIGN UNITS METRIC	THIRD ANGLE PROJECTION	REVISE ON CAD ONLY										
	▽ 0 ▽ 0	<table border="1"> <tr><th>mm</th><th>INCH</th></tr> <tr><td>4 PLACES ± ---</td><td>± ---</td></tr> <tr><td>3 PLACES ± ---</td><td>± ---</td></tr> <tr><td>2 PLACES ± 0.20</td><td>± ---</td></tr> <tr><td>1 PLACE ± ---</td><td>± ---</td></tr> </table>	mm	INCH	4 PLACES ± ---	± ---	3 PLACES ± ---	± ---	2 PLACES ± 0.20	± ---	1 PLACE ± ---	± ---	DIMENSION STYLE MM ONLY DRAWN BY KSEE DATE 2003/10/30 CHECKED BY KCLING DATE 2004/01/05 APPROVED BY SKTOH DATE 2004/01/05	TITLE	2MM DUAL ROW SINGLE WAFER, VERTICAL THROUGH HOLE HEADER MOLEX INCORPORATED	
		mm	INCH													
		4 PLACES ± ---	± ---													
3 PLACES ± ---	± ---															
2 PLACES ± 0.20	± ---															
1 PLACE ± ---	± ---															
DRAFT WHERE APPLICABLE MUST REMAIN WITHIN DIMENSIONS	THIS DRAWING CONTAINS INFORMATION THAT IS PROPRIETARY TO MOLEX INCORPORATED AND SHOULD NOT BE USED WITHOUT WRITTEN PERMISSION	MATERIAL NO. SEE TABLE DOCUMENT NO. SD-87758-107 SHEET NO. 2 OF 2														

fb\_frame\_B rev. B1 2000/08/01