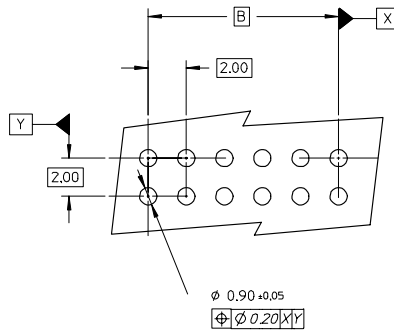
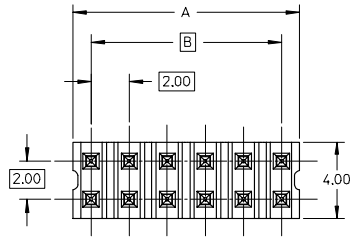


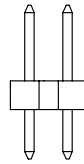
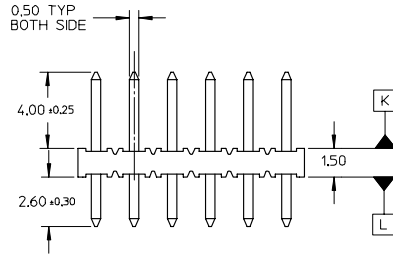
10 9 8 7 6 5 4 3 2 1



**LEGEND**  
 87758- \* \* \* \*  
 CKT SIZE (SEE SHT 2 TABLE)      PLATING (SEE NOTE 2)

**NOTES:**

- MATERIAL:**  
 HOUSING: 30% G.F. NYLON 46, 94V-0, COLOR: BLACK  
 PIN: 0.50mm SQ. PHOSPHOR BRONZE 510
- PLATING:**  
 \*\*16 - 0.38um MIN GOLD IN CONTACT AREA, TIN IN SOLDER AREA, BOTH OVER NICKEL OVERALL.  
 \*\*17 - 0.76um MIN GOLD IN CONTACT AREA, TIN IN SOLDER AREA, BOTH OVER NICKEL OVERALL.  
 \*\*18 - 2.54um MIN TIN OVER NICKEL OVERALL.
- 12 CKT USED FOR ILLUSTRATION ONLY
- PACKED IN POCKET TRAY
- PIN PUSHOUT FORCE: 1KG MIN IN EITHER DIRECTION
- △ CKT 4 AND 6 IS CUT FROM CKT 8 AND 12 RESPECTIVELY. CKT 2 ARE CUT FROM ANY LARGER CKT SIZE. ROUGH EDGES ARE EXPECTED ALONG THE CUTTING EDGES.
- PRODUCT SPEC PS-87761-100 APPLIES.
- RECOMMENDED PCB THICKNESS IS 1.60±0.10



φ 0.71±0.07  
 φ 0.30 @ K



VIEW P

φ 0.71±0.07  
 φ 0.30 @ L



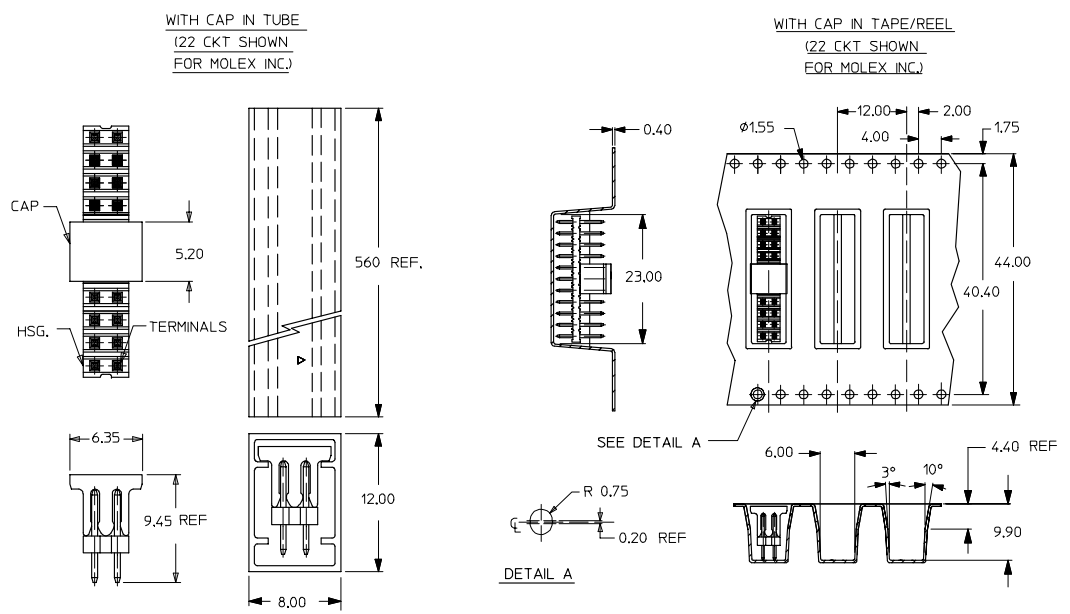
VIEW Q

IEC NO. S2005-0715 2005/05/16 DRAWN BY KSEE 2005/05/18 CHECKED BY KCLING 2005/05/19 APPROVED BY SKTOH 2004/01/05 A2	QUALITY SYMBOLS ▽=0 ▽=0	GENERAL TOLERANCES (UNLESS SPECIFIED)		DIMENSION STYLE MM ONLY		SCALE NTS	DESIGN UNITS METRIC	THIRD ANGLE PROJECTION
		4 PLACES ± --- ± --- 3 PLACES ± --- ± --- 2 PLACES ± 0.20 ± --- 1 PLACE ± --- ± --- ANGULAR ± 3 °	mm      INCH	DRAWN BY KSEE	DATE 2003/10/30	TITLE SALES DRAWING 2MM DUAL ROW SINGLE WAFER, VERTICAL T/H HDR	MOLEX MOLEX INCORPORATED	DOCUMENT NO. SD-87758-107
DRAFT WHERE APPLICABLE MUST REMAIN WITHIN DIMENSIONS		MATERIAL NO. SEE TABLE		THIS DRAWING CONTAINS INFORMATION THAT IS PROPRIETARY TO MOLEX INCORPORATED AND SHOULD NOT BE USED WITHOUT WRITTEN PERMISSION				

9 8 7 6 5 4 3 2 1

	10	9	8	7	6	5	4	3	2	1
	PART NUMBER	CKT SIZE	A	B						
F	87758-02**	2	NA	NA						
	87758-04**	4	NA	2,00						
	87758-06**	6	NA	4,00						
	87758-08**	8	7,90	6,00						
	87758-10**	10	9,90	8,00						
E	87758-12**	12	11,90	10,00						
	87758-14**	14	13,90	12,00						
	87758-16**	16	15,90	14,00						
	87758-18**	18	17,90	16,00						
	87758-20**	20	19,90	18,00						
D	87758-22**	22	21,90	20,00						
	87758-24**	24	23,90	22,00						
	87758-26**	26	25,90	24,00						
	87758-28**	28	27,90	26,00						
	87758-30**	30	29,90	28,00						
	87758-32**	32	31,90	30,00						
	87758-34**	34	33,90	32,00						
C	87758-36**	36	35,90	34,00						
	87758-38**	38	37,90	36,00						
	87758-40**	40	39,90	38,00						
	87758-42**	42	41,90	40,00						
	87758-44**	44	43,90	42,00						
	87758-46**	46	45,90	44,00						
B	87758-48**	48	47,90	46,00						
	87758-50**	50	49,90	48,00						

CKT SIZE	PART NO. WITH CAP IN TUBE	PART NO. WITH CAP IN TAPE/REEL	PLATING TYPE
6	87758-0814	87758-0815	**16
22	87758-5126	87758-5111	MOLEX INC.



IEC NO. S2005-0715 2005/05/16 DRAWN: CH0 2005/05/18 CHECKED: PLM 2005/05/19 APPROVED: SCLM	QUALITY SYMBOLS 	GENERAL TOLERANCES (UNLESS SPECIFIED) <table border="1"> <tr> <th></th> <th>mm</th> <th>INCH</th> </tr> <tr> <td>4 PLACES</td> <td>± ---</td> <td>± ---</td> </tr> <tr> <td>3 PLACES</td> <td>± ---</td> <td>± ---</td> </tr> <tr> <td>2 PLACES</td> <td>± 0.20</td> <td>± ---</td> </tr> <tr> <td>1 PLACE</td> <td>± ---</td> <td>± ---</td> </tr> </table>		mm	INCH	4 PLACES	± ---	± ---	3 PLACES	± ---	± ---	2 PLACES	± 0.20	± ---	1 PLACE	± ---	± ---	DIMENSION STYLE MM ONLY	SCALE NTS	DESIGN UNITS METRIC	THIRD ANGLE PROJECTION
				mm	INCH																
4 PLACES	± ---	± ---																			
3 PLACES	± ---	± ---																			
2 PLACES	± 0.20	± ---																			
1 PLACE	± ---	± ---																			
DRAWN BY KSEE 2003/10/30	CHECKED BY KCLING 2004/01/05	APPROVED BY SKTOH 2004/01/05	MATERIAL NO. SEE TABLE	DOCUMENT NO. SD-87758-107	SALES DRAWING 2MM DUAL ROW SINGLE WAFER, VERTICAL T/H HDR MOLEX INCORPORATED																
DRAFT WHERE APPLICABLE MUST REMAIN WITHIN DIMENSIONS			SIZE 	THIS DRAWING CONTAINS INFORMATION THAT IS PROPRIETARY TO MOLEX INCORPORATED AND SHOULD NOT BE USED WITHOUT WRITTEN PERMISSION																	

fb\_frame\_A3\_P\_AM.T  
Rev. D 2004/06/28