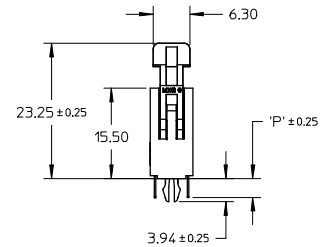
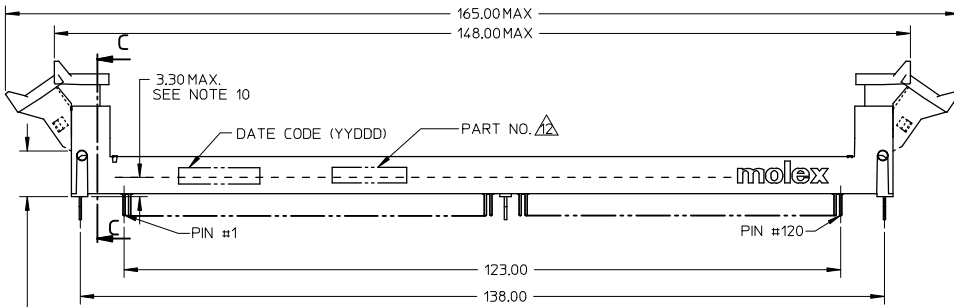


10 9 8 7 6 5 4 3 2 1

NOTES:

1. MATERIALS
 - HOUSING - HIGH TEMP. NYLON GLASS FILLED, UL 94V-0
COLOR: BLACK
 - EJECTOR - HIGH TEMP. NYLON GLASS FILLED, UL 94V-0
COLOR: SEE TABLE
 - TERMINAL - COPPER ALLOY
2. PLATING - SEE TABLE IN SHEET 5 & 6.
3. CARD SLOT ACCEPTS 1.27±0.10 MM MODULE THICKNESS.
(MEASURED OVER P.C. PADS)
4. RECOMMENDED MODULE LAYOUT SHALL BE AS PER JEDEC MO-237.
5. REFER TO PRODUCT SPEC. PS-87705-002 FOR PERFORMANCE SPECIFICATIONS.
6. PRODUCT SHALL BE PACKED IN TRAY.
7. PRODUCT SHALL HAVE DATE CODE STAMPED ON SIDE OF HOUSING.
8. KEEP OUT AREA IS THE AREA WHERE THE CONNECTOR IS MOUNTED ONTO THE PCB WHICH DOES NOT INCLUDE THE LATCH.
9. REFER TO CRITICAL JEDEC INFORMATION FOR SOCKET OUTLINE PER S0-001.
10. DIMM MODULE SEATING PLANE FROM TOP OF PCB.
11. CONTACT MOLEX FOR AVAILABILITY OF PRODUCT OPTIONS.

△ PART NUMBER SHALL BE MARKED LEGIBLY AS 87705-****

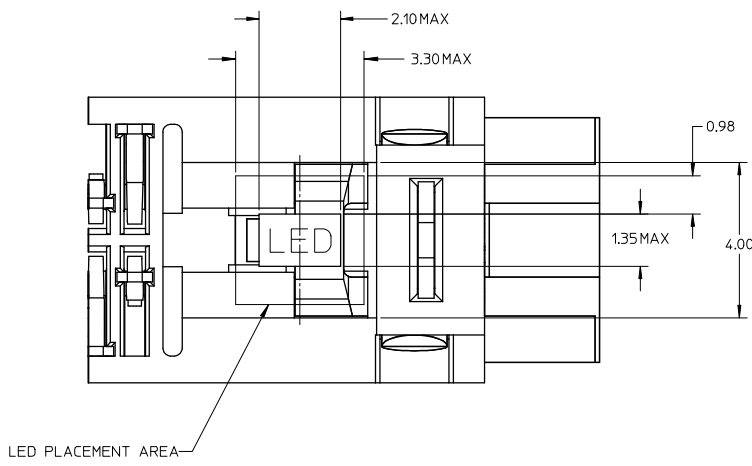
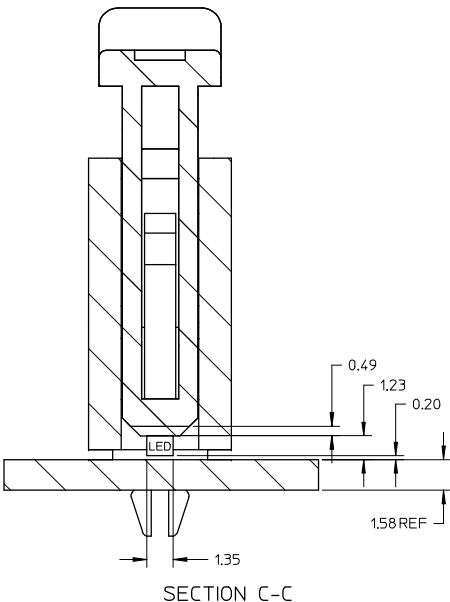
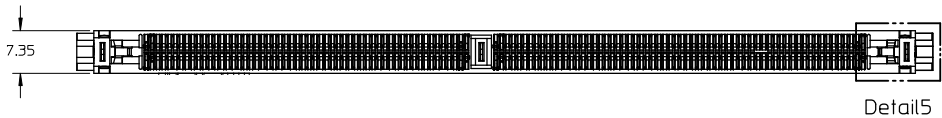


5.00 MIN
LATCH KEEP
OUT AREA

ADD NOTE @SHT 4 C1 IEC NO: S22008-1044 DRAWN: CMTEO 2008/05/15 CHYK: CGTAN 2008/05/15 APPR: SHLEN 2008/05/15 D1	QUALITY SYMBOLS ▽=0 ▽=0	GENERAL TOLERANCES (UNLESS SPECIFIED)		DIMENSION STYLE MM ONLY		SCALE NTS	DESIGN UNITS METRIC	THIRD ANGLE PROJECTION	
		4 PLACES ± --- ± ---	3 PLACES ± --- ± ---	2 PLACES ± 0.20 ± ---	1 PLACE ± --- ± ---	ANGULAR ± 5 °	DRAWN BY CGOH	DATE 2002/05/09	TITLE DDR2 DIMM, 1.00MM PITCH 240 CKTS (FORKLOCK VERSION)
		DRAFT WHERE APPLICABLE MUST REMAIN WITHIN DIMENSIONS		SEE TABLE		MATERIAL NO.	DOCUMENT NO.	MOLEX INCORPORATED	
				SIZE A 3		THIS DRAWING CONTAINS INFORMATION THAT IS PROPRIETARY TO MOLEX INCORPORATED AND SHOULD NOT BE USED WITHOUT WRITTEN PERMISSION		SHEET NO. 1 OF 6	

9 8 7 6 5 4 3 2 1

10 9 8 7 6 5 4 3 2 1



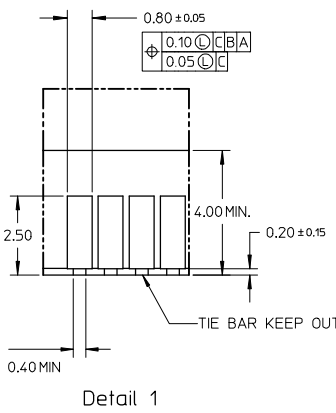
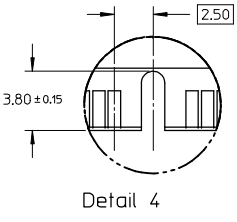
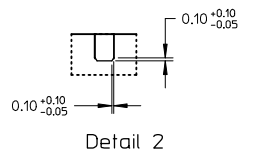
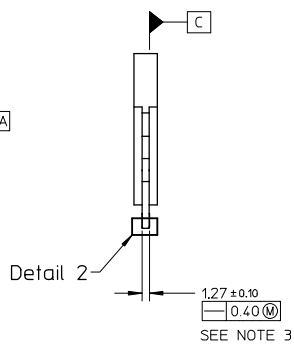
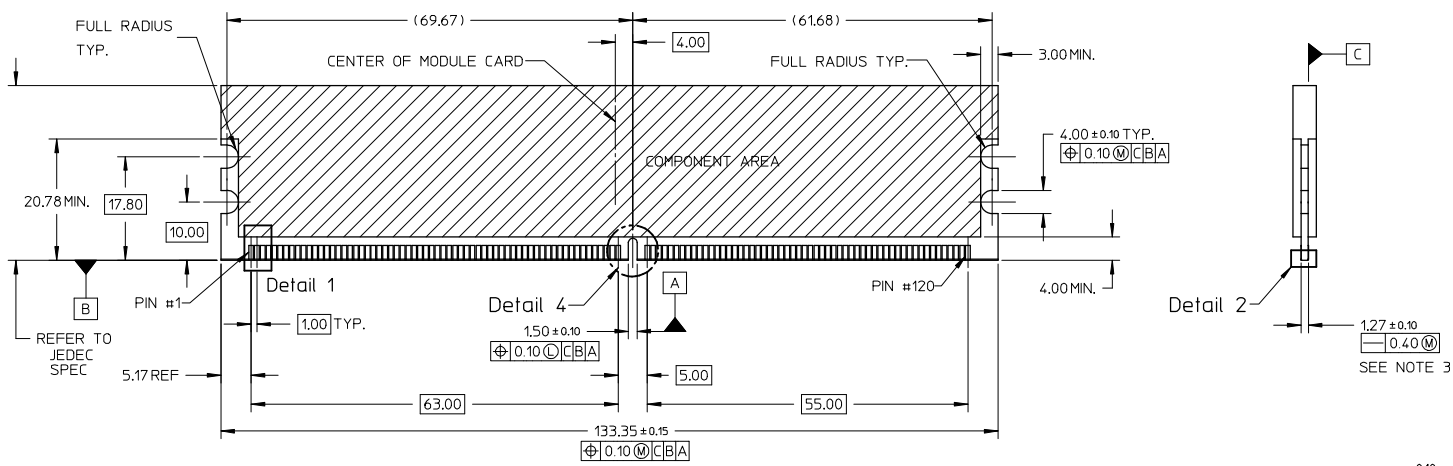
SECTION C-C

Detail 5

ADD NOTE @SHT4 C1 IEC NO: S22008-1044 DRAWN: D1 DRWN: CNTEO CHYK: CJIAN APPR: SHLEI 2008/05/15 2008/05/15 2008/05/15	QUALITY SYMBOLS ▽=0 ▽=0	GENERAL TOLERANCES (UNLESS SPECIFIED)		DIMENSION STYLE		SCALE	DESIGN UNITS	THIRD ANGLE PROJECTION		
		mm	INCH	MM ONLY		NTS	METRIC			
		4 PLACES ± ---	± ---	DRAWN BY	DATE	TITLE	DDR2 DIMM, 100MM PITCH 240 CKTS (FORKLOCK VERSION) MOLEX INCORPORATED			
		3 PLACES ± ---	± ---	CGOH	2002/05/09					
2 PLACES ± 0.20	± ---	CHECKED BY	DATE							
1 PLACE ± ---	± ---	DSOH	2002/07/22							
ANGULAR ± 5 °		APPROVED BY	DATE							
DRAFT WHERE APPLICABLE MUST REMAIN WITHIN DIMENSIONS		SKTOH	2002/07/23							
		MATERIAL NO.	SEE TABLE							
		SIZE	A 3		THIS DRAWING CONTAINS INFORMATION THAT IS PROPRIETARY TO MOLEX INCORPORATED AND SHOULD NOT BE USED WITHOUT WRITTEN PERMISSION					
		DOCUMENT NO.	SD-87705-001						SHEET NO. 2 OF 6	

10 9 8 7 6 5 4 3 2 1

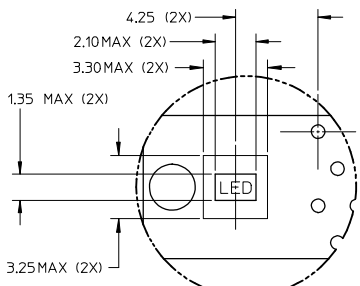
RECOMMENDED MODULE LAYOUT



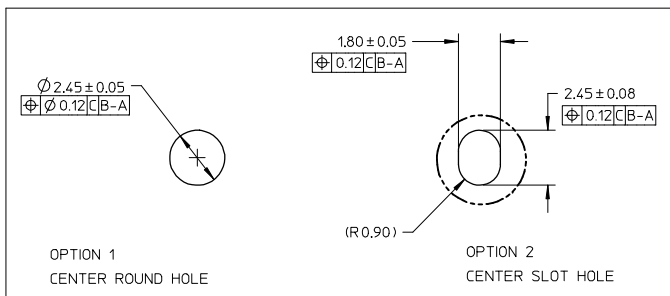
NOTES:
1. MODULE CARD USED FOR TESTS ARE WITH 0.10MM CHAMFER.

ADD NOTE @SHT 4 C1 EC NO: S22008-1044 DRAWN: MEO 2008/05/15 CHECKED: GTAN 2008/05/15 APPR: SHLENI 2008/05/15 D1 REV	QUALITY SYMBOLS	GENERAL TOLERANCES (UNLESS SPECIFIED)	DIMENSION STYLE	SCALE	DESIGN UNITS	THIRD ANGLE PROJECTION
	$\nabla=0$ $\nabla=0$	mm INCH 4 PLACES ± --- ± --- 3 PLACES ± --- ± --- 2 PLACES ± 0.20 ± --- 1 PLACE ± --- ± --- ANGULAR ± 5°	MM ONLY	NTS	METRIC	
	DRAFT WHERE APPLICABLE MUST REMAIN WITHIN DIMENSIONS	DRAWN BY: CGOH CHECKED BY: OSOH APPROVED BY: SKTOH DATE: 2002/05/09 DATE: 2002/07/22 DATE: 2002/07/23	TITLE: DDR2 DIMM, 100MM PITCH 240 CKTS (FORKLOCK VERSION) MOLEX INCORPORATED			
		MATERIAL NO. SEE TABLE SIZE A3 THIS DRAWING CONTAINS INFORMATION THAT IS PROPRIETARY TO MOLEX INCORPORATED AND SHOULD NOT BE USED WITHOUT WRITTEN PERMISSION	DOCUMENT NO. SD-87705-001 SHEET NO. 3 OF 6			

10 9 8 7 6 5 4 3 2 1

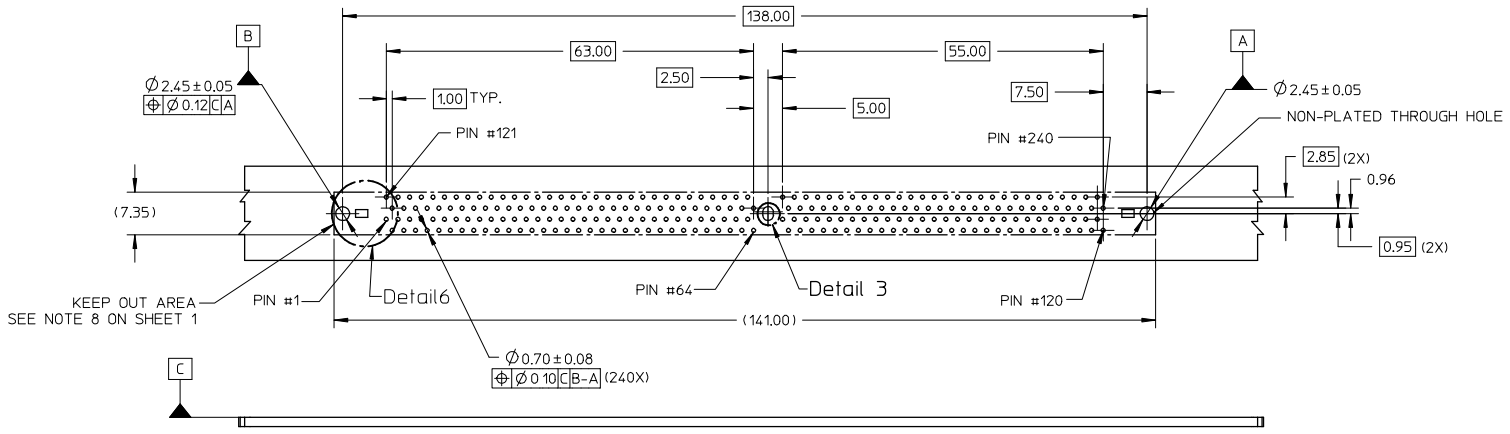


Detail 6



Detail 3

(SEE RECOMMENDED THICKNESS IN TABLE)
RECOMMENDED PCB LAYOUT
CONNECTOR SIDE

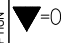
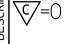



ADD NOTE @SHT4 C1 IEC NO: S22008-1044 DRAWN: CHYK-CITAN 2008/05/15 CHECKED: CHYK-CITAN 2008/05/15 APPR: SHILEN 2008/05/15 D1 REV	QUALITY SYMBOLS	GENERAL TOLERANCES (UNLESS SPECIFIED)	DIMENSION STYLE	SCALE	DESIGN UNITS	THIRD ANGLE PROJECTION															
	$\nabla=0$ $\sphericalangle=0$	<table border="1"> <tr><th></th><th>mm</th><th>INCH</th></tr> <tr><td>4 PLACES</td><td>± ---</td><td>± ---</td></tr> <tr><td>3 PLACES</td><td>± ---</td><td>± ---</td></tr> <tr><td>2 PLACES</td><td>± 0.20</td><td>± ---</td></tr> <tr><td>1 PLACE</td><td>± ---</td><td>± ---</td></tr> </table>		mm	INCH	4 PLACES	± ---	± ---	3 PLACES	± ---	± ---	2 PLACES	± 0.20	± ---	1 PLACE	± ---	± ---	MM ONLY	NTS	METRIC	
		mm	INCH																		
	4 PLACES	± ---	± ---																		
3 PLACES	± ---	± ---																			
2 PLACES	± 0.20	± ---																			
1 PLACE	± ---	± ---																			
	ANGULAR ± 5 °																				
	DRAFT WHERE APPLICABLE MUST REMAIN WITHIN DIMENSIONS																				
			DRAWN BY: CGOH CHECKED BY: DS0H APPROVED BY: SKTOH DATE: 2002/05/09 DATE: 2002/07/22 DATE: 2002/07/23	TITLE: DDR2 DIMM, 100MM PITCH 240 CKTS (FORKLOCK VERSION) MOLEX INCORPORATED	MATERIAL NO. SEE TABLE DOCUMENT NO. SD-87705-001	SHEET NO. 4 OF 6															

9 8 7 6 5 4 3 2 1

10 9 8 7 6 5 4 3 2 1

PART NO.	KEY POS.	DIM 'P'	RECOMMENDED PCB THICKNESS	PLATING OPTION	LATCH COLOR
87705-0021	CENTER (1.8V)	2.67	1.57	0.38uM / 15 uIN MIN. GOLD ON CONTACT, 2.54uM/ 100uIN MIN. TIN ON SOLDER TAILS, 1.27uM/ 50uIN MIN. NICKEL UNDERPLATE	NATURAL
87705-1021		3.18	2.36		
87705-1053		3.66			
87705-0031		2.67	1.57	0.03uM / 1 uIN MIN. GOLD ON CONTACT, 2.54uM/ 100uIN MIN. TIN ON SOLDER TAILS, 1.27uM/ 50uIN MIN. NICKEL UNDERPLATE	
87705-1031		3.18	2.36		
87705-0051		2.67	1.57	0.76uM / 30 uIN MIN. GOLD ON CONTACT, 2.54uM/ 100uIN MIN. TIN ON SOLDER TAILS, 1.27uM/ 50uIN MIN. NICKEL UNDERPLATE	
87705-1051		3.18	2.36		

ADD NOTE @SHT4 C1 EEC NO: S22008-1044 DRAWN: MIED 2008/05/15 CHYK: CJTAN 2008/05/15 APPR: SHLENI 2008/05/15 D1 REV	QUALITY SYMBOLS  = 0  = 0.20	GENERAL TOLERANCES (UNLESS SPECIFIED) <table border="1"> <thead> <tr> <th></th> <th>mm</th> <th>INCH</th> </tr> </thead> <tbody> <tr> <td>4 PLACES</td> <td>± ---</td> <td>± ---</td> </tr> <tr> <td>3 PLACES</td> <td>± ---</td> <td>± ---</td> </tr> <tr> <td>2 PLACES</td> <td>± 0.20</td> <td>± ---</td> </tr> <tr> <td>1 PLACE</td> <td>± ---</td> <td>± ---</td> </tr> </tbody> </table>		mm	INCH	4 PLACES	± ---	± ---	3 PLACES	± ---	± ---	2 PLACES	± 0.20	± ---	1 PLACE	± ---	± ---	DIMENSION STYLE MM ONLY DRAWN BY: CGOH DATE: 2002/05/09 CHECKED BY: DS0H DATE: 2002/07/22 APPROVED BY: SKTOH DATE: 2002/07/23 MATERIAL NO. SEE TABLE SIZE A3	SCALE: NTS DESIGN UNITS: METRIC THIRD ANGLE PROJECTION	TITLE: DDR2 DIMM, 1.00MM PITCH 240 CKTS (FORKLOCK VERSION)  MOLEX INCORPORATED DOCUMENT NO. SD-87705-001 SHEET NO. 5 OF 6
		mm	INCH																	
	4 PLACES	± ---	± ---																	
	3 PLACES	± ---	± ---																	
	2 PLACES	± 0.20	± ---																	
1 PLACE	± ---	± ---																		
DRAFT WHERE APPLICABLE MUST REMAIN WITHIN DIMENSIONS		THIS DRAWING CONTAINS INFORMATION THAT IS PROPRIETARY TO MOLEX INCORPORATED AND SHOULD NOT BE USED WITHOUT WRITTEN PERMISSION																		

tb_frame_A3_P_AM_T Rev. E 2006/04/15 9 8 7 6 5 4 3 2 1

10 9 8 7 6 5 4 3 2 1

PART NO.	KEY POS.	DIM 'P'	RECOMMENDED PCB THICKNESS	PLATING OPTION	LATCH COLOR
87705-5051	CENTER (1.8V)	2.67	1.57	0.76µM / 30 µIN MIN. GOLD ON CONTACT. 2.54µM/ 100µIN MIN. TIN ON SOLDER TAILS, 1.27µM/ 50µIN MIN. NICKEL UNDERPLATE	CLEAR
87705-5151		3.18	2.36		
87705-6151		3.18	2.36	0.38µM / 15 µIN MIN. GOLD ON CONTACT, 2.54µM/ 100µIN MIN. TIN ON SOLDER TAILS, 1.27µM/ 50µIN MIN. NICKEL UNDERPLATE	
87705-9101		2.67	1.57		0.38µM / 15 µIN MIN. GOLD ON CONTACT, 2.54µM/ 100µIN MIN. TIN ON SOLDER TAILS, 1.27µM/ 50µIN MIN. NICKEL UNDERPLATE

ADD NOTE @SHT4 C1 EEC NO: S2008-1044 DRAWN: MIED 2008/05/15 CHECKED: CJTAN 2008/05/15 APPR: SHLENI 2008/05/15 REV: D1	DESCRIPTION QUALITY SYMBOLS ▽=0 ▽=0	GENERAL TOLERANCES (UNLESS SPECIFIED)		DIMENSION STYLE MM ONLY		SCALE NTS	DESIGN UNITS METRIC	THIRD ANGLE PROJECTION	
			mm	INCH	DRAWN BY CGOH	DATE 2002/05/09	TITLE DDR2 DIMM, 100MM PITCH 240 CKTS (FORKLOCK VERSION)		
		4 PLACES	± ---	± ---	CHECKED BY DSOH	DATE 2002/07/22	MOLEX INCORPORATED		
		3 PLACES	± ---	± ---	APPROVED BY SKTOH	DATE 2002/07/23	MATERIAL NO. SEE TABLE	DOCUMENT NO. SD-87705-001	SHEET NO. 6 OF 6
2 PLACES	± 0.20	± ---	DRAFT WHERE APPLICABLE MUST REMAIN WITHIN DIMENSIONS						
1 PLACE	± ---	± ---	ANGULAR ± 5 °						
SIZE A3 THIS DRAWING CONTAINS INFORMATION THAT IS PROPRIETARY TO MOLEX INCORPORATED AND SHOULD NOT BE USED WITHOUT WRITTEN PERMISSION									

tb_frame_A3_P_AM_T Rev. E 2006/04/15 9 8 7 6 5 4 3 2 1