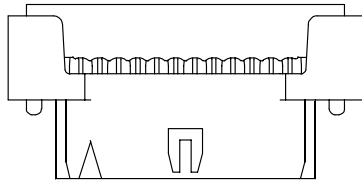


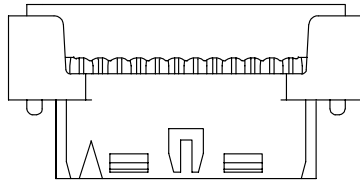
1. MATERIALS:
 HOUSING - THERMOPLASTIC, UL94V-0 BLACK
 TERMINAL - COPPER ALLOY
2. FINISHES
 PLATING 1 - 15uin (0.38um) GOLD OVER 75uin (1.88um) TIN/LEAD OVER 50uin (1.25um) NICKEL OVERALL
 PLATING 2 - 30uin (0.76um) GOLD OVER 75uin (1.88um) TIN/LEAD OVER 50uin (1.25um) NICKEL OVERALL
 PLATING 3 - 15uin (0.38um) GOLD OVER 75uin (1.88um) TIN OVER 50uin (1.25um) NICKEL OVERALL
 PLATING 4 - 30uin (0.76um) GOLD OVER 75uin (1.88um) TIN OVER 50uin (1.25um) NICKEL OVERALL
3. PRODUCT SPEC PS-87568-004 APPLIES
 4. FOR ILLUSTRATION PURPOSES, I2 CKT IS SHOWN
 5. PART MATES WITH ALL MILLIGRID HEADERS WITH MATING LENGTH BETWEEN 2.50mm AND 4.20mm
 6. PART IS DESIGNED FOR 1.00mm PITCH FLAT CABLE, 7 STRANDS, AWG #28, UL2651 AND UL2678
 7. ALL OTHER CIRCUIT SIZES, CONTACT FACTORY.
 8. STRAIN RELIEF TO BE PURCHASED SEPERATELY, REFER TO SD-87569-008

ADD ASSY P/N FOR LF EC NO. S2005-0012 DRAWN BY: 2004/07/20 CHECKED: 2004/07/20 APPR: SK/DH 2004/07/21	QUALITY SYMBOLS ▽=0 ▽=0	GENERAL TOLERANCES (UNLESS SPECIFIED) <table border="1"> <tr> <th></th> <th>mm</th> <th>INCH</th> </tr> <tr> <td>4 PLACES</td> <td>± .15</td> <td>± .005</td> </tr> <tr> <td>3 PLACES</td> <td>± .25</td> <td>± .010</td> </tr> <tr> <td>2 PLACES</td> <td>± 0.15</td> <td>± .005</td> </tr> <tr> <td>1 PLACE</td> <td>± .30</td> <td>± .012</td> </tr> </table>		mm	INCH	4 PLACES	± .15	± .005	3 PLACES	± .25	± .010	2 PLACES	± 0.15	± .005	1 PLACE	± .30	± .012	DIMENSION STYLE MM ONLY DRAWN BY: AGARWAL DATE: 1997/08/05 CHECKED BY: SOUEK DATE: 1997/09/03 APPROVED BY: JAMES DATE: 1997/09/03	SCALE NTS TITLE SALES DRAWING MGRID 2MM DUAL ROW IDT RECEPTACLE	DESIGN UNITS METRIC	THIRD ANGLE PROJECTION
		mm	INCH																		
	4 PLACES	± .15	± .005																		
	3 PLACES	± .25	± .010																		
2 PLACES	± 0.15	± .005																			
1 PLACE	± .30	± .012																			
MATERIAL NO. SEE TABLE	DOCUMENT NO. SD-87568-003	SHEET NO. 1 OF 3																			
DRAFT WHERE APPLICABLE MUST REMAIN WITHIN DIMENSIONS			SIZE A3	THIS DRAWING CONTAINS INFORMATION THAT IS PROPRIETARY TO MOLEX INCORPORATED AND SHOULD NOT BE USED WITHOUT WRITTEN PERMISSION																	
MOLEX INCORPORATED																					

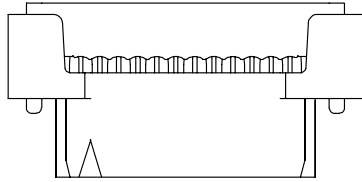
10 9 8 7 6 5 4 3 2 1



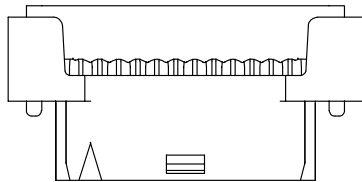
87568-***4*
POLARIZATION ONLY
(APPLICABLE FOR 14 TO 50 CKT)



87568-***9*
POLARIZATION AND RAMP LOCKING
(APPLICABLE FOR 14 TO 50 CKT)



87568-***6*
NO POLARIZATION/RAMP FEATURE
(APPLICABLE FOR 10 TO 50 CKT)



87568-***7*
SINGLE RAMP LOCKING ONLY
(APPLICABLE FOR 10 TO 12 CKT)

ENGINEERING NUMBER	CKT. SIZE	A	B	C	D	E
87568-10**	10	16.65	8.00	14.90	11.65	10.55
87568-12**	12	18.65	10.00	16.90	13.65	12.55
87568-14**	14	20.65	12.00	18.90	15.65	14.55
87568-16**	16	22.65	14.00	20.90	17.65	16.55
87568-20**	20	26.65	18.00	24.90	21.65	20.55
87568-22**	22	28.65	20.00	26.90	23.65	22.55
87568-24**	24	30.65	22.00	28.90	25.65	24.55
87568-26**	26	32.65	24.00	30.90	27.65	26.55
87568-30**	30	36.65	28.00	34.90	31.65	30.55
87568-34**	34	40.65	32.00	38.90	35.65	34.55
87568-40**	40	46.65	38.00	44.90	41.65	40.55
87568-44**	44	50.65	42.00	48.90	45.65	44.55
87568-50**	50	56.65	48.00	54.90	51.65	50.55

87568 - * * * *
CKT. SIZE PLATING OPTION
(SEE NOTE 2)
POLARIZATION KEY
& LOCKING RAMP OPTION

- 4 - WITH POLARIZATION ONLY FOR 14 - 50 CKT
- 6 - WITHOUT POLARIZATION AND RAMP LOCKING
- 7 - WITH SINGLE RAMP LOCKING ONLY FOR 10 & 12 CKT
- 9 - WITH POLARIZATION AND RAMP LOCKING FOR 14 - 50 CKT

10-12 CIRCUIT SIZE HAS ONLY ONE RAMP
FOR LOCKING (OPTIONAL)

14-50 CIRCUIT SIZE HAS BOTH
POLARIZATION AND RAMP LOCKING (OPTIONAL)

ADD ASSY P/N FOR LF EC NO. S2005-0012 DRAWN BY: 2004/07/20 CHECKED: 2004/07/20 CHKD: PTLIM APPR: SKTOH	QUALITY SYMBOLS	GENERAL TOLERANCES (UNLESS SPECIFIED)	DIMENSION STYLE	SCALE	DESIGN UNITS	THIRD ANGLE PROJECTION
	$\nabla=0$ $\nabla=0$	mm INCH 4 PLACES ± --- ± --- 3 PLACES ± --- ± --- 2 PLACES ± 0.15 ± --- 1 PLACE ± --- ± --- ANGULAR ± 3 °	MM ONLY	NTS	METRIC	
	DESCRIPTION	DRAWN BY	DATE	TITLE	SALES DRAWING MGRID 2MM DUAL ROW IDT RECEPTACLE	
	REV	CHECKED BY	DATE	APPROVED BY	DATE	MOLEX INCORPORATED
			SKTOH	1998/07/16	DOCUMENT NO.	SHEET NO.
					SD-87568-003	2 OF 3
					THIS DRAWING CONTAINS INFORMATION THAT IS PROPRIETARY TO MOLEX INCORPORATED AND SHOULD NOT BE USED WITHOUT WRITTEN PERMISSION	

9 8 7 6 5 4 3 2 1

10 9 8 7 6 5 4 3 2 1

F

E

D

C

B

A

F

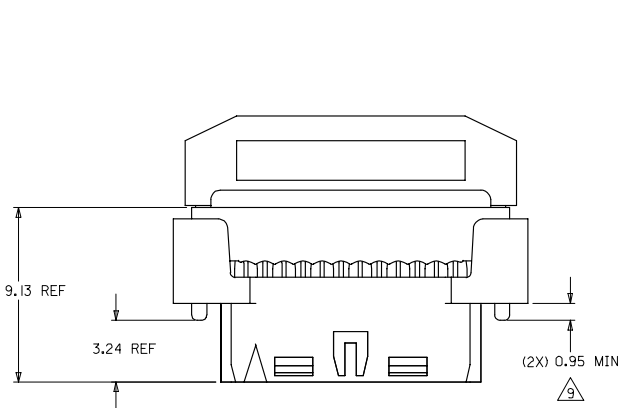
E

D

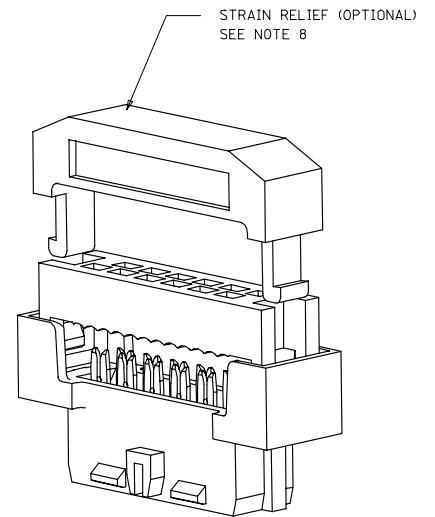
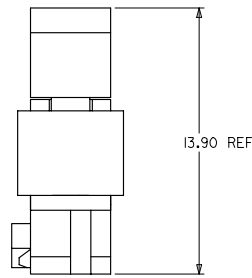
C

B

A



CABLE LOADED ASSEMBLY WITH STRAIN RELIEF



3D VIEW
(12 CKT SHOWN FOR ILLUSTRATION ONLY)

NOTES

△ THIS DIMENSION IS TO ENSURE GOOD CABLE TERMINATION.

ADD ASSY P/N FOR LF EC NO. S2005-0012 DRAWN BY: 2004/07/20 CHECKED BY: 2004/07/20 APPR: SKUH 2004/07/21	QUALITY SYMBOLS ▽=0 ▽=0	GENERAL TOLERANCES (UNLESS SPECIFIED)		DIMENSION STYLE MM ONLY		SCALE NTS	DESIGN UNITS METRIC	THIRD ANGLE PROJECTION	
		mm	INCH	DRAWN BY MSAKTHI	DATE 1999/02/26	TITLE SALES DRAWING MGRID 2MM DUAL ROW IDT RECEPTACLE			
		4 PLACES ± --- ± ---		CHECKED BY JSGOH	DATE 1999/07/19	MOLEX INCORPORATED			
		3 PLACES ± --- ± ---		APPROVED BY JAMES	DATE 1999/07/19	MATERIAL NO. SEE TABLE			
		2 PLACES ± 0.15 ± ---		DRAFT WHERE APPLICABLE MUST REMAIN WITHIN DIMENSIONS		DOCUMENT NO. SD-87568-003	SHEET NO. 3 OF 3		
		1 PLACE ± --- ± ---		SIZE A3		THIS DRAWING CONTAINS INFORMATION THAT IS PROPRIETARY TO MOLEX INCORPORATED AND SHOULD NOT BE USED WITHOUT WRITTEN PERMISSION			
		ANGULAR ± 3 °							

9 8 7 6 5 4 3 2 1