

NOTES:

- MATERIALS:
HOUSING: GLASS-FILLED NYLON 46, UL RATED 94V-0, COLOR: BEIGE.
PINS: BRASS ALLOY, C26000
- PLATING: 2.54µM MIN. TIN/LEAD OR TIN OVER 1.27µM MIN. NICKEL.
- DRAWING SHOWS PLUG WITH 5 CIRCUITS.
- HEADER TO BE USED WITH CRIMP HOUSING, P/N 87439 AND CRIMP TERMINAL, P/N 87421

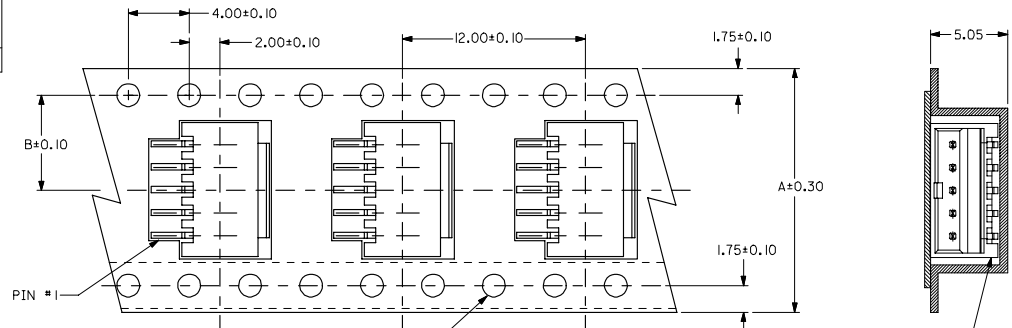
ADD ASSY P/N FOR LF EC NO. S2004-0871 DRAWN BY 2004/06/30 CHKD: SHEFONG 2004/07/01 APPR: SKTCH 2004/07/05	QUALITY SYMBOLS ▽=0 ▽=0	GENERAL TOLERANCES (UNLESS SPECIFIED)		DIMENSION STYLE MM ONLY		SCALE NTS	DESIGN UNITS METRIC	THIRD ANGLE PROJECTION	
		4 PLACES ± --- ± ---	DRAWN BY KCLING	DATE 1994/04/08	SALES DRAWING 150MM PITCH, W-T-B HEADER, R/A, SMT MOLEX INCORPORATED				
		3 PLACES ± --- ± .008	CHECKED BY SKTOH	DATE 1994/04/21					
		2 PLACES ± 0.20 ± ---	APPROVED BY ROYWONG	DATE 1994/04/24					
1 PLACE ± --- ± ---	MATERIAL NO. SEE TABLE		DOCUMENT NO. SD-87438-***31	SHEET NO. 1 OF 3					
DRAFT WHERE APPLICABLE MUST REMAIN WITHIN DIMENSIONS		SIZE A3		THIS DRAWING CONTAINS INFORMATION THAT IS PROPRIETARY TO MOLEX INCORPORATED AND SHOULD NOT BE USED WITHOUT WRITTEN PERMISSION					

	10	9	8	7	6	5	4	3	2	1								
					LEAD FREE TERMINAL P/N	HEADER IN TUBE PACKING	HEADER IN TAPE & REEL	TIN/LEAD TERMINAL P/N	HEADER IN TUBE PACKING	HEADER IN TAPE & REEL	CIRCUIT SIZE	A	B	C	D	E		
					87438-8084	87438-0242	87438-0243	87438-8082	87438-0232	87438-0233	2	1.50	3.30	3.70	4.30	1.70		
						87438-0342	87438-0343		87438-0332	87438-0333	3	3.00	4.80	5.20	5.80	3.20		
						87438-0442	87438-0443		87438-0432	87438-0433	4	4.50	6.30	6.70	7.30	4.70		
						87438-0542	87438-0543		87438-0532	87438-0533	5	6.00	7.80	8.20	8.80	6.20		
						87438-0642	87438-0643		87438-0632	87438-0633	6	7.50	9.30	9.70	10.30	7.70		
						87438-0742	87438-0743		87438-0732	87438-0733	7	9.00	10.80	11.20	11.80	9.20		
						87438-0842	87438-0843		87438-0832	87438-0833	8	10.50	12.30	12.70	13.30	10.70		
						87438-0942	87438-0943		87438-0932	87438-0933	9	12.00	13.80	14.20	14.80	12.20		
						87438-1042	87438-1043		87438-1032	87438-1033	10	13.50	15.30	15.70	16.30	13.70		
						87438-1142	87438-1143		87438-1132	87438-1133	11	15.00	16.80	17.20	17.80	15.20		
						87438-1242	87438-1243		87438-1232	87438-1233	12	16.50	18.30	18.70	19.30	16.70		
						87438-1342	87438-1343		87438-1332	87438-1333	13	18.00	19.80	20.20	20.80	18.20		
						87438-1442	87438-1443		87438-1432	87438-1433	14	19.50	21.30	21.70	22.30	19.70		
						87438-1542	87438-1543		87438-1532	87438-1533	15	21.00	22.80	23.20	23.80	21.20		
					LEAD FREE			TIN/LEAD										

ADD ASSY P/N FOR LF EC NO. S2004-0871 DRAWING 2004/06/30 CHKD: SHFONG 2004/07/01 APPR: SKTOH 2004/07/05	QUALITY SYMBOLS	GENERAL TOLERANCES (UNLESS SPECIFIED)	DIMENSION STYLE	SCALE	DESIGN UNITS	THIRD ANGLE PROJECTION	
	$\nabla=0$ $\nabla=0$	mm INCH 4 PLACES ± --- ± --- 3 PLACES ± --- ± .008 2 PLACES ± 0.20 ± --- 1 PLACE ± --- ± --- ANGULAR ± 3 °	MM ONLY	NTS	METRIC		
	DESCRIPTION		DRAWN BY	DATE	TITLE		
	REV		CHECKED BY	DATE	SALES DRAWING 150MM PTICH, W-T-B HEADER, R/A, SMT		
			SKTOH	1994/04/21			
			APPROVED BY	DATE			
			ROYWONG	1994/04/21			
			MATERIAL NO.	DOCUMENT NO.			
			SEE TABLE	SD-87438-***31			
			SIZE				
			A3				
			THIS DRAWING CONTAINS INFORMATION THAT IS PROPRIETARY TO MOLEX INCORPORATED AND SHOULD NOT BE USED WITHOUT WRITTEN PERMISSION				
						SHEET NO. 2 OF 3	

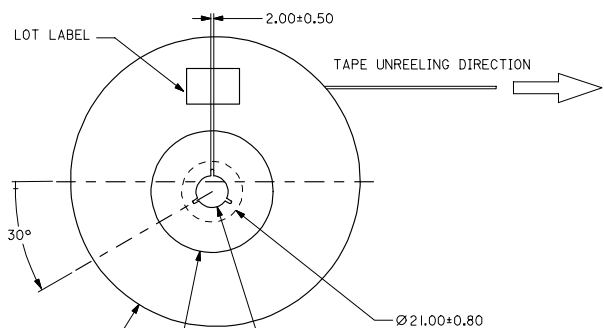
	10	9	8	7	6	5	4	3	2	1
	15	44	20.20	100	44.40	50.40				
	11, 12, 13, 14	32	14.20	100	32.40	38.40				
	7, 8, 9, 10	24	11.50	100	24.40	30.40				
	2, 3, 4, 5, 6	16	7.50	100	16.40	22.40				
	CIRCUIT SIZE	A	B	N	G	T MAX				

EMBOSSED CARRIER TAPE PACKING DETAILS



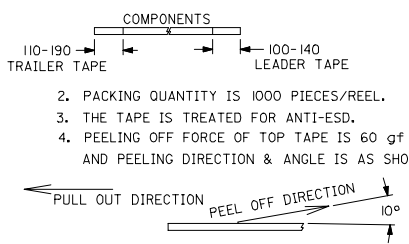
P/N: 87438-***31

REEL DETAILS



NOTES:

- LEADER AND TRAILER TAPE:
- PACKING QUANTITY IS 1000 PIECES/REEL.
- THE TAPE IS TREATED FOR ANTI-ESD.
- PEELING OFF FORCE OF TOP TAPE IS 60 gf MAX. AND PEELING DIRECTION & ANGLE IS AS SHOWN.



ADD ASSY P/N FOR LF EC NO. S2004-0871 DRAWING 2004/06/30 CHKD: SHFONG 2004/07/01 APPR: SKTOH 2004/07/05	QUALITY SYMBOLS ▽=0 ▽=0	GENERAL TOLERANCES (UNLESS SPECIFIED) mm INCH 4 PLACES ± --- ± --- 3 PLACES ± --- ± .008 2 PLACES ± 0.20 ± --- 1 PLACE ± --- ± --- ANGULAR ± 3 °	DIMENSION STYLE MM ONLY	SCALE NTS	DESIGN UNITS METRIC	THIRD ANGLE PROJECTION
			DRAWN BY KCL ING	DATE 1994/04/08	CHECKED BY SKTOH	DATE 1994/04/21
		DRAFT WHERE APPLICABLE MUST REMAIN WITHIN DIMENSIONS	MATERIAL NO. SEE TABLE	DOCUMENT NO. SD-87438-***31	MOLEX INCORPORATED	
			SIZE A3	THIS DRAWING CONTAINS INFORMATION THAT IS PROPRIETARY TO MOLEX INCORPORATED AND SHOULD NOT BE USED WITHOUT WRITTEN PERMISSION		SHEET NO. 3 OF 3