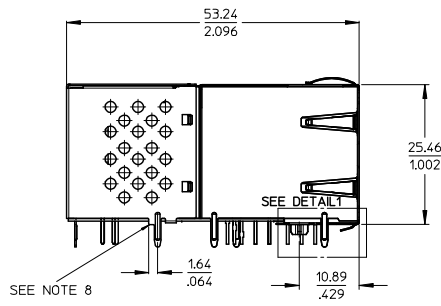
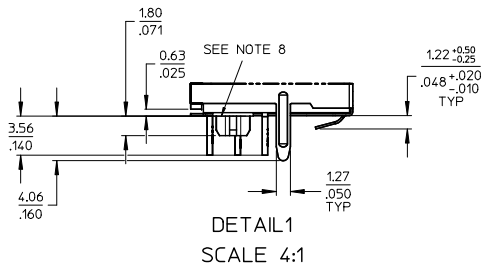
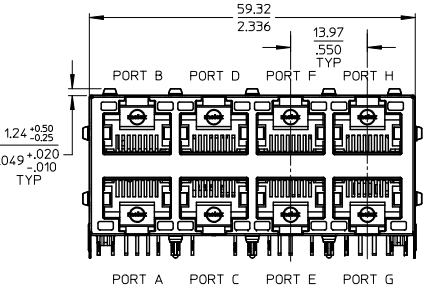


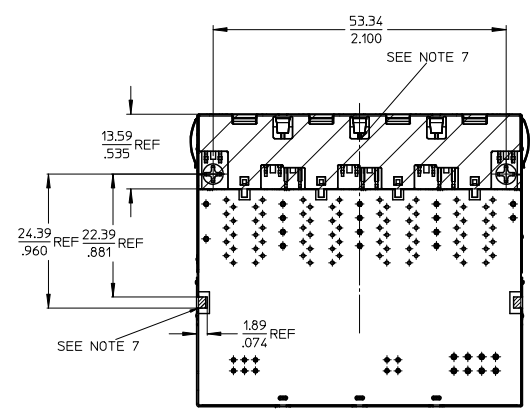
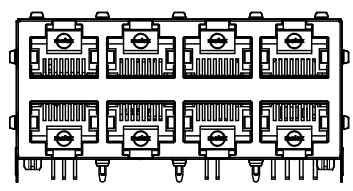
13 12 11 10 9 8 7 6 5 4 3 2 1



FRONT VIEW HYPER JACK 1000 POE+ ICM LED VERSION P/N 85729-0101



FRONT VIEW HYPERJACK 1000POE+ ICM NON LED VERSION P/N 85729-0102



| P / N      | VERSION         |
|------------|-----------------|
| 85729-0101 | LED VERSION     |
| 85729-0102 | NON LED VERSION |

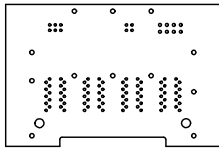
- NOTES:
- SHIELD MATERIAL: BRASS, PLATING: NI PRE-PLATING
  - PLASTIC MATERIAL: NAGASE-D-VALOX 420 SED BLACK, 30%GR, UL 94V-0.5V (PBT)
  - TERMINALS MATERIAL: COPPER ALLOY  
RJ45 CONTACT PLATING: 0.76µm GOLD OVER 1.9µm Ni  
SOLDER TERMINALS: 3µm Sn
  - JACK TO BE MATED WITH FCC 68.5 PLUGS
  - PRODUCT SPECIFICATION: PS-85719-001
  - PACKAGING SPECIFICATION: PK-85729-101
  - TRACES WITHOUT INSULATION NOT ALLOWED IN THE DASHED AREAS.  
(TO AVOID SHORTS TO SHIELD)
  - STAND OFF TO SYSTEM BOARD

| ENTER DESCRIPTION<br>EC NO. MG2009-0072<br>DRAWN: JBADER 2009/08/06<br>CHKD: MMANGARUDDV 2009/08/06<br>APPR: SSTE INKE 2009/08/07 | QUALITY SYMBOLS<br>▽=0<br>▽=0                        | GENERAL TOLERANCES (UNLESS SPECIFIED) |   | DIMENSION STYLE<br>MM ONLY |                    | SCALE<br>2:1   | DESIGN UNITS<br>METRIC | THIRD ANGLE PROJECTION                                 |
|---|--|---------------------------------------|---|----------------------------|--------------------|--|------------------------|--|
|   |  | mm                                    | INCH  | DRAWN BY<br>JBADER         | DATE<br>2009/03/12 | TITLE<br>HYPERJACK 1000 POE+ INTEGRATED CONNECTOR MODULE |                        |  |
| REV 1   | 4 PLACES ± --- ± ---                                 | 3 PLACES ± --- ± ---                  | 2 PLACES ± 0.25 ± ---   | 1 PLACE ± 0.5 ± ---        | ANGULAR ± 5 °      | APPROVED BY<br>SSTE INKE                                 | DATE<br>2009/03/12     | MOLEX INCORPORATED<br>SD-85729-101<br>SHEET NO. 1 OF 3 |
|   | DRAFT WHERE APPLICABLE MUST REMAIN WITHIN DIMENSIONS |                                       | SEE BOM   |                            | DOCUMENT NO.       |  |                        |  |
|   | SIZE A   |                                       | THIS DRAWING CONTAINS INFORMATION THAT IS PROPRIETARY TO MOLEX INCORPORATED AND SHOULD NOT BE USED WITHOUT WRITTEN PERMISSION |                            |                    |  |                        |  |
|   |  |                                       |   |                            |                    |  |                        |  |

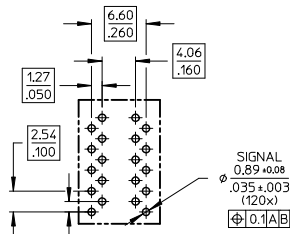
tb\_frame\_A2\_P\_AM\_1  
Rev. E 2006/04/15

12 11 10 9 8 7 6 5 4 3 2 1

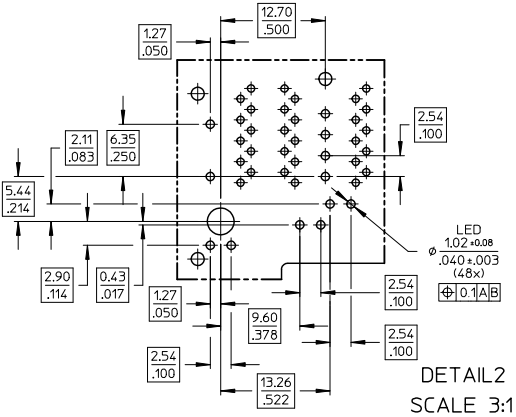
FOOT PRINT FOR NON LED VERSION (85729-0003)  
MISSING DIMENSIONS SEE LED VERSION



SCALE 1:1

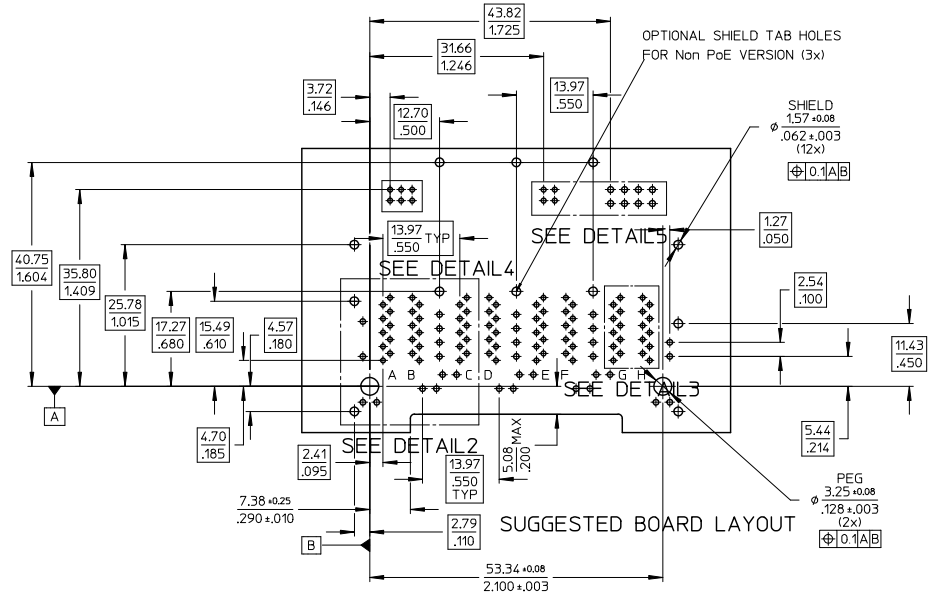


DETAIL 3  
SCALE 3:1

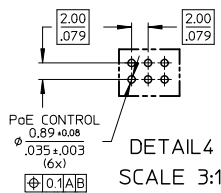


DETAIL 2  
SCALE 3:1

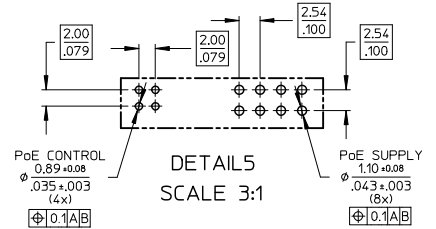
FOOT PRINT OUT FOR  
LED VERSION



SUGGESTED BOARD LAYOUT



DETAIL 4  
SCALE 3:1



DETAILS 5  
SCALE 3:1

|  |                                      |   |                      |                                   |                     |               |  |                                 |  |                                       |
|--|--------------------------------------|---|----------------------|-----------------------------------|---------------------|---------------|--|---------------------------------|--|---------------------------------------|
| <b>ENTER DESCRIPTION</b><br>EC NO: MG2009-0072 2009/08/06<br>DRAWN: JBADER<br>CHKD: MMANGARUDOV 2009/08/06<br>APPR: SSTE INKE 2009/08/07 | <b>QUALITY SYMBOLS</b><br>▽=0<br>▽=0 | <b>GENERAL TOLERANCES (UNLESS SPECIFIED)</b><br>mm INCH   |                      | <b>DIMENSION STYLE</b><br>MM ONLY |                     | SCALE 2:1     | DESIGN UNITS METRIC                                  | THIRD ANGLE PROJECTION          |  |                                       |
|  |                                      | 4 PLACES ± --- ± ---  | 3 PLACES ± --- ± --- | 2 PLACES ± 0.25 ± ---             | 1 PLACE ± 0.5 ± --- | ANGULAR ± 5 ° | DRAFT WHERE APPLICABLE MUST REMAIN WITHIN DIMENSIONS | DRAWN BY JBADER DATE 2009/03/12 | CHECKED BY MMANGARUDOV DATE 2009/03/12 | APPROVED BY SSTE INKE DATE 2009/03/12 |
|  |                                      | MATERIAL NO.  |                      |                                   | SEE SHEET 1         |               | DOCUMENT NO. SD-85729-101                            |                                 | SHEET NO. 2 OF 3                       |                                       |
|  |                                      | THIS DRAWING CONTAINS INFORMATION THAT IS PROPRIETARY TO MOLEX INCORPORATED AND SHOULD NOT BE USED WITHOUT WRITTEN PERMISSION |                      |                                   |                     |               |  |                                 |  |                                       |

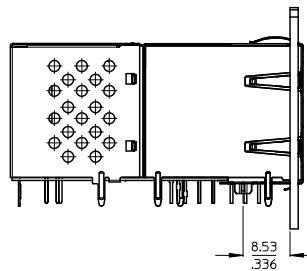
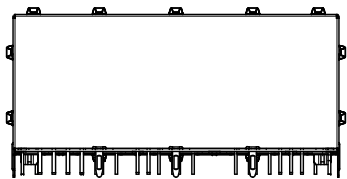
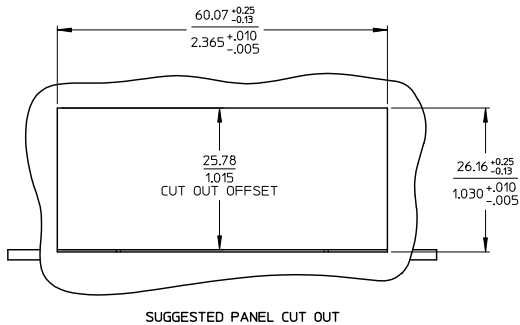
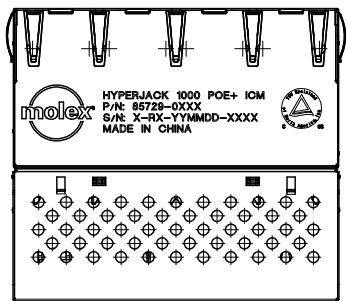
**HYPERJACK 1000  
POE+ INTEGRATED  
CONNECTOR MODULE**

**MOLEX INCORPORATED**

PRINTING  
LED VERSION  
HYPERJACK 1000 POE+ ICM  
P/N: 85729-0101  
S/N: X-RX-YYMMDD-XXXX  
MADE IN CHINA

PRINTING  
NON LED VERSION  
HYPERJACK 1000 POE+ ICM  
P/N: 85729-0102  
S/N: X-RX-YYMMDD-XXXX  
MADE IN CHINA

PRINTING



- NOTES:
- 1 - PRINTING MARKED BY LASER
  - 2 - INSCRIPTION:
    - 1st LINE: PART NAME
    - 2nd LINE: PART NUMBER
    - 3rd LINE: SERIES NUMBER -> MANUFACTURER ID - CONNECTOR REVISION - DATE CODE (YEAR, MONTH, DAY) - CONSECUTIVE NUMBER
    - 4th LINE: COUNTRY OF ORIGIN
  - 3 - TUV LOGO

|  |                               |   |         |                            |                    |  |                              |                        |
|--|-------------------------------|---|---------|----------------------------|--------------------|--|------------------------------|------------------------|
| ENTER DESCRIPTION<br>IEC NO: MG2009-0072<br>DRAWN: IBANDER 2009/08/06<br>CHKD: MMANGARUDOV 2009/08/06<br>APPR: SSTEINKE 2009/08/07 | QUALITY SYMBOLS<br>▽=0<br>▽=0 | GENERAL TOLERANCES (UNLESS SPECIFIED)   |         | DIMENSION STYLE<br>MM ONLY |                    | SCALE<br>2:1   | DESIGN UNITS<br>METRIC       | THIRD ANGLE PROJECTION |
|  |                               | 4 PLACES ± --- ± ---<br>3 PLACES ± --- ± ---<br>2 PLACES ± 0.25 ± ---<br>1 PLACE ± 0.5 ± ---<br>ANGULAR ± 5 ° | mm INCH | DRAWN BY<br>JBADER         | DATE<br>2009/03/12 | TITLE<br>HYPERJACK 1000 POE+ INTEGRATED CONNECTOR MODULE |                              | MOLEX INCORPORATED     |
| DRAFT WHERE APPLICABLE MUST REMAIN WITHIN DIMENSIONS   | SEE SHEET 1                   | MATERIAL NO.  |         | DATE<br>2009/03/12         |                    | APPROVED BY<br>SSTEINKE                                  | DOCUMENT NO.<br>SD-85729-101 | SHEET NO.<br>3 OF 3    |