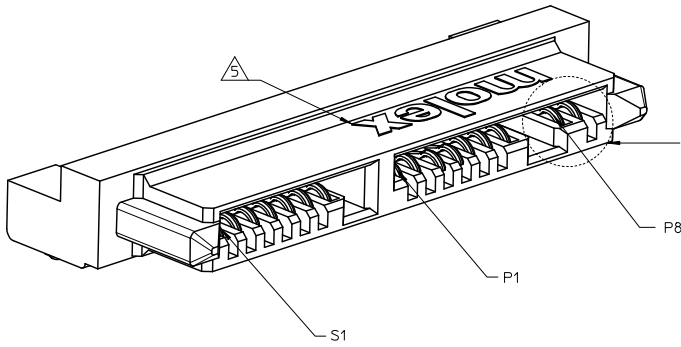
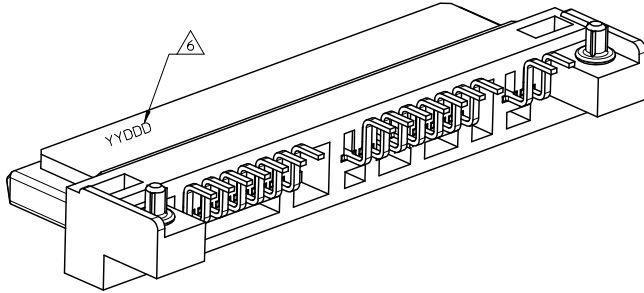


5	4	3	2	1
PART NUMBER	TOTAL PINS	DESCRIPTION		
78320-0001	16	WITH OPTIONAL MANUFACTURING PINS (S1 TO S7 & P1 TO P9)		
78320-1001	14	WITHOUT OPTIONAL MANUFACTURING PINS (S1 TO S7 & P1 TO P7)		



OPTIONAL  
MANUFACTURING PINS  
P8 & P9

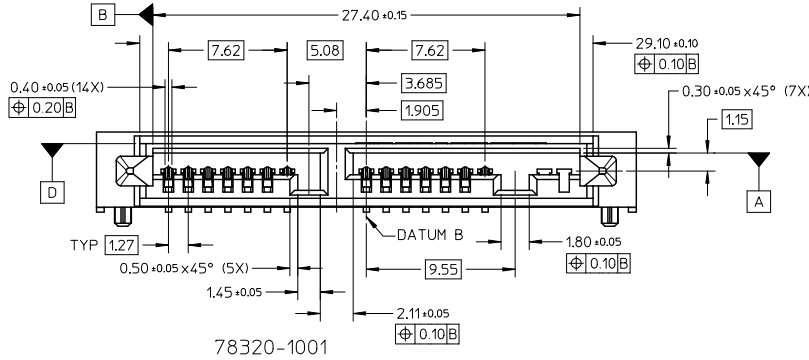


NOTES:

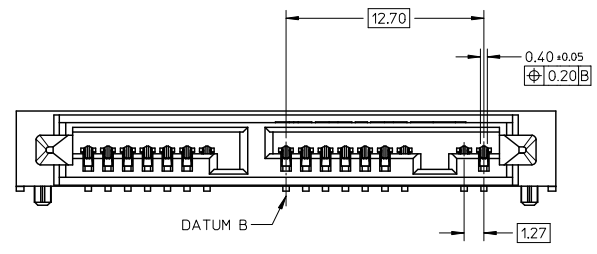
- MATERIAL : NYLON (PA), GLASS FILLED, UL 94V-0, BLACK  
TERMINAL/LOCATING PIN : COPPER ALLOY
- FINISHES :  
TERMINAL : 0.764µm MIN. SELECTIVE GOLD OVER  
1.274µm MIN. NICKEL UNDERPLATE  
: 2.54µm MIN. TIN OVER  
1.274µm MIN. NICKEL UNDERPLATE  
LOCATING PIN : 3.81µm MIN. TIN OVER  
2.00µm MIN. NICKEL UNDERPLATE
- PRODUCT SPECIFICATION: PS-78320-002
- PACKAGING : TRAY
- MOLEX LOGO LOCATED APPROXIMATELY AS SHOWN
- DATE CODE LOCATED APPROXIMATELY AS SHOWN
- THIS PRODUCT IS COMPLIANT TO RoHS DIRECTIVE WITH THE FOLLOWING BANNED SUBSTANCES - LEAD, MERCURY, CADMIUM, HEXAVALENT CHROMIUM, POLYBROMINATED BIPHENYLS AND POLYBROMINATED DIPHENYLS ETHERS.
- NON FUNCTIONAL CORING MAY VARY.

SEE SHEET 5 E.C. NO: S22009-0757 DRAWN: GMENARLY 2009/04/15 CHECKED: CGOH 2009/04/15 APPR: BOXOK 2009/04/16 REV: A2	QUALITY SYMBOLS	GENERAL TOLERANCES (UNLESS SPECIFIED)	DIMENSION STYLE	SCALE	DESIGN UNITS	THIRD ANGLE PROJECTION																		
	$\nabla=0$ $\nabla=0$	<table border="1"> <tr> <th></th> <th>mm</th> <th>INCH</th> </tr> <tr> <td>4 PLACES</td> <td>± ---</td> <td>± ---</td> </tr> <tr> <td>3 PLACES</td> <td>± ---</td> <td>± ---</td> </tr> <tr> <td>2 PLACES</td> <td>± 0.20</td> <td>± ---</td> </tr> <tr> <td>1 PLACE</td> <td>± ---</td> <td>± ---</td> </tr> <tr> <td colspan="3">ANGULAR ± 3°</td> </tr> </table>		mm	INCH	4 PLACES	± ---	± ---	3 PLACES	± ---	± ---	2 PLACES	± 0.20	± ---	1 PLACE	± ---	± ---	ANGULAR ± 3°			MM ONLY	NTS	METRIC	
		mm	INCH																					
	4 PLACES	± ---	± ---																					
	3 PLACES	± ---	± ---																					
2 PLACES	± 0.20	± ---																						
1 PLACE	± ---	± ---																						
ANGULAR ± 3°																								
DESCRIPTION	DRAWN BY	DATE	TITLE																					
	GMENARLY	2007/08/23	SERIAL ATA RECEPTACLE 1.8 INCH HDD/SSD R/A, SMT, 3.80MM HEIGHT																					
	CHECKED BY	DATE	MOLEX INCORPORATED																					
	YKOH	2007/10/04																						
	APPROVED BY	DATE	DOCUMENT NO.																					
	KCLING	2007/10/04	SD-78320-001																					
	MATERIAL NO.	SEE TABLE	SHEET NO.																					
	SIZE	A3	1 OF 5																					
DRAFT WHERE APPLICABLE MUST REMAIN WITHIN DIMENSIONS			THIS DRAWING CONTAINS INFORMATION THAT IS PROPRIETARY TO MOLEX INCORPORATED AND SHOULD NOT BE USED WITHOUT WRITTEN PERMISSION																					

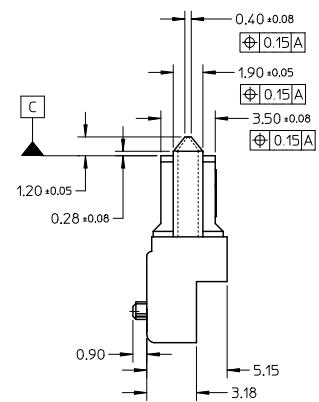
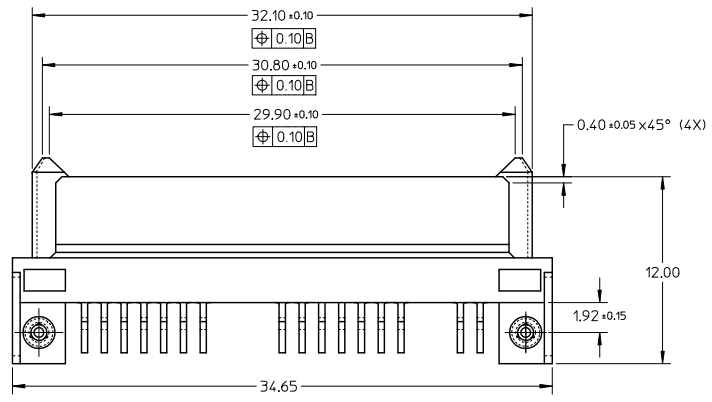
10 9 8 7 6 5 4 3 2 1



78320-1001



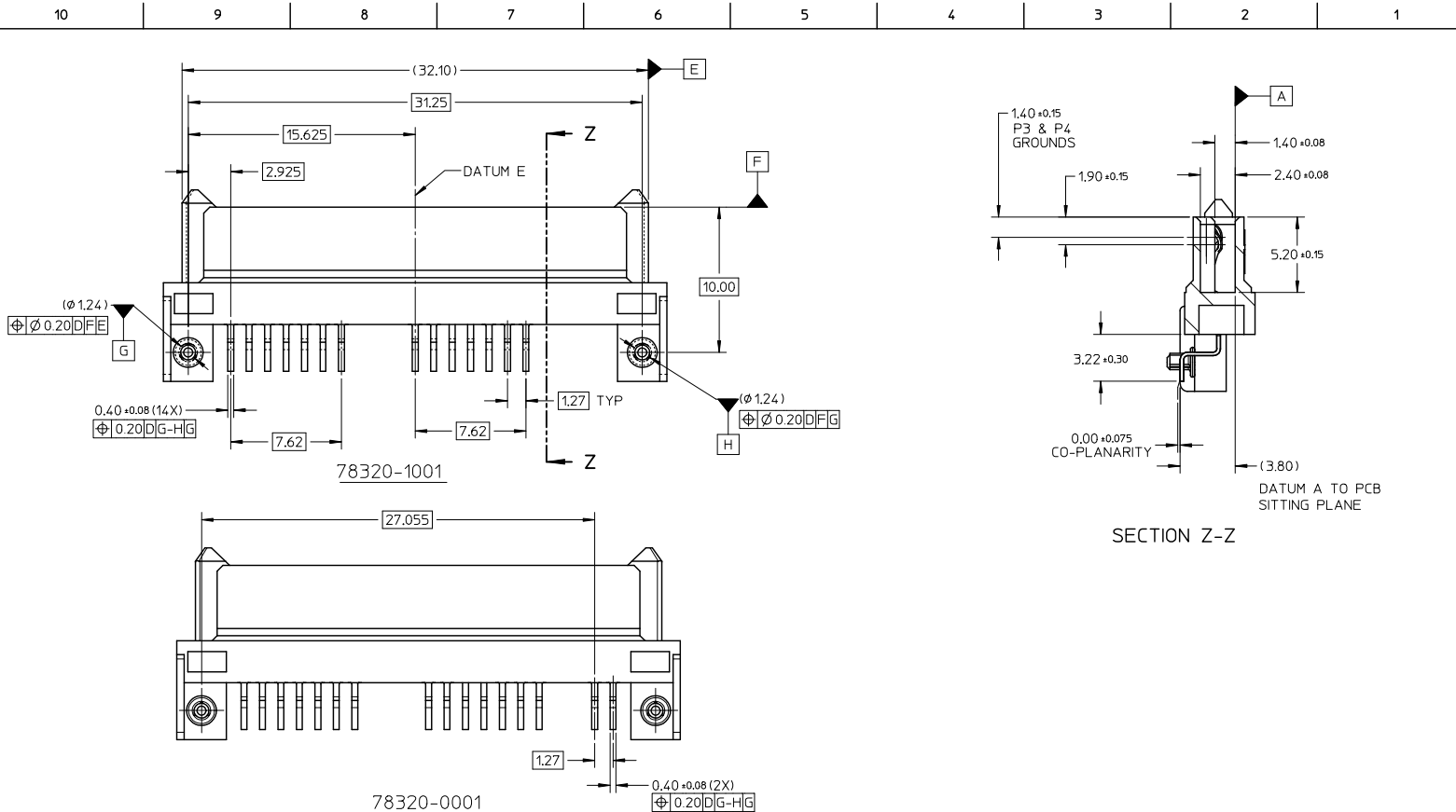
78320-0001



SEE SHEET 5 E.C. NO: S2009-0757 DRAWN BY: GMENARLY CHYK:CGH APPR:BOBOK 2009/02/15 2009/02/15 2009/02/16	QUALITY SYMBOLS ▽=0 ▽=0	GENERAL TOLERANCES (UNLESS SPECIFIED)		DIMENSION STYLE		SCALE	DESIGN UNITS	THIRD ANGLE PROJECTION	
				MM ONLY		NTS	METRIC		
				mm	INCH	DRAWN BY	DATE	TITLE	
				DRAFT WHERE APPLICABLE MUST REMAIN WITHIN DIMENSIONS		GMENARLY	2007/08/23	SERIAL ATA RECEPTACLE 1.8 INCH HDD/SSD R/A, SMT, 3.80MM HEIGHT	
				4 PLACES	± ---	± ---	MOLEX INCORPORATED		
				3 PLACES	± ---	± ---	DOCUMENT NO. SD-78320-001		
				2 PLACES	± 0.20	± ---	SHEET NO. 2 OF 5		
				1 PLACE	± ---	± ---	THIS DRAWING CONTAINS INFORMATION THAT IS PROPRIETARY TO MOLEX INCORPORATED AND SHOULD NOT BE USED WITHOUT WRITTEN PERMISSION		
				ANGULAR ± 3°					
				MATERIAL NO. SEE TABLE					
				APPROVED BY					
				KCLING					
				DATE					
				2007/10/04					

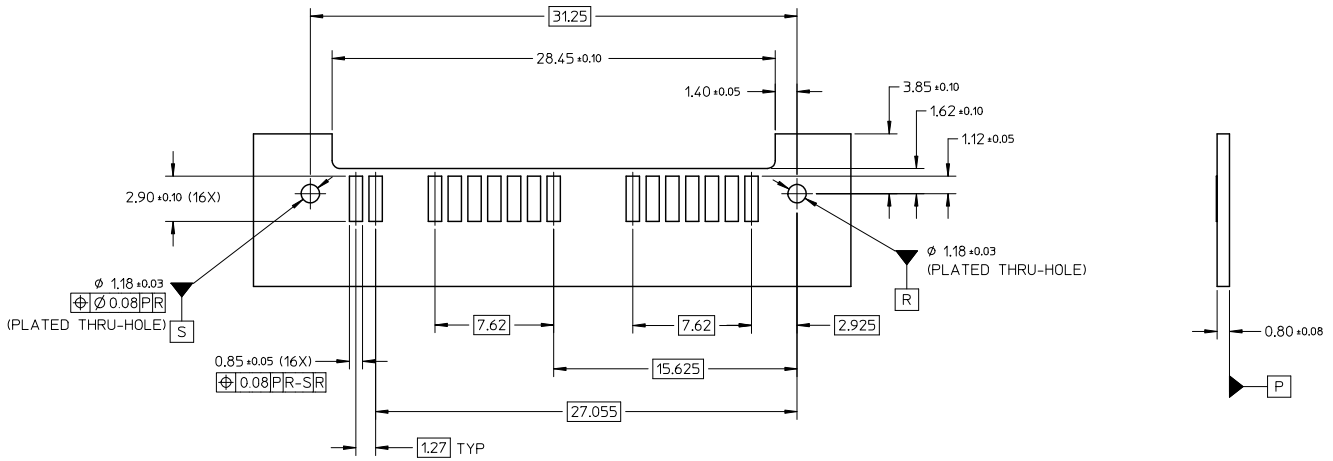
tb\_frame\_A3\_P\_AM\_T  
Rev. E 2006/04/15

9 8 7 6 5 4 3 2 1



SEE SHEET 5 E.C. NO: S22009-0757 DRAWN: GMENARLY CHECKED: CHYK/CCH APPR: BOBOK 2009/04/15 2009/04/15 2009/07/16	QUALITY SYMBOLS ▽=0 ▽=0	GENERAL TOLERANCES (UNLESS SPECIFIED) mm INCH 4 PLACES ± --- ± --- 3 PLACES ± --- ± --- 2 PLACES ± 0.20 ± --- 1 PLACE ± --- ± --- ANGULAR ± 3°	DIMENSION STYLE MM ONLY DRAWN BY DATE GMENARLY 2007/08/23 CHECKED BY DATE YKOH 2007/10/04 APPROVED BY DATE KCLING 2007/10/04	SCALE NTS DESIGN UNITS METRIC THIRD ANGLE PROJECTION	TITLE SERIAL ATA RECEPTACLE 1.8 INCH HDD/SSD R/A, SMT, 3.80MM HEIGHT MOLEX INCORPORATED	MATERIAL NO. SEE TABLE	DOCUMENT NO. SD-78320-001	SHEET NO. 3 OF 5
	DRAFT WHERE APPLICABLE MUST REMAIN WITHIN DIMENSIONS	THIS DRAWING CONTAINS INFORMATION THAT IS PROPRIETARY TO MOLEX INCORPORATED AND SHOULD NOT BE USED WITHOUT WRITTEN PERMISSION						

10 9 8 7 6 5 4 3 2 1



RECOMMENDED PCB LAYOUT

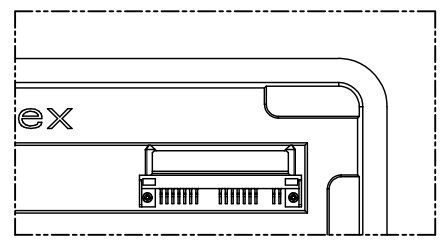
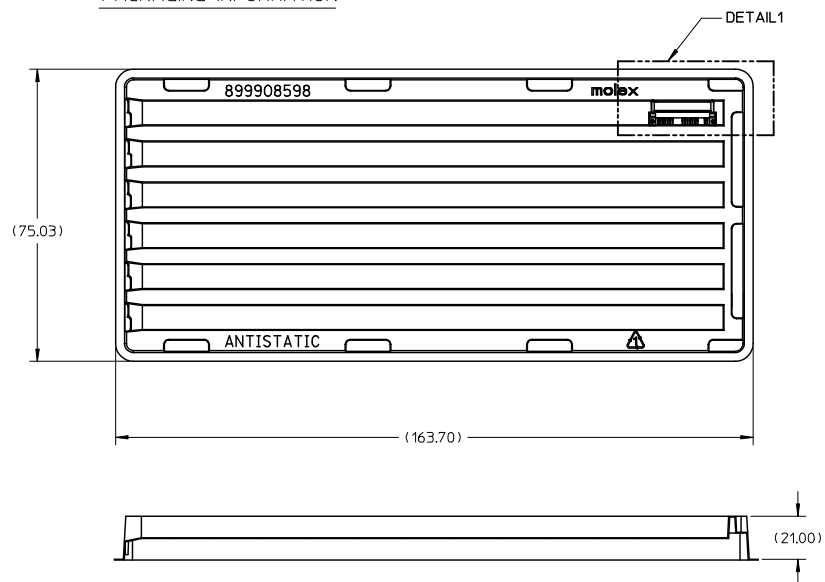
SEE SHEET 5 E.C. NO: S22009-0757 DRAWN: GMENARLY 2009/04/15 CHECKED: CHYKICGOH 2009/04/15 APPR: BOBOK 2009/04/16 REV: A2	QUALITY SYMBOLS	GENERAL TOLERANCES (UNLESS SPECIFIED)	DIMENSION STYLE	SCALE	DESIGN UNITS	THIRD ANGLE PROJECTION	
	▽=0 ▽=0	mm INCH 4 PLACES ± --- ± --- 3 PLACES ± --- ± --- 2 PLACES ± 0.20 ± --- 1 PLACE ± --- ± --- ANGULAR ± 3°	MM ONLY	NTS	METRIC		
	DRAFT WHERE APPLICABLE MUST REMAIN WITHIN DIMENSIONS	DRAWN BY: GMENARLY DATE: 2007/08/23 CHECKED BY: YKOH DATE: 2007/10/04 APPROVED BY: KCLING DATE: 2007/10/04 MATERIAL NO. SEE TABLE SIZE A3	DATE: 2007/08/23 DATE: 2007/10/04 DATE: 2007/10/04	TITLE			
				SERIAL ATA RECEPTACLE 1.8 INCH HDD/SSD R/A, SMT, 3.80MM HEIGHT MOLEX INCORPORATED	DOCUMENT NO. SD-78320-001	SHEET NO. 4 OF 5	

tb\_frame\_A3\_P\_AM\_T  
Rev. E 2006/04/15

9 8 7 6 5 4 3 2 1

10 9 8 7 6 5 4 3 2 1

PACKAGING INFORMATION



DETAIL 1

- NOTES:  
 1. PACKAGING QTY: 54PCS/TRAY  
 2. MATERIAL: PVC-CLEAR, ANTISTATIC  
 0.70MM THICK (PRE-FORMED)

CHANGED TRAY EIC NO: S2009-0757 DRAWN: GMENARLY CHECKED: CGOH APPR: BOXOK 2009/02/15 2009/02/15 2009/02/16	DESCRIPTION REV: A2	QUALITY SYMBOLS	GENERAL TOLERANCES (UNLESS SPECIFIED)	DIMENSION STYLE	SCALE	DESIGN UNITS	THIRD ANGLE PROJECTION	
		▽=0 ▽=0	mm INCH 4 PLACES ± --- ± --- 3 PLACES ± --- ± --- 2 PLACES ± 0.20 ± --- 1 PLACE ± --- ± --- ANGULAR ± 3°	MM ONLY	NTS	METRIC	DRAWN BY: GMENARLY DATE: 2007/08/23 CHECKED BY: YKOH DATE: 2007/10/04 APPROVED BY: KCLING DATE: 2007/10/04	TITLE: SERIAL ATA RECEPTACLE 1.8 INCH HDD/SSD R/A, SMT, 3.80MM HEIGHT MOLEX INCORPORATED
		DRAFT WHERE APPLICABLE MUST REMAIN WITHIN DIMENSIONS	MATERIAL NO. SEE TABLE	DOCUMENT NO. SD-78320-001	SHEET NO. 5 OF 5			
		THIS DRAWING CONTAINS INFORMATION THAT IS PROPRIETARY TO MOLEX INCORPORATED AND SHOULD NOT BE USED WITHOUT WRITTEN PERMISSION						

9 8 7 6 5 4 3 2 1