

MATERIALS AND FINISHES

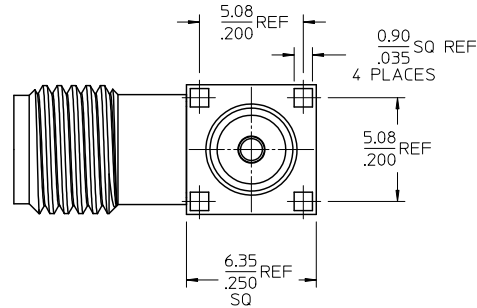
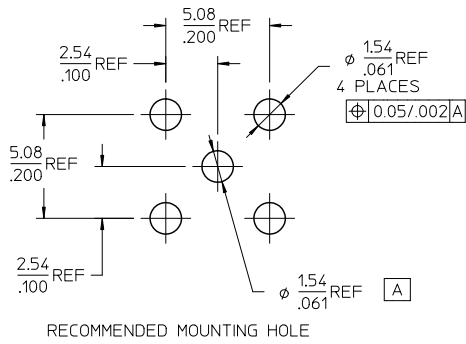
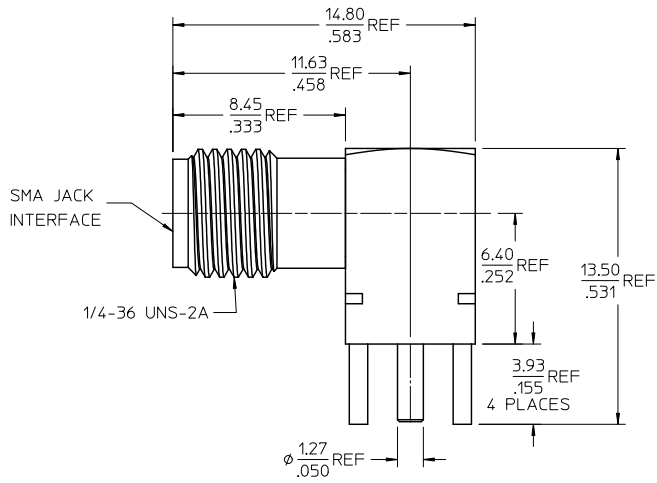
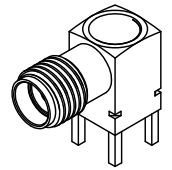
BODY BRASS
PLATED NICKEL

CENTER CONTACT BERYLLIUM COPPER
PLATED GOLD

PCB CONTACT BRASS
PLATED GOLD

INSULATOR TEFLON

EXCEPTION TO PRODUCT SPECIFICATION
73598-0111: FREQUENCY RANGE: DC TO 12GHz



PS-73598-0111	PRODUCT SPECIFICATION
SPECIFICATION	DESCRIPTION

73100-0115	TRAY
PART NO.	PACKAGING

ADDED GROOVE EC NO.: UPE2010-0473 DRW:SELIN 2010/01/28 CHKD: 2010/02/22 APPR:MHUANG 2010/02/22 B2 REV	QUALITY SYMBOLS ▽=0 ▽=0	GENERAL TOLERANCES (UNLESS SPECIFIED)		DIMENSION STYLE	SCALE	DESIGN UNITS	THIRD ANGLE PROJECTION	
		mm		MM/IN				
		4 PLACES ±---		DRAWN BY THOMPSON TSN 1993/10/15		DATE	TITLE SMA JACK R/A PCB, 50 OHMS PLATED NICKEL SMA-J/PCB	
		3 PLACES ±---		CHECKED BY		DATE	MOLEX INCORPORATED	
2 PLACES ±---		APPROVED BY MHUANG		DATE 2010/02/22	DOCUMENT NO. SD-73100-0115		SHEET NO. 1 OF 1	
1 PLACE ±---		ANGULAR ± 2 °		MATERIAL NO. SEE TABLE		THIS DRAWING CONTAINS INFORMATION THAT IS PROPRIETARY TO MOLEX INCORPORATED AND SHOULD NOT BE USED WITHOUT WRITTEN PERMISSION		
DRAFT WHERE APPLICABLE MUST REMAIN WITHIN DIMENSIONS		SIZE C						