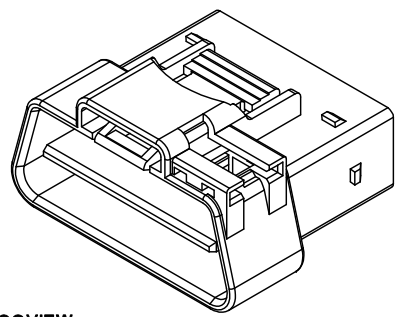
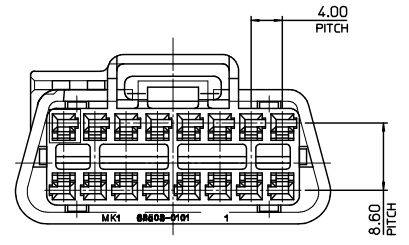
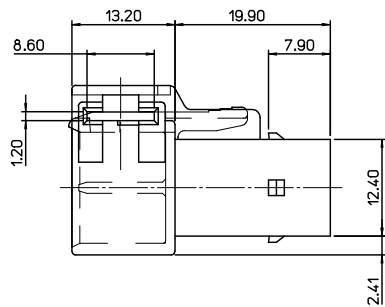
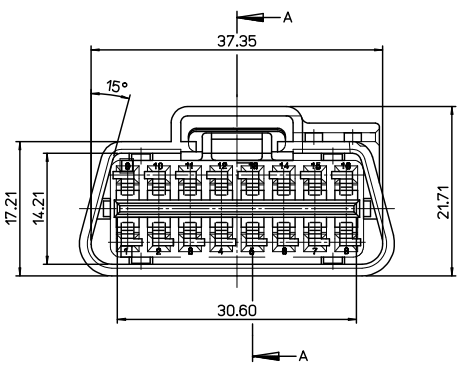


SECTION A-A



ISOVIEW



<TABLE 1>

685031602	68503-1602
MATERIAL NO.	ORDER NO.

NOTE
 1. MATERIAL : POLYESTER(PBT),BLACK
 2. MATES WITH : HSG,51115-1601/51116-1601
 TERMINAL,57964-9702
 3. USE WITH(OPTION) : WIRE DRESS COVER,68503-0101
 CPA,68503-0103

REVISED EC NO: KOR2009-0034 DRAWN:KIM 2008/10/08 CHECK:CHOON 2008/10/14 APPR:TUNSTIKIM 2008/10/14 DESCRIPTION REV	QUALITY SYMBOLS	GENERAL TOLERANCES (UNLESS SPECIFIED) <table border="1"> <tr> <td></td> <td>mm</td> <td>INCH</td> </tr> <tr> <td>4 PLACES</td> <td>± 0.10</td> <td>± 0.004</td> </tr> <tr> <td>3 PLACES</td> <td>± 0.15</td> <td>± 0.005</td> </tr> <tr> <td>2 PLACES</td> <td>± 0.30</td> <td>± 0.012</td> </tr> <tr> <td>1 PLACE</td> <td>± 0.50</td> <td>± 0.020</td> </tr> <tr> <td colspan="3">ANGULAR ± 1°</td> </tr> </table>		mm	INCH	4 PLACES	± 0.10	± 0.004	3 PLACES	± 0.15	± 0.005	2 PLACES	± 0.30	± 0.012	1 PLACE	± 0.50	± 0.020	ANGULAR ± 1°			DIMENSION STYLE	SCALE	DESIGN UNITS	THIRD ANGLE PROJECTION
			mm	INCH																				
	4 PLACES		± 0.10	± 0.004																				
	3 PLACES		± 0.15	± 0.005																				
2 PLACES	± 0.30	± 0.012																						
1 PLACE	± 0.50	± 0.020																						
ANGULAR ± 1°																								
	MM ONLY	2:1	METRIC																					
	DRAWN BY DATE	TITLE																						
	HCRHO 2001/12/29	OBd MALE HOUSING 16P																						
	CHECKED BY DATE																							
	HCRHO 2001/12/29																							
	APPROVED BY DATE																							
	CWLEE 2001/12/29																							
	MATERIAL NO.	DOCUMENT NO.																						
	SEE TABLE 1	SD-68503-004																						
	SIZE	THIS DRAWING CONTAINS INFORMATION THAT IS PROPRIETARY TO MOLEX INCORPORATED AND SHOULD NOT BE USED WITHOUT WRITTEN PERMISSION																						
	A3																							