

10 9 8 7 6 5 4 3 2 1

NOTES :

1. MATERIAL :

HOUSING : HIGH TEMPERATURE NYLON ,GLASS FIBER,UL94-V0 , COLOR: BLACK  
 TERMINAL : PHOSPHOR BRONZE(PhBr), C5100 EH, PER ES-I24-E108  
 METAL SHELL : COPPER ALLOY

2. PLATING :

TERMINAL :

CONTACT AREA : (a) GOLD FLASH.

(b) GL0D (Au), THICKNESS = 30 MICROINCH/0.76 MICROMETER

SOLDER TAIL : TIN.

THICKNESS=50-100 MICROINCH/1.27-2.54 MICROMETER

UNDER PLATE : NICKEL (NI), THICKNESS= 50 MICROINCH/L27 MICROMETER

METAL SHELL : TIN.

THICKNESS=50-100 MICROINCH/1.27-2.54 MICROMETER

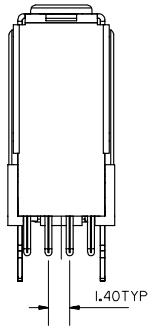
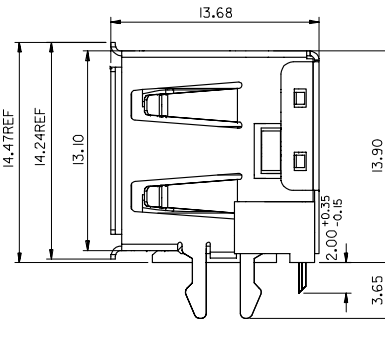
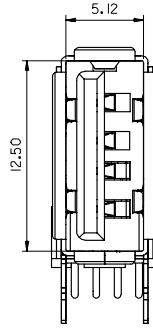
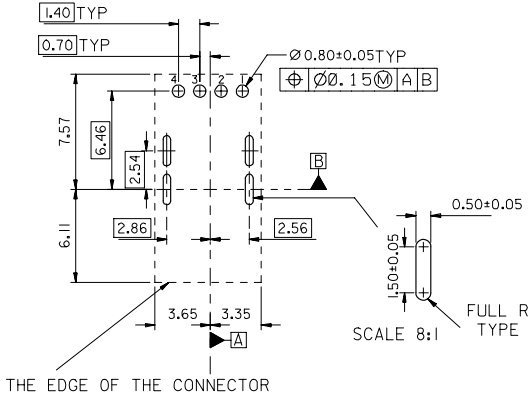
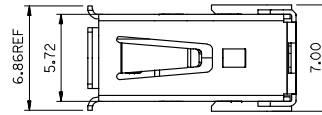
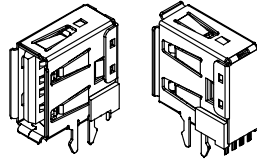
UNDER PLATE : NICKEL (NI), THICKNESS= 50 MICROINCH/L27 MICROMETER

SURFACE APPEARANCE :BRIGHT

3 RECOMMENDED PCB THICKNESS : 1.60±0.05 mm.

4 PRODUCT SPECIFICATION : REFER TO PS-89485

5 PACKAGING SPECIFICATION : REFER TO PK-67329-001



PART NUMBER LEGEND:

P/N	CONTACT PLATING
67329-8020	GOLD FLASH
67329-8021	0.76 MICROMETER/30 MICROINCH GOLD

NEW RELEASE	2005/12/09	QUALITY SYMBOLS	GENERAL TOLERANCES (UNLESS SPECIFIED)	DIMENSION STYLE MM ONLY	SCALE 4:1	DESIGN UNITS METRIC	THIRD ANGLE PROJECTION
	2006/01/10						
DRW:HP01AN	2006/01/10	▽=0	4 PLACES ± --- ± ---	DRAWN BY QIANHUIPING	DATE 2005/12/09	TITLE USB UPRIGHT CONNECTOR FLANG OUT TYPE WITH FORK LOCK LEAD FREE	
CHK:CHAREY	2006/01/10	▽=0	3 PLACES ± --- ± ---	CHECKED BY HARVEY	DATE 2005/12/09		
APP:HWANG	2006/01/10		2 PLACES ± 0.25 ± ---	APPROVED BY GARY	DATE 2005/12/09	MATERIAL NO. DOCUMENT NO. SD-67329-802	
			1 PLACE ± 0.25 ± ---				
			ANGULAR ± 3 °	SEE CHART		MATERIAL NO. DOCUMENT NO. SD-67329-802	
			DRAFT WHERE APPLICABLE MUST REMAIN WITHIN DIMENSIONS	SIZE A3		THIS DRAWING CONTAINS INFORMATION THAT IS PROPRIETARY TO MOLEX INCORPORATED AND SHOULD NOT BE USED WITHOUT WRITTEN PERMISSION	

9 8 7 6 5 4 3 2 1