

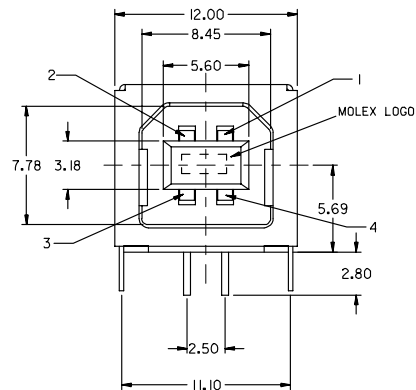
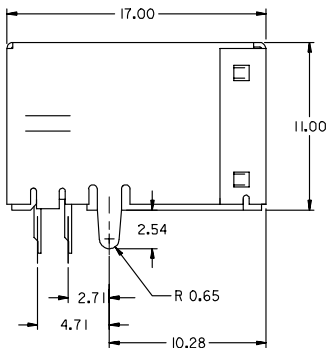
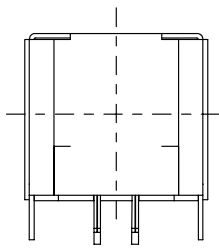
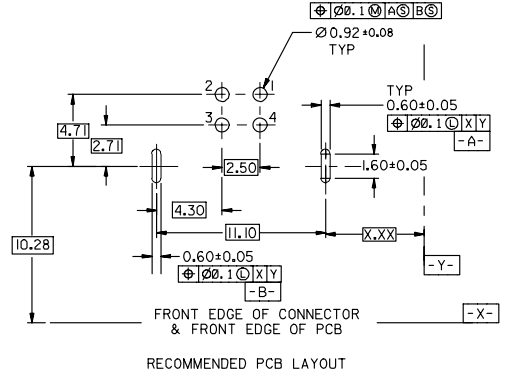
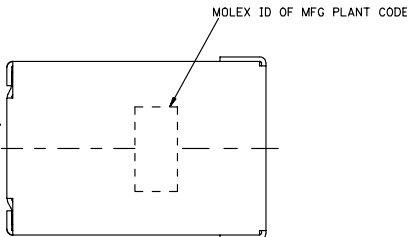


10 9 8 7 6 5 4 3 2 1

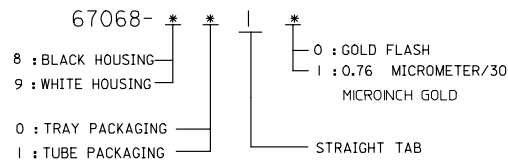
NOTES :  
 1. MATERIAL :  
 HOUSING : (a) HIGH TEMP. NYLON, CLASS FIBER FILLED,UL94V-0, COLOR: BLACK,  
 (b) POLYESTER , GLASS FIBER FILLED,UL94V-0, COLOR: WHITE,  
 TERMINAL : PHOSPHOR BRONZE  
 METAL SHELL : COPPER ALLOY

2. PLATING :  
 TERMINAL :  
 CONTACT AREA : (a) GOLD FLASH,  
 (b) GLOD (Au), THICKNESS = 30 MICROINCH MINIMUM,  
 /0.76 MICROMETER MINIMUM.  
 SOLDER TAIL :  
 PURE TIN(Sn) THICKNESS= 75 MICROINCH MINIMUM .  
 /1.9 MICROMETER MINIMUM.  
 UNDER PLATE : NICKEL (Ni), THICKNESS= 50 MICROINCH MINIMUM.  
 /1.27 MICROMETER MINIMUM.  
 METAL SHELL :  
 PURE TIN(Sn) THICKNESS= 50 MICROINCH MINIMUM.  
 /1.27 MICROMETER MINIMUM.  
 UNDER PLATE : NICKEL (Ni), THICKNESS= 50 MICROINCH MINIMUM.  
 /1.27 MICROMETER MINIMUM.

3 DATUM AND BASIC DIMENSIONS ESTABLISHED BY CUSTOMER  
 RECOMMENDED PCB THICKNESS : 1.60±0.05  
 4 PRODUCT SPECIFICATION : REFER TO PS-67998-0000



PART NUMBER LEGEND:



NEW RELEASE IEC NO. SH2005-0142 DRWN: DAVID HU 2004/11/05 CHKD: HARRY 2004/11/05 APPR: YITAP 2004/11/25	QUALITY SYMBOLS	GENERAL TOLERANCES (UNLESS SPECIFIED)	DIMENSION STYLE MM ONLY	SCALE 4:1	DESIGN UNITS METRIC	THIRD ANGLE PROJECTION																																	
	$\nabla=0$ $\nabla=0$	<table border="1"> <tr> <th></th> <th>mm</th> <th>INCH</th> </tr> <tr> <td>4 PLACES</td> <td>± ---</td> <td>± ---</td> </tr> <tr> <td>3 PLACES</td> <td>± ---</td> <td>± ---</td> </tr> <tr> <td>2 PLACES</td> <td>± 0.25</td> <td>± --- 2004/11/05</td> </tr> <tr> <td>1 PLACE</td> <td>± 0.25</td> <td>± ---</td> </tr> </table>		mm	INCH	4 PLACES	± ---	± ---	3 PLACES	± ---	± ---	2 PLACES	± 0.25	± --- 2004/11/05	1 PLACE	± 0.25	± ---	<table border="1"> <tr> <th>DRAWN BY</th> <th>DATE</th> <th>TITLE</th> </tr> <tr> <td>DAVID HU</td> <td>2004/11/05</td> <td>USB B TYPE CONNECTOR WITH STRAIGHT TAB (LEAD-FREE)</td> </tr> <tr> <th>CHECKED BY</th> <th>DATE</th> <th></th> </tr> <tr> <td></td> <td>2004/11/05</td> <td></td> </tr> <tr> <th>APPROVED BY</th> <th>DATE</th> <th></th> </tr> <tr> <td></td> <td></td> <td></td> </tr> </table>	DRAWN BY	DATE	TITLE	DAVID HU	2004/11/05	USB B TYPE CONNECTOR WITH STRAIGHT TAB (LEAD-FREE)	CHECKED BY	DATE			2004/11/05		APPROVED BY	DATE							
		mm	INCH																																				
	4 PLACES	± ---	± ---																																				
3 PLACES	± ---	± ---																																					
2 PLACES	± 0.25	± --- 2004/11/05																																					
1 PLACE	± 0.25	± ---																																					
DRAWN BY	DATE	TITLE																																					
DAVID HU	2004/11/05	USB B TYPE CONNECTOR WITH STRAIGHT TAB (LEAD-FREE)																																					
CHECKED BY	DATE																																						
	2004/11/05																																						
APPROVED BY	DATE																																						
	ANGULAR ± 3 °	DRAFT WHERE APPLICABLE MUST REMAIN WITHIN DIMENSIONS	SEE NOTES	MATERIAL NO.	DOCUMENT NO.	SHEET NO.																																	

9 8 7 6 5 4 3 2 1



ENG. NO SDA-67068-0000

EDP NO.

SIMILAR ITEM

CAD FILE : \_S6706802\_

DO NOT SCALE DRAWING

8 7 6 5 4 3 2 1

NOTES :

1. MATERIAL :

HOUSING : (a) HIGH TEMP. NYLON, GLASS FIBER FILLED, UL94V-0, COLOR: BLACK,

TERMINAL : PHOSPHOR BRONZE  
METAL SHELL : COPPER ALLOY

2. PLATING :

TERMINAL : (a) GOLD FLASH,  
CONTACT AREA : (b) GLOD (Au), THICKNESS = 30 MICROINCH MINIMUM,  
/0.76 MICROMETER MINIMUM.

SOLDER TAIL : PURE TIN(Sn) THICKNESS= 75 MICROINCH MINIMUM,  
/1.9 MICROMETER MINIMUM.

UNDER PLATE : NICKEL (Ni), THICKNESS= 50 MICROINCH MINIMUM,  
/1.27 MICROMETER MINIMUM.

METAL SHELL : PURE TIN(Sn) THICKNESS= 50 MICROINCH MINIMUM,  
/1.27 MICROMETER MINIMUM.

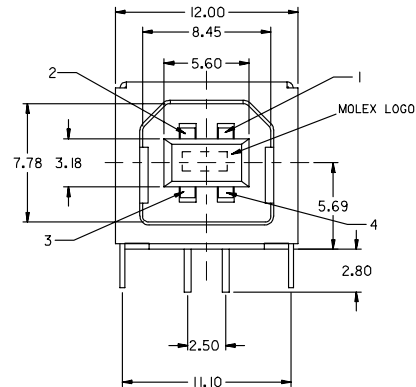
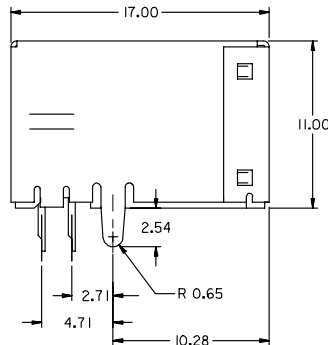
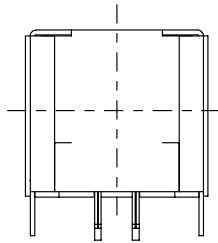
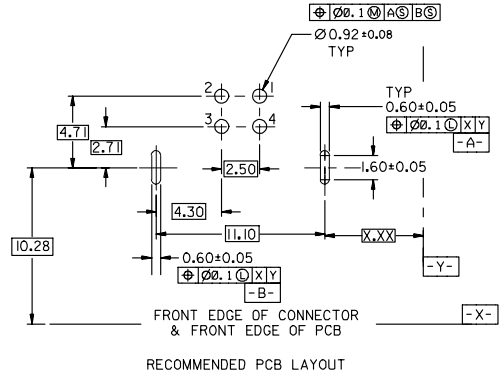
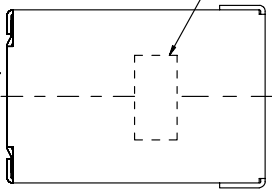
UNDER PLATE : NICKEL (Ni), THICKNESS= 50 MICROINCH MINIMUM,  
/1.27 MICROMETER MINIMUM.

3 DATUM AND BASIC DIMENSIONS ESTABLISHED BY CUSTOMER

RECOMMENDED PCB THICKNESS : 1.60±0.05

4 PRODUCT SPECIFICATION : REFER TO PS-67998-0000

MOLEX ID OF MFG PLANT CODE



PART NUMBER LEGEND:

67068- 7051

				MATERIAL : SEE NOTES		MOLEX TAIWAN LTD.	
				FINISH : SEE NOTES		SHEET 4 OF 4	
				WIRE RANGE :		GENERAL TOLERANCES	
				INS. RANGE :		ANGLE : ± 3° DIM : ± .25/.010	
A NEW RELEASE FOR LEAD-FREE				DAVID HJ 2006/11/5		ENG. NO.: SD-67068-003	
LTR REVISION RECORD				ECN DR DATE		DRAWN BY 2004/11/5	
				DAVID HJ		CHK'D BY	
REVISE ONLY ON CAD SYSTEM				APPR'D BY		SCALE 4 : 1	
						TITLE : HIGH TEMP.USB B TYPE CONNECTOR WITH STRAIGHT TAB (LEAD-FREE)	
						REV A	

THIS DRAWING CONTAINS INFORMATION THAT IS PROPRIETARY TO MOLEX (FEMLE) AND SHOULD NOT BE USED WITHOUT WRITTEN PERMISSION

MXT, Sg - 13

