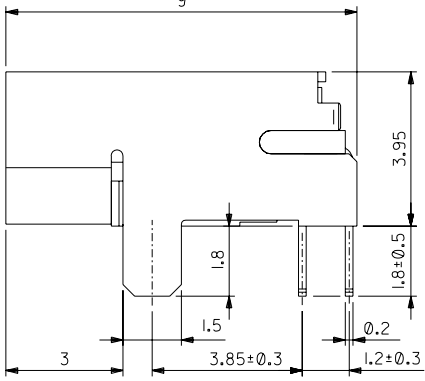
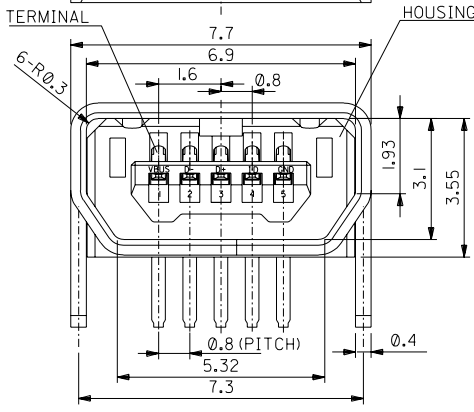
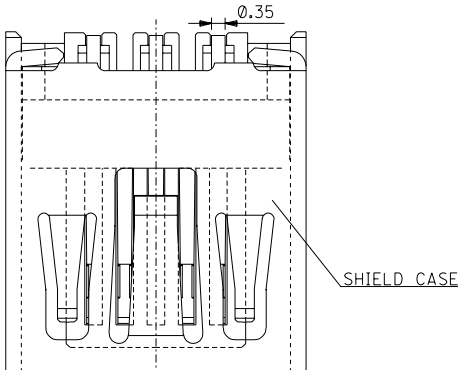
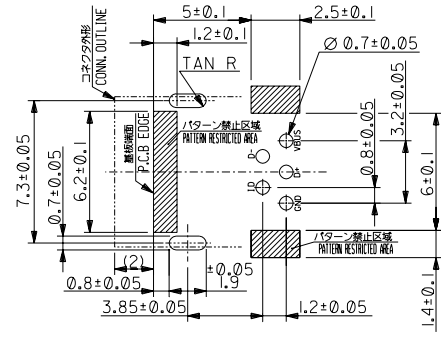


DWG. NO. SD-56579-014

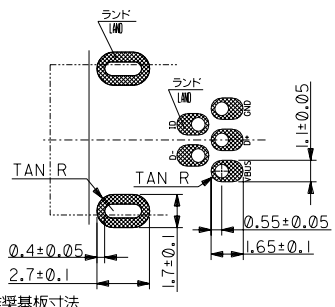
8 7 6 5 4 3 2 1



コネクタ実装側 (CONNECTOR MOUNT SIDE)



逆側 (REVERSE SIDE)



推奨基板寸法  
RECOMMENDED P.C.B. PATTERN LAYOUT

- 注記 1. 材質 MATERIAL  
 ハウジング: ポリフタルアミド, ガラス充填, 灰色, UL94V-0  
 HOUSING: POLYPTHAL AMIDE GLASS FILLED, GRAY, UL94V-0  
 ターミナル: 銅合金 (t=0.2)  
 TERMINAL: COPPER ALLOY (t=0.2)  
 シールド ケース: 銅合金 (t=0.4)  
 SHIELD CASE: COPPER ALLOY (t=0.4)
2. メッキ仕様 PLATING  
 ターミナル TERMINAL  
 接点部: 金メッキ 0.76μm MIN.  
 CONTACT AREA: GOLD 0.76MICRO METER MIN.  
 半田付け部: 鉛メッキ 1.0μm MIN.  
 SOLDER TAIL AREA: TIN 1.0MICRO METER MIN.  
 下地部: ニッケルメッキ 4.0μm MIN.  
 UNDER PLATING: NICKEL 4.0MICRO METER MIN.  
 シールド ケース SHIELD CASE  
 銅メッキ 1.0μm MIN.  
 TIN 1.0MICRO METER MIN.  
 下地部: ニッケルメッキ 1.0μm MIN.  
 UNDER PLATING: NICKEL 1.0MICRO METER MIN.
3. 本製品は56579-0511の鉛フリー品である。  
 THIS PRODUCT IS LEAD FREE OF 56579-0511

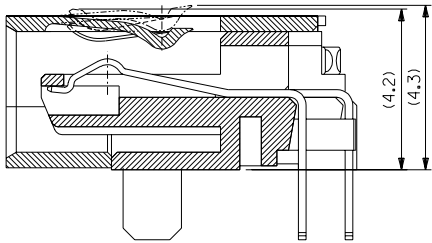
DO NOT SCALE DRAWING

E84NO. DRWN: CHK: APPR:	E83NO. DRWN: CHK: APPR:	E82NO. DRWN: CHK: APPR:	E81NO. DRWN: CHK: APPR:	RELEASED E80NO. J2004-2996 DRWN: M.NAGATA '04/03/10 CHK: K.TOJO '04/03/10 APPR: M.SASAO '04/03/10
8	7	6	5	4

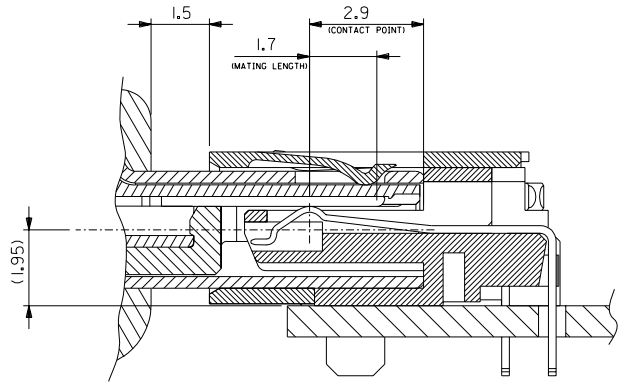
MATERIAL 材料	SEE NOTES
FINISH 仕上り	SEE NOTES
WIRE RANGE 適用電線範囲	—
INS. RANGE 被覆外径	—

MODEL NO.	56579-0519	DIMENSIONS:	<input checked="" type="checkbox"/> mm <input type="checkbox"/> INCH <input type="checkbox"/> ONLY	SHT	REV
DESIGN UNITS	<input checked="" type="checkbox"/> mm <input type="checkbox"/> INCH	PROJECTION	<input checked="" type="checkbox"/> FIRST ANGLE <input type="checkbox"/> THIRD ANGLE		
SCALE	1:1	TITLE:	USB SERIES MINI-AB REC. ASS'Y DIP -LEAD FREE-		
DRAWN BY & DATE	M.NAGATA '04/03/10	MOLEX INCORPORATED MATERIAL NO. 56579-0519 DRAWING NO. SD-56579-014 SHEET NO. 1 OF 2			
CHECKED BY & DATE	K.TOJO '04/03/10				
APPROVED BY & DATE	M.SASAO '04/03/10	CAD FILENAME: SD-56579-014.S01 THIS DRAWING CONTAINS INFORMATION THAT IS PROPRIETARY TO MOLEX INCORPORATED AND SHOULD NOT BE USED WITHOUT WRITTEN PERMISSION.			
GENERAL TOLERANCES: UNLESS SPECIFIED:	ANGLE 角度	10 UNDER 未満 ±0.2 10 OVER 以上 30 未満 ±0.25 30 OVER 以上 ±0.3			

DWG. NO. SD-56579-014



SECTION



MATING

DO NOT SCALE DRAWING	8	7	6	5	4	3	2	1	F	E	D	C	B	A	DIMENSIONS:		SHT	REV
															<input type="checkbox"/> mm <input type="checkbox"/> INCH <input checked="" type="checkbox"/> mm ONLY		2	1
															<input type="checkbox"/> INCH <input type="checkbox"/> mm		2	1
															<input checked="" type="checkbox"/> mm ONLY		2	1
MATERIAL 材料										GENERAL TOLERANCES: (UNLESS SPECIFIED) 一般公差		SCALE	DESIGN UNITS	PROJECTION		TITLE:		
SEE NOTES										10 UNDER 未満 +0.2		1:1	mm	FIRST ANGLE		USB SERIES MINI-AB REC. ASS'Y DIP -LEAD FREE-		
FINISH 仕上り										10 OVER 以上 30 UNDER 未満 +0.25		1:1	mm	SECOND ANGLE		MOLEX INCORPORATED		
WIRE RANGE 適用電線範囲										30 OVER 以上 +0.3		1:1	mm	THIRD ANGLE		MATERIAL NO. 56579-0519		
INS. RANGE 被覆外径										ANGLE 角度 ±3°		1:1	mm	FOURTH ANGLE		DRAWING NO. SD-56579-014		
REV. DESCRIPTION										DRAWN BY & DATE M.NAGATA '04/03/10		MATERIAL NO.		DRAWING NO.		SHEET NO.		
①										CHECKED BY & DATE K.TOJO '04/03/10		56579-0519		SD-56579-014		2		
										APPROVED BY & DATE M.SASAO '04/03/10		SD-56579-014.S02		SD-56579-014		2		
										CAD FILENAME		SD-56579-014.S02		SD-56579-014		2		
										MATERIAL NO.		56579-0519		SD-56579-014		2		
										DRAWING NO.		SD-56579-014		SD-56579-014		2		
										SHEET NO.		2		SD-56579-014		2		
										SIZE		B		SD-56579-014		2		
										INCORPORATED AND SHOULD NOT BE USED WITHOUT WRITTEN PERMISSION.				EN-02J(097) MXJ-54				