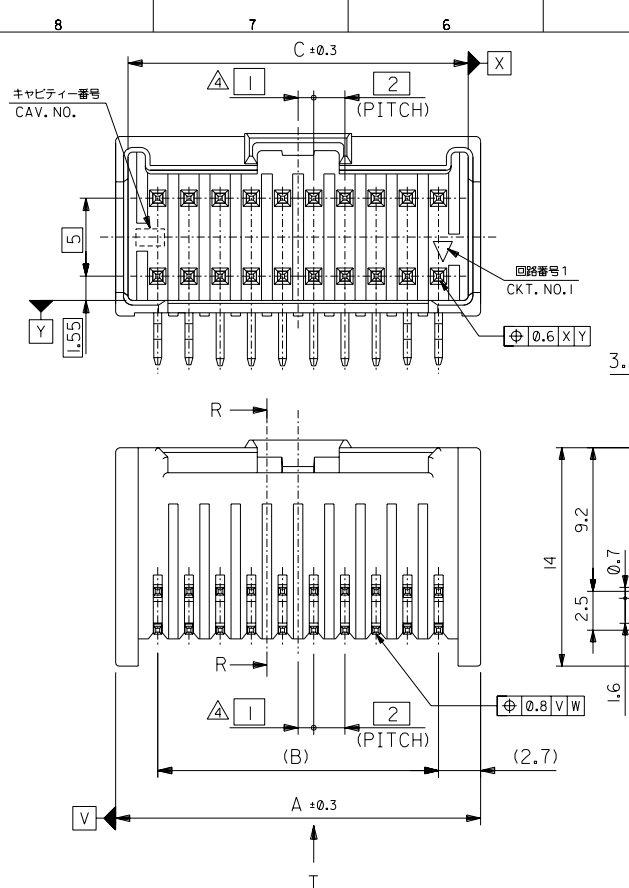


DWG. NO. SD-55959-003

DO NOT SCALE DRAWING



注記 NOTES

1. 材料 MATERIAL  
 PIN : 黄銅, 鍍メッキ  
 ハウジング : PBT (ガラス入り: 15%), UL94V-0  
 HOUSING : PBT(G.F.: 15%), UL94V-0
2. 適合相手 : 51353シリーズ  
 MATE WITH : 51353 SERIES
3. ソルダータールキンは、両端の8ピンのみとする。  
 KINK TO BE APPLIED FOR 8 PINS AT BOTH ENDS.

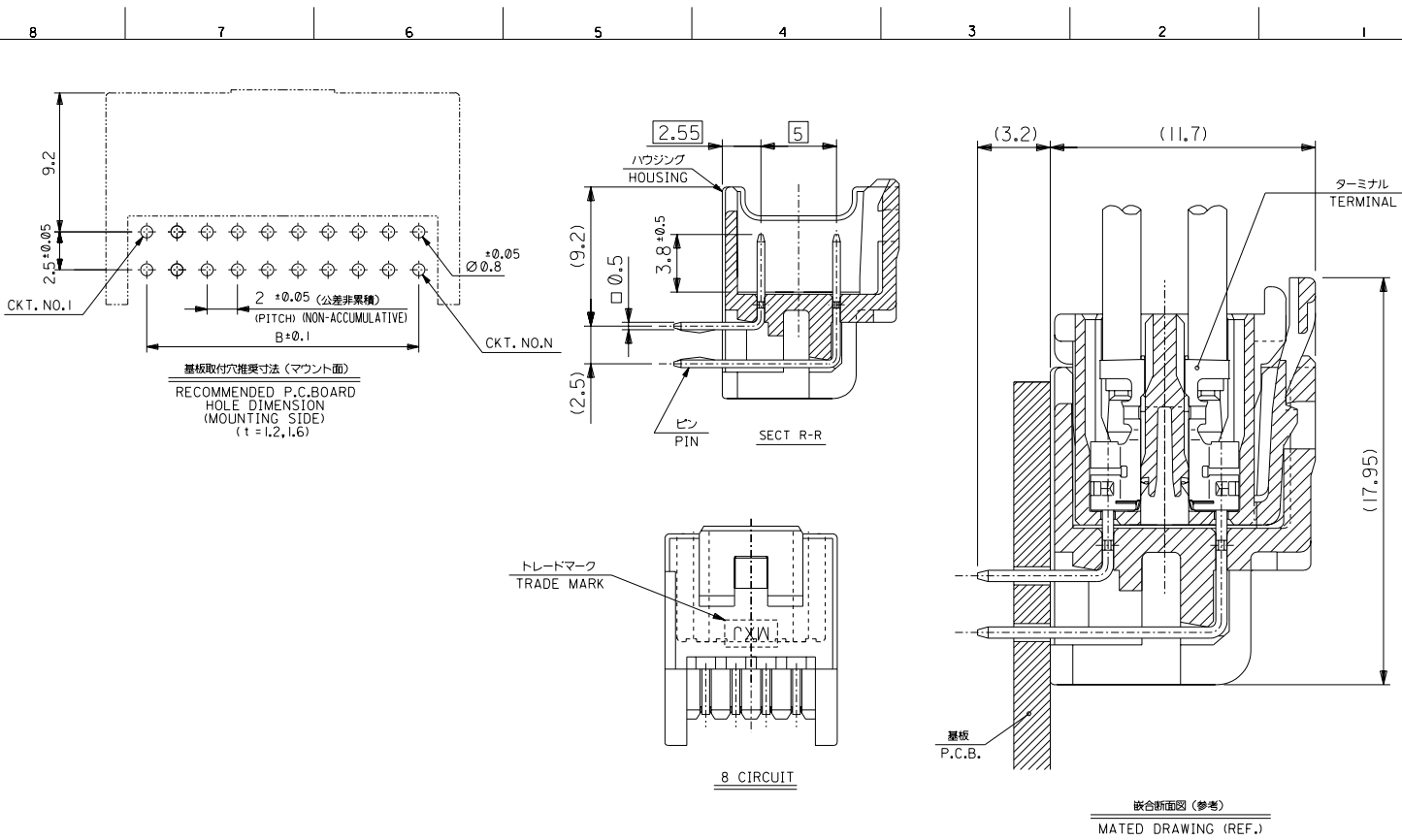
△ (全種数/2) = 偶数の場合に適用。  
 APPLY FOR (CIRCUIT/2)=EVEN  
 △ 製品番号 MATERIAL NO.  
 55959-\*\*\*3\*  
 極数 CIRCUIT SIZE 色 COLOR

ナチュラル (白) NATURAL (WHITE)	0
黒 BLACK	1
赤 RED	2
黄 YELLOW	3
青 BLUE	4
桃 PINK	5
緑 GREEN	6
茶 BROWN	7
橙 ORANGE	8
紫 VIOLET	9

41.8	38	43.4	55959-403*	40
39.8	36	41.4	-383*	38
37.8	34	39.4	-363*	36
35.8	32	37.4	-343*	34
33.8	30	35.4	-323*	32
31.8	28	33.4	-303*	30
29.8	26	31.4	-283*	28
27.8	24	29.4	-263*	26
25.8	22	27.4	-243*	24
23.8	20	25.4	-223*	22
21.8	18	23.4	-203*	20
19.8	16	21.4	-183*	18
17.8	14	19.4	-163*	16
15.8	12	17.4	-143*	14
13.8	10	15.4	-123*	12
11.8	8	13.4	-103*	10
9.8	6	11.4	55959-083*	8
C	B	A	△ MATERIAL NO. CKT.	

EC NO. DRWN: CHK: APPR:	EC NO. DRWN: CHK: APPR:	EC NO. DRWN: CHK: APPR:	REVISED EC NO. J2004-3728 DRWN: WADA '04/06/09 CHK: M.SASAO APPR: M.SASAO	REVISED EC NO. J2003-3290 DRWN: ITO '03/06/26 CHK: K.SAKAWA APPR: T.YAMAGUCHI	MATERIAL 材料 注記参照 SEE NOTES	GENERAL TOLERANCES: (UNLESS SPECIFIED) 一般公差	SCALE — 1/16" — DESIGN UNITS <input checked="" type="checkbox"/> mm <input type="checkbox"/> INCH	MODEL NO. 55959-***3*	THIRD ANGLE PROJECTION <input checked="" type="checkbox"/> THIRD ANGLE <input type="checkbox"/> FIRST ANGLE	TITLE: 2.0mm W-t-B DUAL CONN DIP PLUG HOUSING ASS'Y R/A (WITHOUT BOSS) -LEAD FREE-	SHT 1	REV OF 3
FINISH 仕上り //	WIRE RANGE 適用電線範囲 //	INS. RANGE 被覆外径 //	ANGLE 角度 +3°	CAD FILENAME 55959003.S01	MATERIAL NO. SEE CHART	DRAWING NO. SD-55959-003	THIS DRAWING CONTAINS INFORMATION THAT IS PROPRIETARY TO MOLEX INCORPORATED AND SHOULD NOT BE USED WITHOUT WRITTEN PERMISSION.	SIZE B	EN-02J(097) MXJ-54			

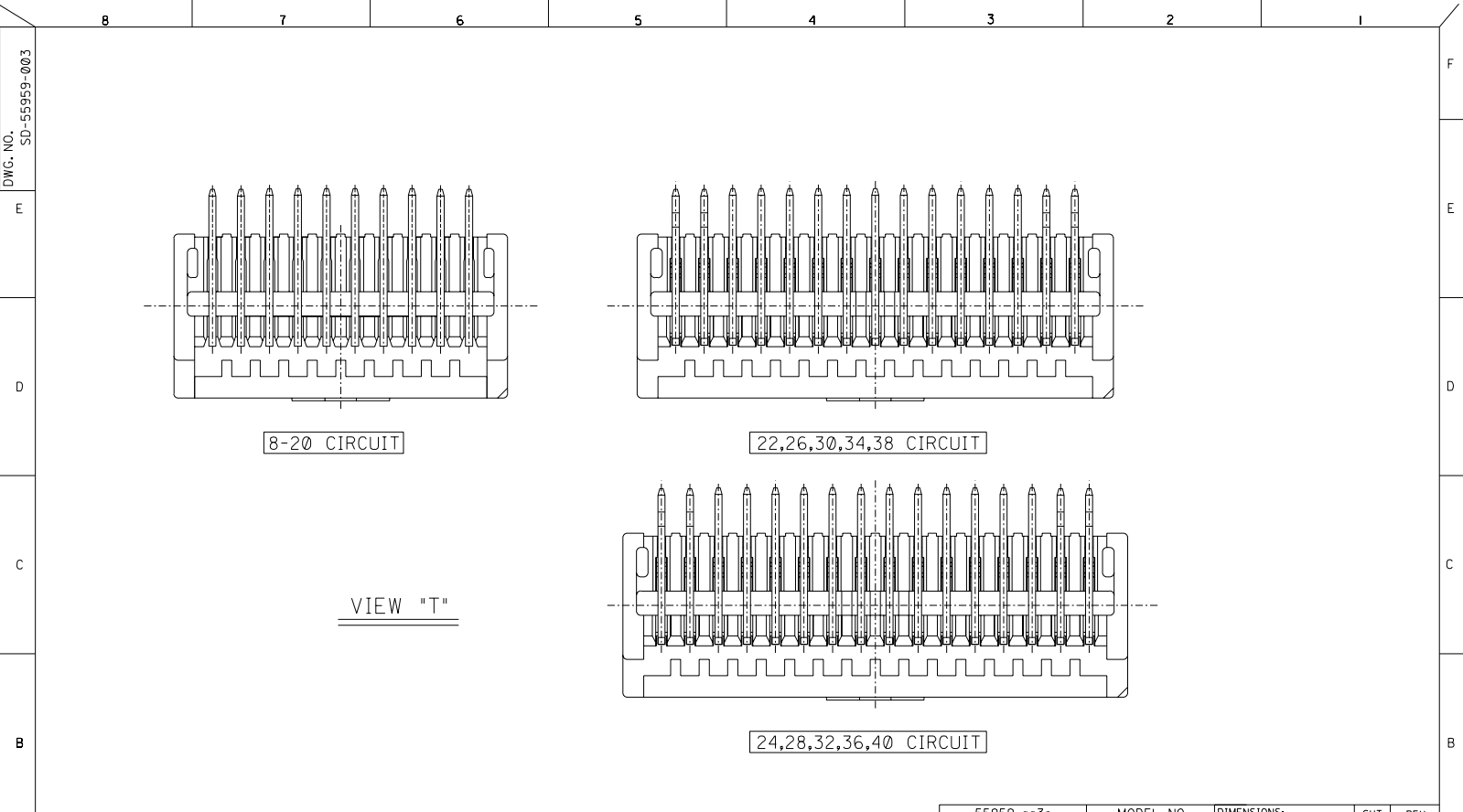
DWG. NO. SD-55959-003



DO NOT SCALE DRAWING

8	EC NO. DRWN: CHK'g: APPR:	7	EC NO. DRWN: CHK'g: APPR:	6	EC NO. DRWN: CHK'g: APPR:	5	MATERIAL 材料 注記参照 SEE NOTES	4	GENERAL TOLERANCES: (UNLESS SPECIFIED) 一般公差	3	55959-***3* SCALE DESIGN UNITS mm INCH	2	MODEL NO. THIRD ANGLE PROJECTION	DIMENSIONS: mm INCH mm ONLY	SHT REV REVISE ON CAD ONLY
	REVISED EC NO. J2004-3728 DRWN: Y. WADA '04/08 CHK: M. SASAO APPR: M. SASAO		REVISED EC NO. J2003-3290 DRWN: ITO '03/06/26 CHK: K. ASAKAWA APPR: T. YAMAGUCHI		FINISH 仕上げ //		10 UNDER 未満 +0.2		10 OVER 以上 30 UNDER 未満 +0.25		30 OVER 以上 +0.3		ANGLE 角度 +3°		
THIS DRAWING CONTAINS INFORMATION THAT IS PROPRIETARY TO MOLEX INCORPORATED AND SHOULD NOT BE USED WITHOUT WRITTEN PERMISSION.															
EN-02J(097) MXJ-54															

DWG. NO. SD-55959-003



DO NOT SCALE DRAWING		EC NO. J2004-3728 DRWN: Y. WADA CHK: M. SASAO APPR: M. SASAO		EC NO. J2003-3290 DRWN: N. ITO CHK: K. ASAKAWA APPR: T. YAMAGUCHI		MATERIAL 材料 注記参照 SEE NOTES		GENERAL TOLERANCES: (UNLESS SPECIFIED) 一般公差		55959-***3*		MODEL NO.		DIMENSIONS: mm <input type="checkbox"/> INCH <input type="checkbox"/> mm ONLY <input checked="" type="checkbox"/>		SHT REV 3 OF 3					
EC NO. J2004-3728 DRWN: Y. WADA CHK: M. SASAO APPR: M. SASAO		EC NO. J2003-3290 DRWN: N. ITO CHK: K. ASAKAWA APPR: T. YAMAGUCHI		FINISH 仕上げ //		WIRE RANGE 適用電線範囲 //		INS. RANGE 被覆外径 //		SCALE 1:1 DESIGN UNITS mm <input checked="" type="checkbox"/> INCH <input type="checkbox"/>		DRAWN BY & DATE N. ITO '02/02/24		THIRD ANGLE PROJECTION		TITLE: 2.0mm W-t-B DUAL CONN DIP PLUG HOUSING ASS'Y R/A (WITHOUT BOSS) -LEAD FREE-		REVISIONS CAD ONLY			
EC NO. J2004-3728 DRWN: Y. WADA CHK: M. SASAO APPR: M. SASAO		EC NO. J2003-3290 DRWN: N. ITO CHK: K. ASAKAWA APPR: T. YAMAGUCHI		WIRE RANGE 適用電線範囲 //		INS. RANGE 被覆外径 //		ANGLE 角度 +3°		CHECKED BY & DATE K. ASAKAWA '03/06/26		APPROVED BY & DATE T. YAMAGUCHI '03/06/26		CAD FILENAME 55959003.S03		MATERIAL NO. SEE CHART		DRAWING NO. SD-55959-003		SHEET NO. 3 OF 3	
EC NO. J2004-3728 DRWN: Y. WADA CHK: M. SASAO APPR: M. SASAO		EC NO. J2003-3290 DRWN: N. ITO CHK: K. ASAKAWA APPR: T. YAMAGUCHI		WIRE RANGE 適用電線範囲 //		INS. RANGE 被覆外径 //		ANGLE 角度 +3°		CAD FILENAME 55959003.S03		MATERIAL NO. SEE CHART		DRAWING NO. SD-55959-003		SHEET NO. 3 OF 3		SIZE B			
EC NO. J2004-3728 DRWN: Y. WADA CHK: M. SASAO APPR: M. SASAO		EC NO. J2003-3290 DRWN: N. ITO CHK: K. ASAKAWA APPR: T. YAMAGUCHI		WIRE RANGE 適用電線範囲 //		INS. RANGE 被覆外径 //		ANGLE 角度 +3°		CAD FILENAME 55959003.S03		MATERIAL NO. SEE CHART		DRAWING NO. SD-55959-003		SHEET NO. 3 OF 3		SIZE B			

EN-02J(097) MXJ-54