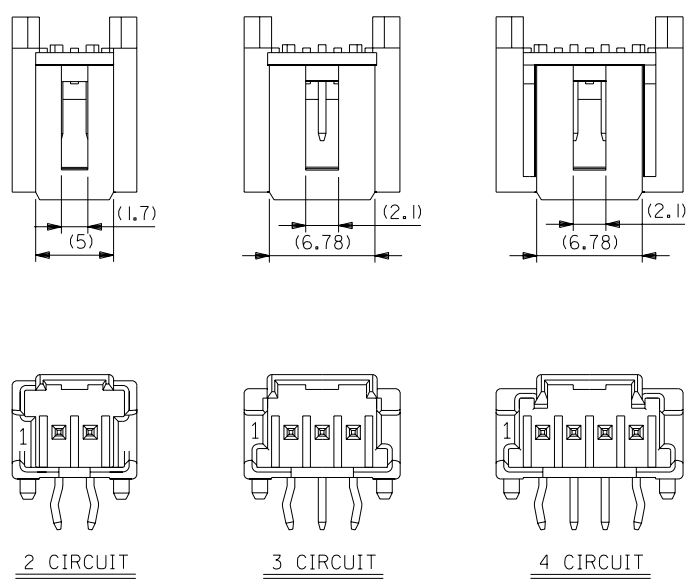


DWG. NO. SD-55935-005

8 7 6 5 4 3 2 1



無鉛
LEAD FREE

DO NOT SCALE DRAWING	84 NO. DRWN: CH/K APPR:	83 NO. DRWN: CH/K APPR:	REVISED 03/6/12 82 NO. J2003-3127 DRWN: N.ITO CHK: K.ASAKAWA APPR: T.YAMAGUCHI	REVISED 03/4/04 81 NO. J2003-2421 DRWN: N.ITO CHK: K.ASAKAWA APPR: T.YAMAGUCHI	RELEASED 02/5/15 80 NO. J2002-2827 DRWN: T.NIITSU CHK: K.ASAKAWA APPR: T.YAMAGUCHI	MATERIAL 材料	GENERAL TOLERANCES: (UNLESS SPECIFIED) 一般公差	SCALE DESIGN UNITS <input checked="" type="checkbox"/> mm <input type="checkbox"/> INCH	MODEL NO. : 55935-**** DIMENSIONS: <input checked="" type="checkbox"/> mm <input type="checkbox"/> INCH <input type="checkbox"/> mm ONLY	SHT REV REVISE ON CAD ONLY	
	FINISH 仕上り	WIRE RANGE 適用電線範囲	INS. RANGE 被覆外径	DRAWN BY & DATE T.NIITSU 02/5/15	CHECKED BY & DATE K.ASAKAWA 03/6/12	APPROVED BY & DATE T.YAMAGUCHI 03/6/12	CAD FILENAME SD-55935-005.S02	TITLE: 2.0 W/B SINGLE CONN. PLUG HOUSING ASS'Y R/A WITH BOSS	MOLEX INCORPORATED	MATERIAL NO. 55935-****	DRAWING NO. SD-55935-005

EN-02J(097) MXJ-54