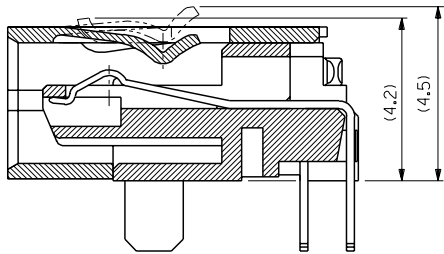
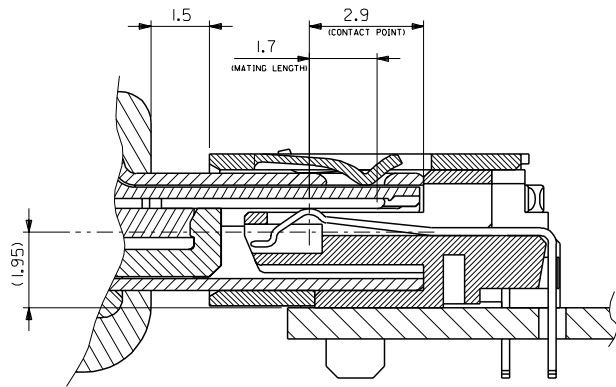


DWG. NO. SD-54819-008



SECTION



MATING

DO NOT SCALE DRAWING

#01 NO. DRWN: CHK'G: APPR:	#02 NO. DRWN: CHK'G: APPR:	#03 NO. DRWN: CHK'G: APPR:	#04 NO. DRWN: CHK'G: APPR:	#05 NO. DRWN: CHK'G: APPR:	#06 NO. DRWN: CHK'G: APPR:	#07 NO. DRWN: CHK'G: APPR:	#08 NO. DRWN: CHK'G: APPR:
-------------------------------------	-------------------------------------	-------------------------------------	-------------------------------------	-------------------------------------	-------------------------------------	-------------------------------------	-------------------------------------

MATERIAL 材料	SEE NOTES
FINISH 在上打	SEE NOTES
WIRE RANGE 適用電線範圍	#
INS. RANGE 被覆外径	#

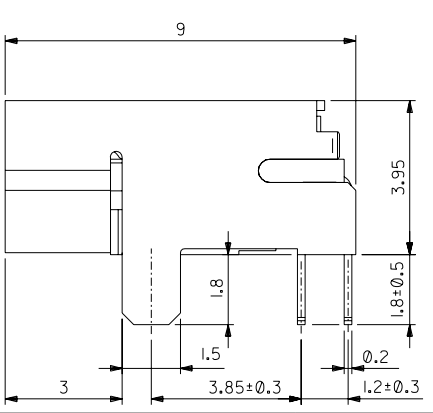
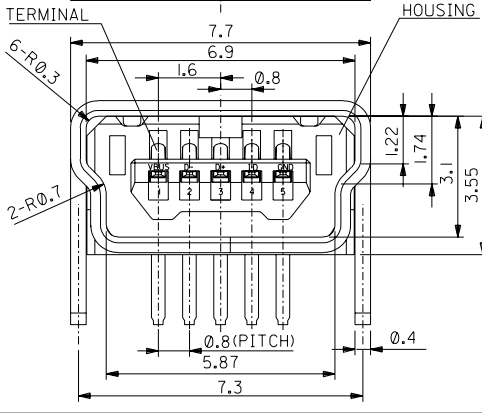
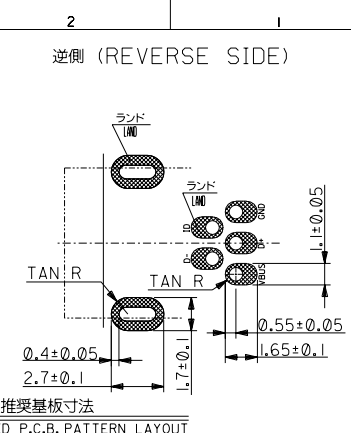
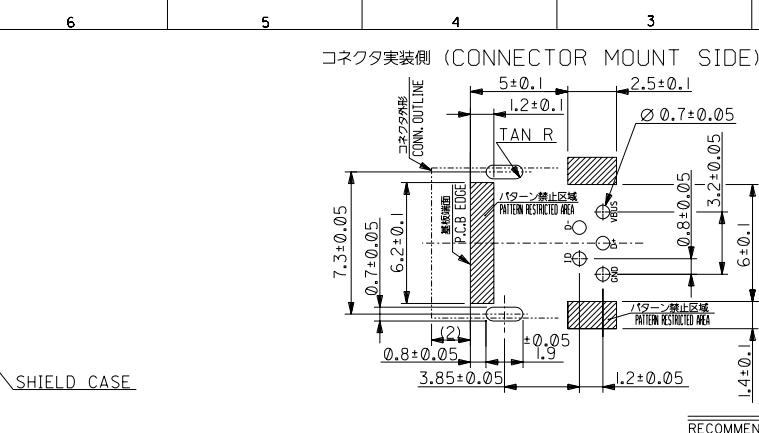
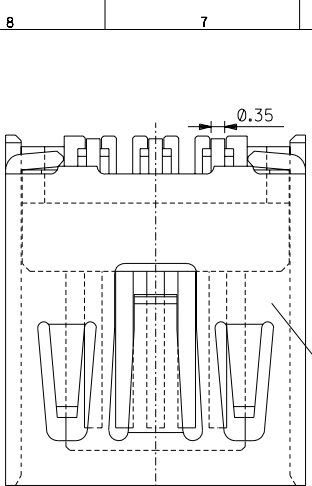
GENERAL TOLERANCES: (UNLESS SPECIFIED) 一般公差	SCALE 10 - 11 mm INCH	DESIGN UNITS mm INCH
10 UNDER 未満	+0.2	DRAWN BY & DATE <i>R. Takahashi</i> 00/5/17
10 OVER 以上	30 UNDER 未満	+0.25
30 OVER 以上		+0.3
ANGLE 角度		+3°

2-STEP ANGLE PROJECTION DIMENSIONS: <input type="checkbox"/> mm <input type="checkbox"/> INCH <input checked="" type="checkbox"/> mm ONLY BEVISE ON CAD ONLY	TITLE: USB SERIES MINI-B RECEPTACLE ASS'Y
MOLEX INCORPORATED CAD FILENAME SD-54819-008.S02	MATERIAL NO. 54819-0511

SHEET NO. 2	REV BEVISE ON CAD ONLY
SHEET NO. 2	SIZE B

EN-02J(097) MXJ-54

DWG. NO. SD-54819-026



RECOMMENDED P.C.B. PATTERN LAYOUT

- 注記 1. 材質
 NOTES MATERIAL
 ハウジング:ポリフタルアミド、ガラス充填、黒色、UL94V-0
 HOUSING:POLYPHTHAL AMIDE GLASS FILLED, BLACK, UL94V-0
 ターミナル:銅合金 (t=0.2)
 TERMINAL: COPPER ALLOY (t=0.2)
 シールドケース:銅合金 (t=0.4)
 SHIELD CASE: COPPER ALLOY (t=0.4)
2. ヌッキ仕様
 PLATING
 ターミナル
 TERMINAL
 接点部:金メッキ 0.76μm MIN.
 CONTACT AREA: GOLD 0.76MICRO METER MIN.
 半田付け部:錫メッキ 1.0μm MIN.
 SOLDER TAIL AREA: TIN 1.0MICRO METER MIN.
 下地部:ニッケルメッキ 1.0μm MIN.
 UNDER PLATING: NICKEL 1.0MICRO METER MIN.
 シールドケース
 SHIELD CASE
 : 錫メッキ 1.0μm MIN.
 : TIN 1.0MICRO METER MIN.
 下地部:ニッケルメッキ 1.0μm MIN.
 UNDER PLATING: NICKEL 1.0MICRO METER MIN.
3. 本製品は54819-0511の鉛フリー品である。
 THIS PRODUCT IS LEAD FREE OF 54819-0511.

54819-0519 MATERIAL NO.

DO NOT SCALE DRAWING	01 INO. DRWN: CH'K: APPR: 02 INO. DRWN: CH'K: APPR: 03 INO. DRWN: CH'K: APPR: 04 INO. DRWN: CH'K: APPR: 05 INO. DRWN: CH'K: APPR: 06 INO. DRWN: CH'K: APPR: 07 INO. DRWN: CH'K: APPR: 08 INO. DRWN: CH'K: APPR:
----------------------	--

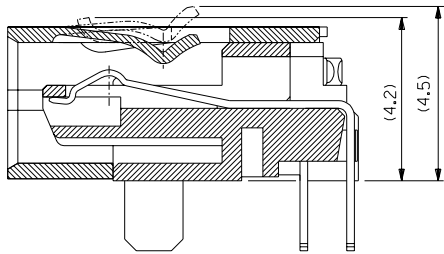
新編/作成 RELEASED 08 INO. DRWN: CH'K: APPR: 09 INO. DRWN: CH'K: APPR: 10 INO. DRWN: CH'K: APPR: 11 INO. DRWN: CH'K: APPR: 12 INO. DRWN: CH'K: APPR: 13 INO. DRWN: CH'K: APPR: 14 INO. DRWN: CH'K: APPR: 15 INO. DRWN: CH'K: APPR: 16 INO. DRWN: CH'K: APPR: 17 INO. DRWN: CH'K: APPR: 18 INO. DRWN: CH'K: APPR: 19 INO. DRWN: CH'K: APPR: 20 INO. DRWN: CH'K: APPR: 21 INO. DRWN: CH'K: APPR: 22 INO. DRWN: CH'K: APPR: 23 INO. DRWN: CH'K: APPR: 24 INO. DRWN: CH'K: APPR: 25 INO. DRWN: CH'K: APPR: 26 INO. DRWN: CH'K: APPR: 27 INO. DRWN: CH'K: APPR: 28 INO. DRWN: CH'K: APPR: 29 INO. DRWN: CH'K: APPR: 30 INO. DRWN: CH'K: APPR: 31 INO. DRWN: CH'K: APPR: 32 INO. DRWN: CH'K: APPR: 33 INO. DRWN: CH'K: APPR: 34 INO. DRWN: CH'K: APPR: 35 INO. DRWN: CH'K: APPR: 36 INO. DRWN: CH'K: APPR: 37 INO. DRWN: CH'K: APPR: 38 INO. DRWN: CH'K: APPR: 39 INO. DRWN: CH'K: APPR: 40 INO. DRWN: CH'K: APPR: 41 INO. DRWN: CH'K: APPR: 42 INO. DRWN: CH'K: APPR: 43 INO. DRWN: CH'K: APPR: 44 INO. DRWN: CH'K: APPR: 45 INO. DRWN: CH'K: APPR: 46 INO. DRWN: CH'K: APPR: 47 INO. DRWN: CH'K: APPR: 48 INO. DRWN: CH'K: APPR: 49 INO. DRWN: CH'K: APPR: 50 INO. DRWN: CH'K: APPR: 51 INO. DRWN: CH'K: APPR: 52 INO. DRWN: CH'K: APPR: 53 INO. DRWN: CH'K: APPR: 54 INO. DRWN: CH'K: APPR: 55 INO. DRWN: CH'K: APPR: 56 INO. DRWN: CH'K: APPR: 57 INO. DRWN: CH'K: APPR: 58 INO. DRWN: CH'K: APPR: 59 INO. DRWN: CH'K: APPR: 60 INO. DRWN: CH'K: APPR: 61 INO. DRWN: CH'K: APPR: 62 INO. DRWN: CH'K: APPR: 63 INO. DRWN: CH'K: APPR: 64 INO. DRWN: CH'K: APPR: 65 INO. DRWN: CH'K: APPR: 66 INO. DRWN: CH'K: APPR: 67 INO. DRWN: CH'K: APPR: 68 INO. DRWN: CH'K: APPR: 69 INO. DRWN: CH'K: APPR: 70 INO. DRWN: CH'K: APPR: 71 INO. DRWN: CH'K: APPR: 72 INO. DRWN: CH'K: APPR: 73 INO. DRWN: CH'K: APPR: 74 INO. DRWN: CH'K: APPR: 75 INO. DRWN: CH'K: APPR: 76 INO. DRWN: CH'K: APPR: 77 INO. DRWN: CH'K: APPR: 78 INO. DRWN: CH'K: APPR: 79 INO. DRWN: CH'K: APPR: 80 INO. DRWN: CH'K: APPR: 81 INO. DRWN: CH'K: APPR: 82 INO. DRWN: CH'K: APPR: 83 INO. DRWN: CH'K: APPR: 84 INO. DRWN: CH'K: APPR: 85 INO. DRWN: CH'K: APPR: 86 INO. DRWN: CH'K: APPR: 87 INO. DRWN: CH'K: APPR: 88 INO. DRWN: CH'K: APPR: 89 INO. DRWN: CH'K: APPR: 90 INO. DRWN: CH'K: APPR: 91 INO. DRWN: CH'K: APPR: 92 INO. DRWN: CH'K: APPR: 93 INO. DRWN: CH'K: APPR: 94 INO. DRWN: CH'K: APPR: 95 INO. DRWN: CH'K: APPR: 96 INO. DRWN: CH'K: APPR: 97 INO. DRWN: CH'K: APPR: 98 INO. DRWN: CH'K: APPR: 99 INO. DRWN: CH'K: APPR: 00 INO. DRWN: CH'K: APPR:	MATERIAL 材料 SEE NOTES FINISH 仕上り SEE NOTES WIRE RANGE 適用電線範囲 INS. RANGE 被覆外径
---	---

GENERAL TOLERANCES: (UNLESS SPECIFIED) 一般公差	SCALE 10 : 1	DESIGN UNITS ㎜ INCH
10 UNDER 未満	+0.2	DRAWN BY & DATE M.NAGATA '04/04/27
10 OVER 以上 30 UNDER 未満	+0.25	CHECKED BY & DATE K.TOJO '04/04/27
30 OVER 以上	+0.3	APPROVED BY & DATE M.SASAO '04/04/27
ANGLE 角度	+3°	CAD FILENAME SD-54819-026.S01

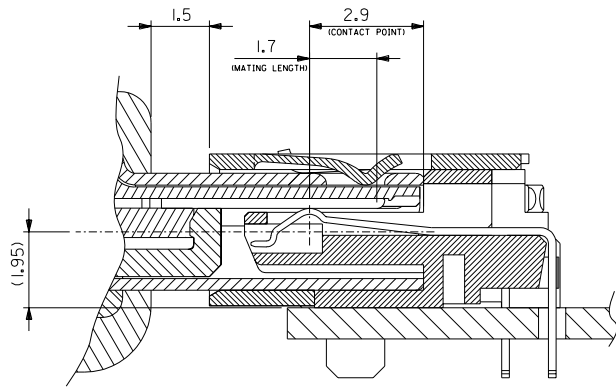
MODEL NO. 54819-0519	DIMENSIONS: 20° PROJECTION	SHT 1	REV 2
TITLE: USB SERIES MINI-B RECEPTACLE ASS'Y -LEAD FREE-			
MOLEX INCORPORATED			
MATERIAL NO. SEE CHART	DRAWING NO. SD-54819-026	SHEET NO. 1 OF 2	SIZE B
7885 DRAWING CONTAINS INFORMATION THAT IS PROPRIETARY TO MOLEX INCORPORATED AND SHOULD NOT BE USED WITHOUT WRITTEN PERMISSION.			

EN-02J(097) MXJ-54

DWG. NO. SD-54819-026



SECTION



MATING

DO NOT SCALE DRAWING

8	7	6	5	4	3	2	1
84 INC. DRWN: CHK'G: APPR:	83 INC. DRWN: CHK'G: APPR:	82 INC. DRWN: CHK'G: APPR:	81 INC. DRWN: CHK'G: APPR:	80 INC. DRWN: CHK'G: APPR:	REV DESCRIPTION	MATERIAL 材料 SEE NOTES	GENERAL TOLERANCES: (UNLESS SPECIFIED) 一般公差
					FINISH 作上寸 SEE NOTES	WIRE RANGE 適用電線範圍 #	INS. RANGE 被覆外径 #

MODEL NO. 54819-026	DESIGN UNITS <input checked="" type="checkbox"/> mm <input type="checkbox"/> INCH	DIMENSIONS: <input type="checkbox"/> mm <input type="checkbox"/> INCH <input checked="" type="checkbox"/> mm ONLY	SHT 2 OF 2	REV 01
------------------------	--	--	---------------	-----------

SCALE 10 : 1	DRAWN BY & DATE M.NAGATA '04/04/28	CHECKED BY & DATE K.TOJO '04/04/28	APPROVED BY & DATE M.SASAO '04/04/28	CAD FILENAME SD-54819-026.S02
-----------------	---------------------------------------	---------------------------------------	---	----------------------------------

TITLE: USB SERIES MINI-B RECEPTACLE ASS'Y -LEAD FREE-	MOLEX INCORPORATED
---	--------------------

MATERIAL NO. SEE CHART	DRAWING NO. SD-54819-026	SHEET NO. 2 OF 2	SIZE B
---------------------------	-----------------------------	---------------------	-----------

EN-02J(097) MXJ-54