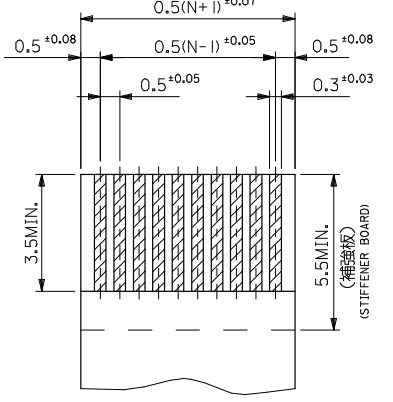
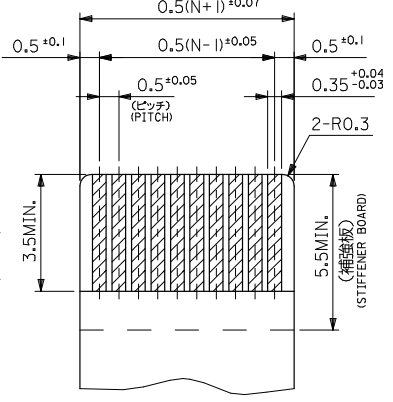
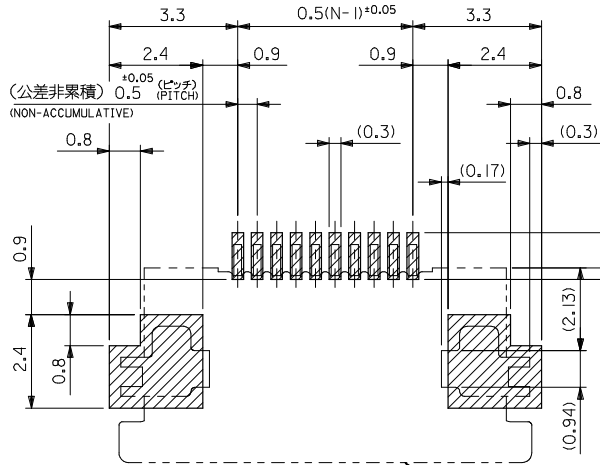


REVISED EC NO: J2008-4308 DRAWN BY: MNABEI CHKD: THARYAMA APPR: NUKITA	DESCRIPTION 2008/06/27 2008/06/30 2008/06/30	GENERAL TOLERANCES (UNLESS SPECIFIED)		DIMENSION STYLE MM ONLY		SCALE ---	54104-xx29	MODEL NO.
		10 UNDER	±0.2	DRAWN BY MNABEI	DATE '04/07/09	TITLE 0.5 FPC CONN. ZIF SMT R/A UPPER CONTACT -LEAD FREE-	DESIGN UNITS METRIC	THIRD ANGLE PROJECTION
		10 OVER 30 UNDER	±0.25	CHECKED BY KTOJO	DATE '04/07/09	MOLEX INCORPORATED	DOCUMENT NO. SD-54104-077	SHEET NO. 1 OF 2
		30 OVER	±0.3	APPROVED BY NUKITA	DATE '04/07/09			
ANGULAR ±3° DRAFT WHERE APPLICABLE MUST REMAIN WITHIN DIMENSIONS		MATERIAL NO. SEE SHEET 2 OF 2	THIS DRAWING CONTAINS INFORMATION THAT IS PROPRIETARY TO MOLEX INCORPORATED AND SHOULD NOT BE USED WITHOUT WRITTEN PERMISSION					

10 9 8 7 6 5 4 3 2 1



適合FPC推奨寸法  
APPLICABLE FPC  
RECOMMENDED DIMENSION  
(仕上がり厚さ: 0.3±0.03)  
(THICKNESS: 0.3±0.03)

適合FFC推奨寸法  
APPLICABLE FFC  
RECOMMENDED DIMENSION  
(仕上がり厚さ: 0.3±0.03)  
(THICKNESS: 0.3±0.03)

金メッキFPC/FFCについて: 打抜き方向は導体側から補強板側を推奨いたします。  
RECOMMENDED PUNCHER DIRECTION: FROM CONDUCTOR SIDE TO STIFFENER BOARD SIDE.

参考基板レイアウト  
RECOMMENDED P.C.B. BOARD  
PATTERN DIMENSION (REF.)  
(マウント面)  
(MOUNTING SIDE)

コネクタ位置  
CONNECTOR POSITION

注記 NOTES

- I. 使用材料 MATERIAL
- ハウジング : 46ナイロン, UL94V-0  
HOUSING : 46NYLON
  - アクチュエータ : PPA, UL94V-0  
ACTUATOR
  - ターミナル : リン青銅 (t=0.2)  
TERMINAL : NICKEL UNDER: 10µm MIN.  
金メッキ: 0.1µm MIN.  
PHOSPHOR BRONZE  
GOLD 0.1µm MIN.  
OVER NICKEL 10µm MIN.  
PLATING
  - 金具 : リン青銅, 鍍メッキ (t=0.2)  
FITTING NAIL : PHOS-BRO, TIN-PLATED

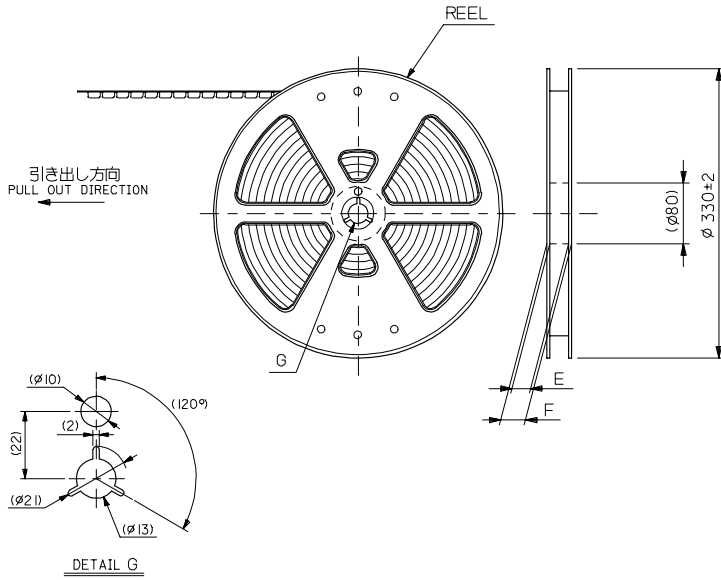
2. エンボステップ梱包時は、アクチュエータがロックした状態とする。  
IN THE PACKAGE, ACTUATOR OF PART NO.54104-\*\*\*29 SHOULD BE LOCKED.
- △ ソルダータール半田付け面のズレ量、及び金具半田付け面のズレ量は、基準面H  
に対し上方向 0.1 MAX. 下方向 0.15 MAX.とし、  
平坦度は0.1 MAX.とする。  
MISALIGNMENT OF SOLDER TAILS AND FITTINGAILS FROM H  
UPPER DIRECTION: 0.1 MAX., LOWER DIRECTION: 0.15 MAX.  
COPLANARITY 0.1 MAX.
- △ 偶数極に適用。  
APPLY FOR EVEN CIRCUIT.
- △ パターンはくり止め用金具  
FITTING NAIL FOR PREVENTION  
OF PEELING  
OF P.C.B. PATTERN.
6. 本製品は 54104-\*\*\*39 のターミナル  
部分金メッキ品である。

30.5	29.3	25.65	24.5	54104-5031	54104-5029	50
28.5	27.3	23.65	22.5	54104-4631	54104-4629	46
28.0	26.8	23.15	22.0	54104-4531	54104-4529	45
27.5	26.3	22.65	21.5	54104-4431	54104-4429	44
27.0	25.8	22.15	21.0	54104-4331	54104-4329	43
25.5	24.3	20.65	19.5	54104-4031	54104-4029	40
24.5	23.3	19.65	18.5	54104-3831	54104-3829	38
23.5	22.3	18.65	17.5	54104-3631	54104-3629	36
23.0	21.8	18.15	17.0	54104-3531	54104-3529	35
22.5	21.3	17.65	16.5	54104-3431	54104-3429	34
22.0	20.8	17.15	16.0	54104-3331	54104-3329	33
21.5	20.3	16.65	15.5	54104-3231	54104-3229	32
20.5	19.3	15.65	14.5	54104-3031	54104-3029	30

D	C	B	A	EMBOSSED TAPE ORDER No. オーダー番号	MATERIAL NO.	CKT.
---	---	---	---	-----------------------------------	--------------	------

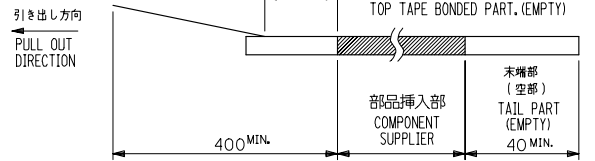
REVISED EC NO: J2008-4308 DRAWN BY: MNABEI 2008/06/27 CHECKED BY: CHYKO:THARYAMA 2008/06/30 APPROVED BY: APRR:NIKITA 2008/06/30	GENERAL TOLERANCES (UNLESS SPECIFIED)		DIMENSION STYLE MM ONLY		SCALE ---	DESIGN UNITS METRIC	THIRD ANGLE PROJECTION
	10 UNDER	±0.2	DRAWN BY MNABEI	DATE '04/07/09	TITLE 0.5 FPC CONN. ZIF SMT R/A UPPER CONTACT -LEAD FREE-		
	10 OVER 30 UNDER	±0.25	CHECKED BY KTOJO	DATE '04/07/09	MOLEX INCORPORATED		
	30 OVER	±0.3	APPROVED BY NIKITA	DATE '04/07/09	DOCUMENT NO. SD-54104-077	SHEET NO. 2 OF 2	
	ANGULAR ±3°	MATERIAL NO. SEE TABLE		THIS DRAWING CONTAINS INFORMATION THAT IS PROPRIETARY TO MOLEX INCORPORATED AND SHOULD NOT BE USED WITHOUT WRITTEN PERMISSION			
	DRAFT WHERE APPLICABLE MUST REMAIN WITHIN DIMENSIONS		SIZE A3				

10 9 8 7 6 5 4 3 2 1



NOTES

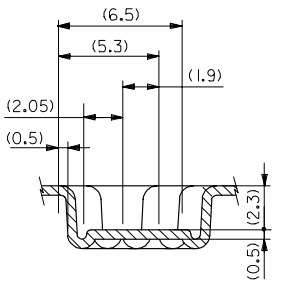
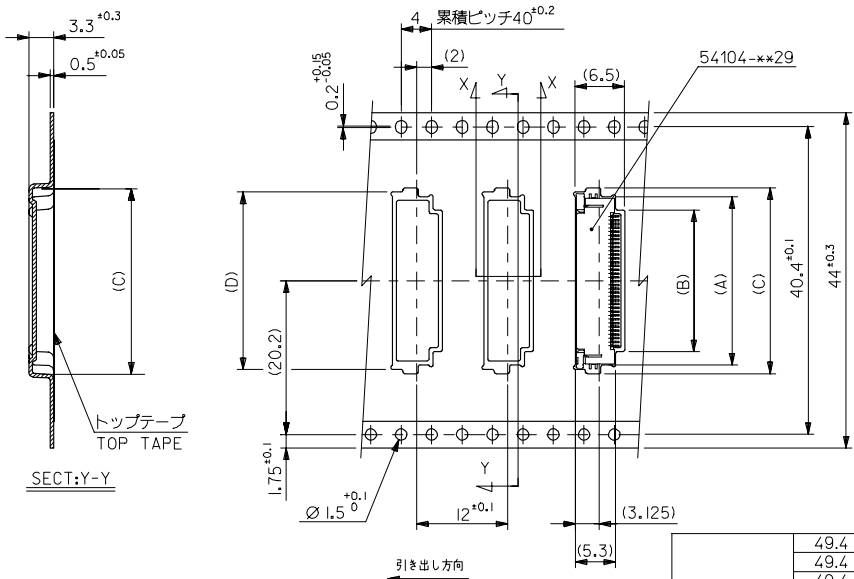
- 梱包数量: 1500個/リール  
NUMBER OF CONNECTORS: 1500PCS/REEL
- リードテープ長さ LEAD TAPE LENGTH  
20PCS. MIN. トップテープ接着部 (空エンボス)  
TOP TAPE BONDED PART. (EMPTY)



- 材料 (MATERIAL)  
キャリアテープ (CARRIER TAPE): ポリプロピレン (POLYPROPYLENE)  
トップテープ (TOP TAPE): PET, PE, PEF  
リール (REEL): ポリスチレン (POLYSTYRENE)
- 本製品は 54104-\*\*-\*\*96 のターミナル部分全メッキ品である。

REVISED EC NO.: J2007-2009 DRAWN: YAMADA01 2007/01/23 CHKD: KTOYODA 2007/01/25 APPR: NUKITA 2007/01/25	GENERAL TOLERANCES (UNLESS SPECIFIED)		DIMENSION STYLE MM ONLY		SCALE 2:1	DESIGN UNITS METRIC	THIRD ANGLE PROJECTION
	10 UNDER	± 0.2	DRAWN BY MNABE I	DATE '04/07/09	TITLE EMBOSSD TAPE PACKAGE FOR 54104-**-**29 -LEAD FREE-		
	10 OVER 30 UNDER	± 0.25	CHECKED BY KTOJO	DATE '04/07/09			
	30 OVER	± 0.3	APPROVED BY NUKITA	DATE '04/07/09			
ANGULAR	± 3 °	DRAFT WHERE APPLICABLE MUST REMAIN WITHIN DIMENSIONS		MATERIAL NO. SEE CHART	DOCUMENT NO. SD-54104-078	SHEET NO. 1 OF 2	
SIZE A3		THIS DRAWING CONTAINS INFORMATION THAT IS PROPRIETARY TO MOLEX INCORPORATED AND SHOULD NOT BE USED WITHOUT WRITTEN PERMISSION					

10 9 8 7 6 5 4 3 2 1



44	49.4	45.4	30.8	31.9	26.1	29.6	54104-5031	50
	49.4	45.4	28.8	29.9	24.1	27.6	54104-4631	46
	49.4	45.4	28.3	29.4	23.6	27.1	54104-4531	45
	49.4	45.4	27.8	28.9	23.1	26.6	54104-4431	44
	49.4	45.4	27.3	28.4	22.6	26.1	54104-4331	43
	49.4	45.4	25.8	26.9	21.1	24.6	54104-4031	40
	49.4	45.4	24.8	25.9	20.1	23.6	54104-3831	38
	49.4	45.4	23.8	24.9	19.1	22.6	54104-3631	36
	49.4	45.4	23.3	24.4	18.6	22.1	54104-3531	35
	49.4	45.4	22.8	23.9	18.1	21.6	54104-3431	34
	49.4	45.4	22.3	23.4	17.6	21.1	54104-3331	33
	49.4	45.4	21.8	22.9	17.1	20.6	54104-3231	32
	49.4	45.4	20.8	21.9	16.1	19.6	54104-3031	30
キャリアテープ幅 CARRIER TAPE WIDTH	F	E	D	C	B	A	MATERIAL NO.	CKT.

REVISED EC NO: J2007-2009 DRAWN: YAMADA 2007/01/23 CHK: KATOYODA 2007/01/25 APP: NUKITA 2007/01/25	GENERAL TOLERANCES (UNLESS SPECIFIED)	DIMENSION STYLE MM ONLY	SCALE 2:1	DESIGN UNITS METRIC	THIRD ANGLE PROJECTION
	10 UNDER ±0.2	DRAWN BY MNABE I	DATE '04/07/09	TITLE EMBOSSD TAPE PACKAGE FOR 54104-xx29 -LEAD FREE-	
	10 OVER 30 UNDER ±0.25	CHECKED BY KTOJO	DATE '04/07/09	MOLEX INCORPORATED	
	30 OVER ±0.3	APPROVED BY NUKITA	DATE '04/07/09	MATERIAL NO. SD-54104-078	SHEET NO. 2 OF 2
	ANGULAR ±3 °	DRAFT WHERE APPLICABLE MUST REMAIN WITHIN DIMENSIONS		SEE CHART	
SIZE A3		THIS DRAWING CONTAINS INFORMATION THAT IS PROPRIETARY TO MOLEX INCORPORATED AND SHOULD NOT BE USED WITHOUT WRITTEN PERMISSION			