

10 9 8 7 6 5 4 3 2 1

F

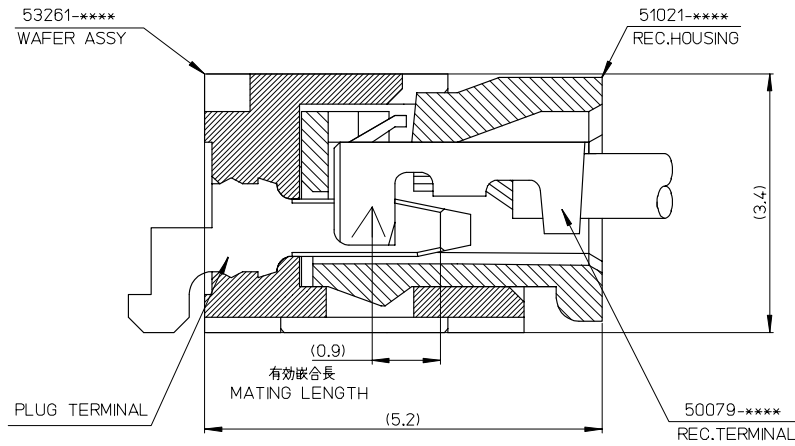
E

D

C

B

A



53261-****	WAFER ASSY	MODEL NO./MATERIAL NO.
50079-****	TERMINAL	
51021-****	HOUSING	

RELEASED EC NO: J2006-2426 DRWN: YAOYAGI CHKD: YMAEDA APPR: NUKITA	GENERAL TOLERANCES (UNLESS SPECIFIED)		DIMENSION STYLE MM ONLY		SCALE ---	DESIGN UNITS METRIC	THIRD ANGLE PROJECTION
	10 UNDER	± ---	DRAWN BY Y. AOYAGI	DATE 2006/01/30	TITLE 1.25 W-T-O-B CONN. 51021,53261 MATING CROSS SECTION		
	10 OVER 30 UNDER	± ---	CHECKED BY Y. MAEDA	DATE 2006/01/30	MOLEX INCORPORATED		
	30 OVER	± ---	APPROVED BY N. UKITA	DATE 2006/01/30	DOCUMENT NO. SD-51021-002		
	ANGULAR	± --- °	MATERIAL NO. SEE CHART		SHEET NO. 1 OF 1		
0	DRAFT WHERE APPLICABLE MUST REMAIN WITHIN DIMENSIONS		SIZE A3		THIS DRAWING CONTAINS INFORMATION THAT IS PROPRIETARY TO MOLEX INCORPORATED AND SHOULD NOT BE USED WITHOUT WRITTEN PERMISSION		

fb\_frame\_A3\_1\_ME\_S  
Rev. D 2004/04/02

9

8

7

6

5

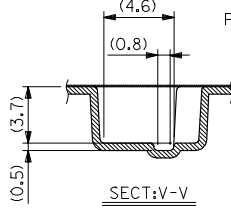
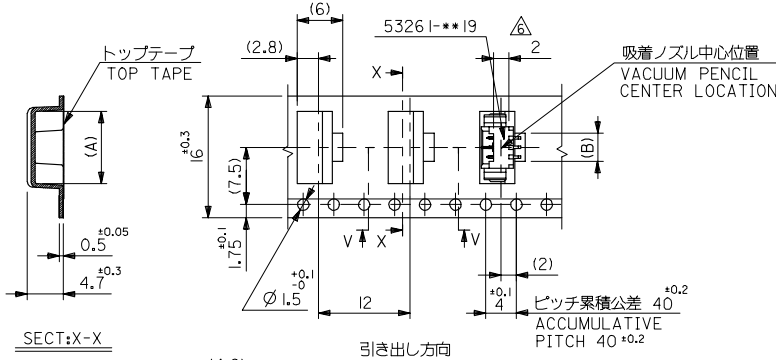
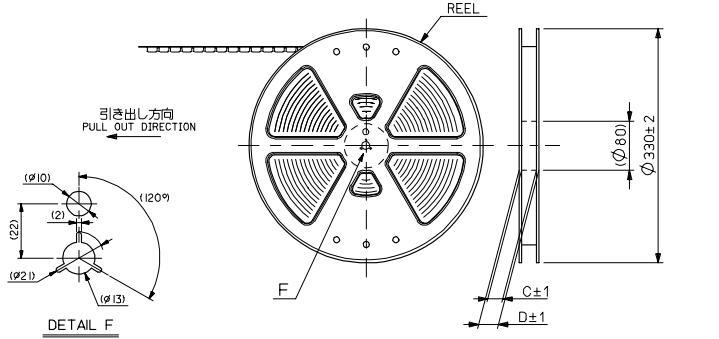
4

3

2

EN-02JA(021)

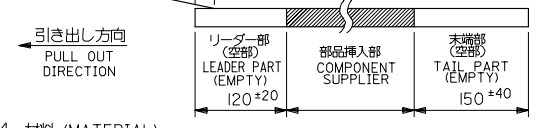
10 9 8 7 6 5 4 3 2 1



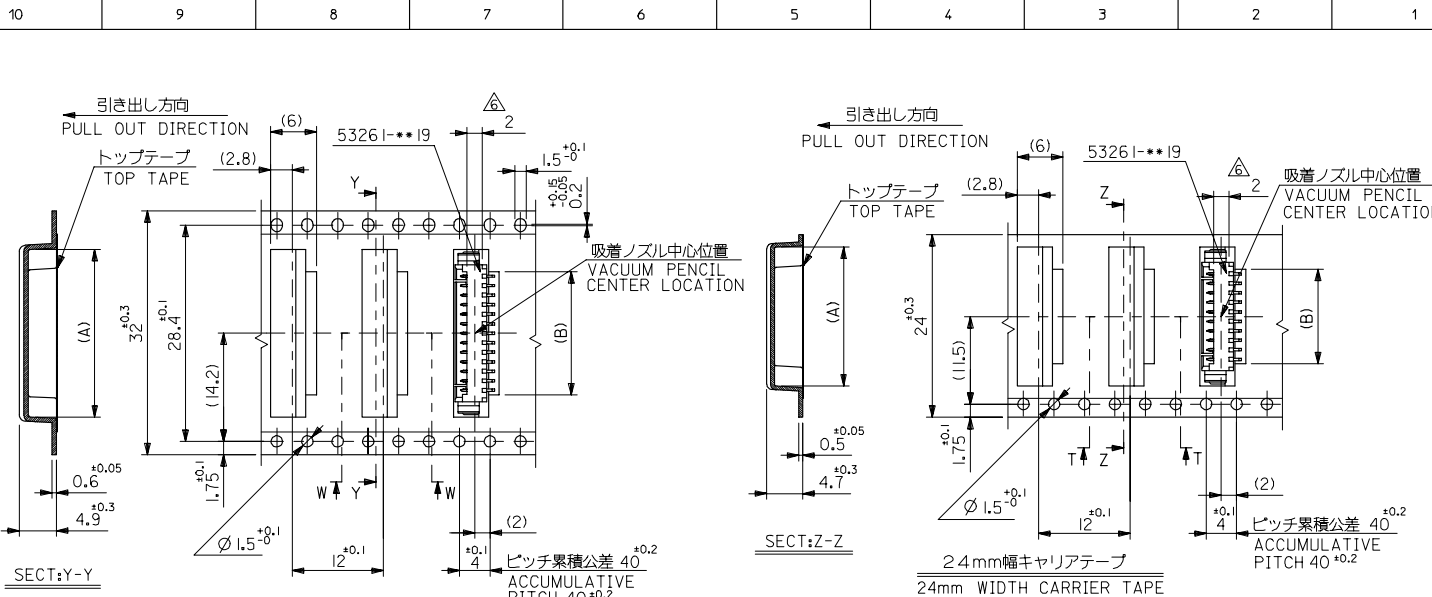
16mm幅キャリアテープ  
16mm WIDTH CARRIER TAPE

注記  
NOTES

- 53261-\*\*\*19 の詳細寸法については図面 SD-53261-024 を参照下さい。  
RE DETAILED DIMENSIONS, SEE SD-53261-024
- 梱包数量: 1000個/リール  
NUMBER OF CONNECTOR: 1000PCS/REEL
- リードテープ長さ LEAD TAPE LENGTH  
トップテープリーダ部 TOP TAPE LEADER PART 175<sup>+25</sup>  
トップテープ未接着部 TOP TAPE NON-BONDED PART 25<sup>+5</sup>
- 材料 (MATERIAL)  
キャリアテープ (CARRIER TAPE): ポリプロピレン (POLYPROPYLENE)  
トップテープ (TOP TAPE): PET, PE, PEF  
リール (REEL): ポリスチレン (P.S) <リサイクル材含む>  
POLYSTYRENE (PS) <RECYCLE MATERIAL CONTAINED>
- コネクタ、ハウジング平面部  
CONNECTOR, HOUSING FLAT AREA
- 本製品は 53261-\*\*\*90 の鉛フリー品である。  
THIS PRODUCT IS LEAD FREE OF 53261-\*\*\*90
- ELV及びRoHS適合品  
ELV AND ROHS COMPLIANT

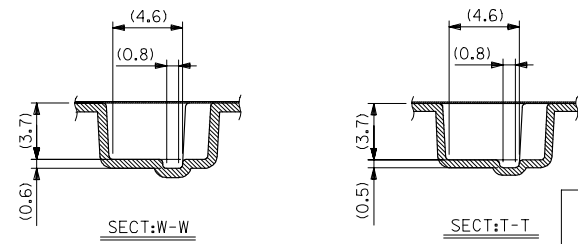


REVISED	EC NO: J2008-0056	2007/07/31	2007/07/31	2007/08/10	DESCRIPTION	MODEL NO. 53261-***71	16	21.4	17.4	3.7	9.5	53261-0371	3
DRW:KSAIT001	CHKC:THRUANA	APPR:NIKIITA	GENERAL TOLERANCES (UNLESS SPECIFIED)	DIMENSION STYLE	MM ONLY	キャリアテープ幅 CARRIER TAPE WIDTH	D	C	B	A	MATERIAL. NO.	種数 CKT.	
10 UNDER	±0.2	H.SHIMABUKUR	'04/02/06	DRAWN BY	DATE	SCALE	---	DESIGN UNITS	METRIC	THIRD ANGLE PROJECTION	1.25 W/B CONN WAFER ASSY FOR SMT EMBSTP PKG		
10 OVER 30 UNDER	±0.25	CHECKED BY	K.TOJO	'04/02/06	DATE	TITLE							
30 OVER	±0.3	APPROVED BY	M.SASAO	'04/02/06	DATE	MOLEX INCORPORATED							
ANGULAR	±3 °	MATERIAL NO.	SEE CHART	DOCUMENT NO.	SD-53261-023	SHEET NO.	1 OF 3						
DRAFT WHERE APPLICABLE MUST REMAIN WITHIN DIMENSIONS		SIZE	A3	THIS DRAWING CONTAINS INFORMATION THAT IS PROPRIETARY TO MOLEX INCORPORATED AND SHOULD NOT BE USED WITHOUT WRITTEN PERMISSION									



32mm幅キャリアテープ  
32mm WIDTH CARRIER TAPE

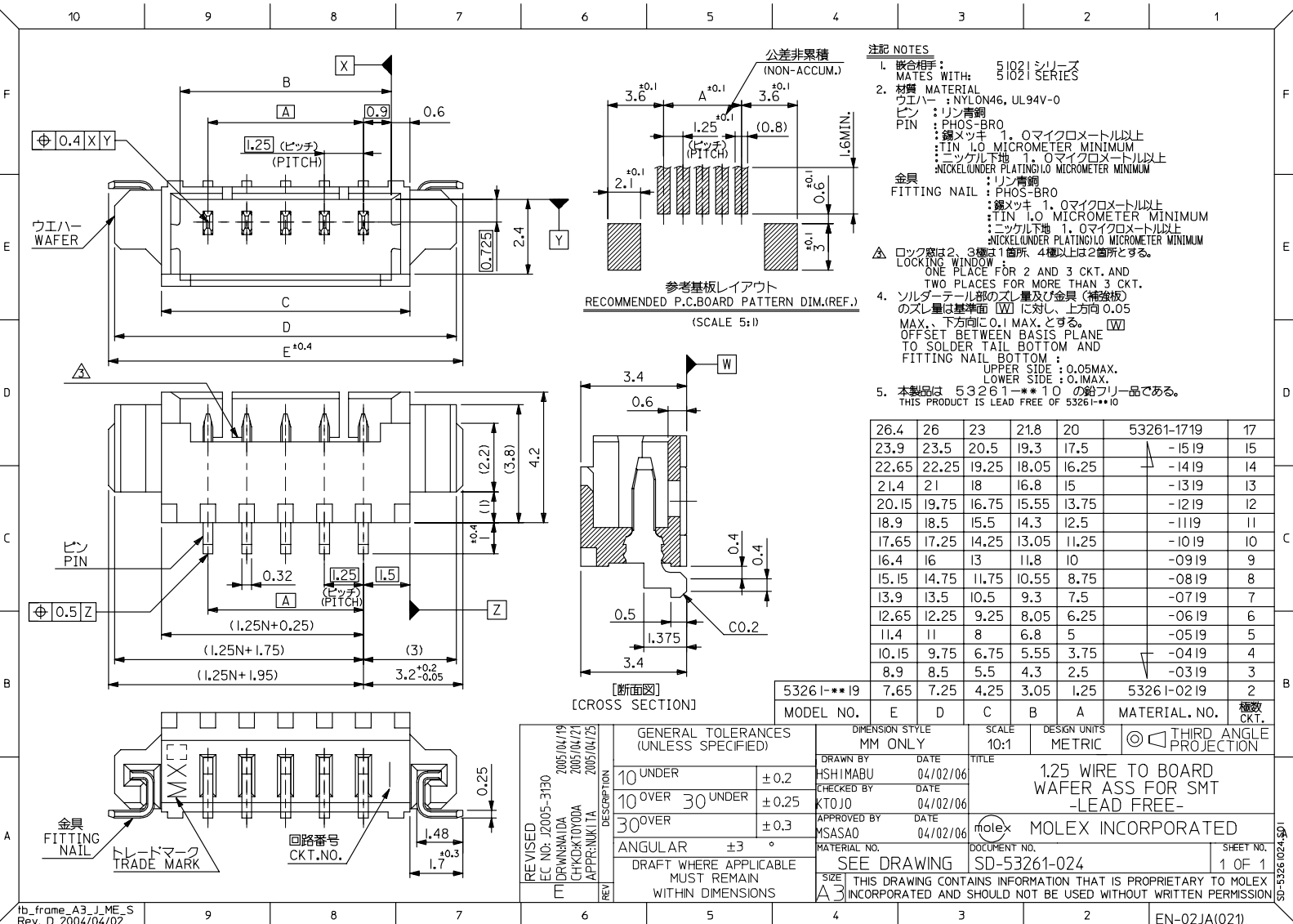
24mm幅キャリアテープ  
24mm WIDTH CARRIER TAPE



32	37.4	33.4	16.2	22	53261-1371	I3
24	29.4	25.4	14.95	20.75	-1271	I2
			13.7	19.5	-1171	II
			12.45	18.25	-1071	10
			11.2	17	-0971	9
			9.95	15.75	-0871	8
			8.7	14.5	-0771	7
			7.45	13.25	-0671	6
			6.2	12	-0571	5
4.95	10.75	53261-0471	4			

MODEL NO.	53261-xx71	キャリアテープ幅 CARRIER TAPE WIDTH	D	C	B	A	MATERIAL NO.	極数 CKT.
GENERAL TOLERANCES (UNLESS SPECIFIED)		DIMENSION STYLE MM ONLY		SCALE ---	DESIGN UNITS METRIC		THIRD ANGLE PROJECTION	
10 UNDER	±0.2	DRAWN BY H.SHIMABUKUR		DATE '04/02/06		TITLE 1.25 W/B CONN WAFER ASSY FOR SMT EMBSTP PKG		
10 OVER 30 UNDER	±0.25	CHECKED BY K.TOJO		DATE '04/02/06		MOLEX INCORPORATED		
30 OVER	±0.3	APPROVED BY M.SASAO		DATE '04/02/06		MATERIAL NO.		
ANGULAR	±3 °	DRAFT WHERE APPLICABLE MUST REMAIN WITHIN DIMENSIONS		SEE CHART		DOCUMENT NO. SD-53261-023		SHEET NO. 2 OF 3
REVISED		DESCRIPTION		SIZE A3		THIS DRAWING CONTAINS INFORMATION THAT IS PROPRIETARY TO MOLEX INCORPORATED AND SHOULD NOT BE USED WITHOUT WRITTEN PERMISSION		





**注記 NOTES**

- 嵌合相手: 51021 シリーズ  
MATES WITH: 51021 SERIES
- 材質 MATERIAL: NYLON46, UL94V-0  
ピン: リン青銅  
PIN: PHOS-BRO  
: 銅メッキ 1.0マイクromメートル以上  
: TIN 1.0 MICROMETER MINIMUM  
: ニッケル下地 1.0マイクromメートル以上  
: NICKEL UNDER PLATING 1.0 MICROMETER MINIMUM  
金具 FITTING NAIL: リン青銅  
: PHOS-BRO  
: 銅メッキ 1.0マイクromメートル以上  
: TIN 1.0 MICROMETER MINIMUM  
: ニッケル下地 1.0マイクromメートル以上  
: NICKEL UNDER PLATING 1.0 MICROMETER MINIMUM
- ロック窓は2, 3個は1箇所、4個以上は2箇所とする。  
LOCKING WINDOW: ONE PLACE FOR 2 AND 3 CKT. AND TWO PLACES FOR MORE THAN 3 CKT.
- ソルダーテール部のスリ量及び金具(補強材)のスリ量は基準面 [W] に対し、上方向 0.05 MAX、下方向に 0.1 MAX とする。 [W] OFFSET BETWEEN BASIS PLANE TO SOLDER TAIL BOTTOM AND FITTING NAIL BOTTOM:  
UPPER SIDE: 0.05MAX.  
LOWER SIDE: 0.1MAX.
- 本製品は 53261-\*\*-\*\*10 の鉛フリー品である。  
THIS PRODUCT IS LEAD FREE OF 53261-\*\*-\*\*10

26.4	26	23	21.8	20	53261-1719	17	
23.9	23.5	20.5	19.3	17.5	-1519	15	
22.65	22.25	19.25	18.05	16.25	-1419	14	
21.4	21	18	16.8	15	-1319	13	
20.15	19.75	16.75	15.55	13.75	-1219	12	
18.9	18.5	15.5	14.3	12.5	-1119	11	
17.65	17.25	14.25	13.05	11.25	-1019	10	
16.4	16	13	11.8	10	-0919	9	
15.15	14.75	11.75	10.55	8.75	-0819	8	
13.9	13.5	10.5	9.3	7.5	-0719	7	
12.65	12.25	9.25	8.05	6.25	-0619	6	
11.4	11	8	6.8	5	-0519	5	
10.15	9.75	6.75	5.55	3.75	-0419	4	
8.9	8.5	5.5	4.3	2.5	-0319	3	
53261-**-**19	7.65	7.25	4.25	3.05	1.25	53261-0219	2

REVISED EC NO. J2005-3130 DRAWN BY DRW:NAIDA CHK:KTYODA APPR:NIKIITA 2005/04/19 2005/04/21 2005/04/25	GENERAL TOLERANCES (UNLESS SPECIFIED)		DIMENSION STYLE MM ONLY		SCALE 10:1	DESIGN UNITS METRIC	THIRD ANGLE PROJECTION
	10 UNDER	±0.2	DRAWN BY HSHIMABU	DATE 04/02/06	TITLE 1.25 WIRE TO BOARD WAFER ASS FOR SMT -LEAD FREE-		
	10 OVER 30 UNDER	±0.25	CHECKED BY KTOJO	DATE 04/02/06	MOLEX INCORPORATED		
	30 OVER	±0.3	APPROVED BY MSASAO	DATE 04/02/06	DOCUMENT NO. SD-53261-024		
ANGULAR ±3 °		DRAFT WHERE APPLICABLE MUST REMAIN WITHIN DIMENSIONS		MATERIAL NO. SEE DRAWING	SHEET NO. 1 OF 1		53261-024 (S1)
THIS DRAWING CONTAINS INFORMATION THAT IS PROPRIETARY TO MOLEX INCORPORATED AND SHOULD NOT BE USED WITHOUT WRITTEN PERMISSION				SIZE A3	EN-02JA(021)		