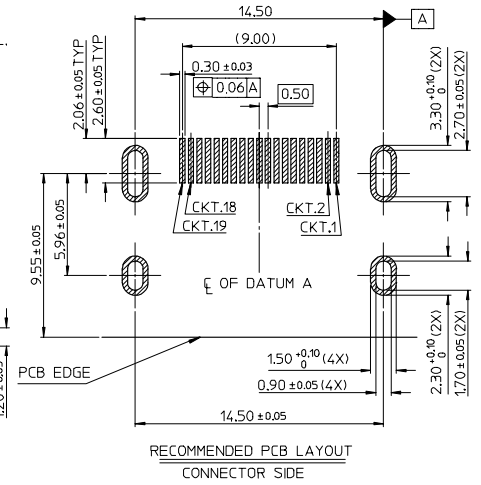
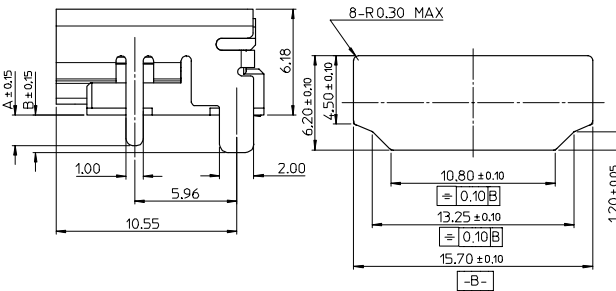
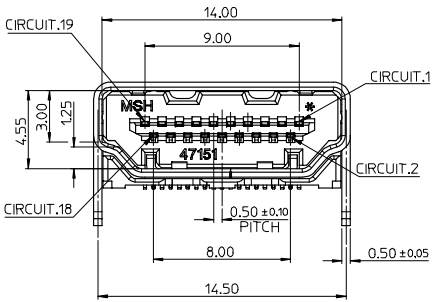
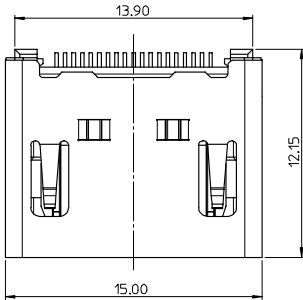
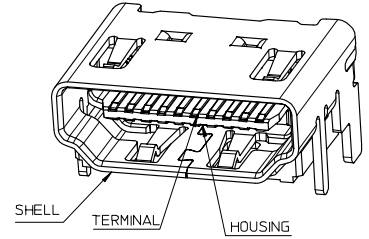


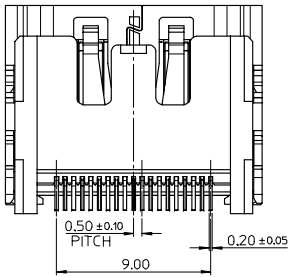
10 9 8 7 6 5 4 3 2 1

NOTES:

- MATERIAL:  
HOUSING: HIGH TEMPERATURE THERMAL PLASTIC. COLOR: SEE TABLE.  
SHELL: COPPER ALLOY.  
TERMINAL: COPPER ALLOY.
- PLATING:  
TERMINAL:  
CONTACT AREA: (1) 0.76 MICROMETER MIN. GOLD PLATING.  
(2) 0.25 MICROMETER MIN. GOLD PLATING.  
(3) GOLD FLASH.  
(4) 0.375 MICROMETER MIN. GOLD PLATING.  
SOLDER AREA: 1 MICROMETER MIN. TIN-BISMUTH ALLOY PLATED.  
UNDER PLATE: 1.27 MICROMETER MIN. NICKEL.  
SHELL: (a) 1.27 MICROMETER MIN. SOLDERABLE NICKEL PLATE OVERALL.  
(b) GOLD FLASH PLATING OVER 1.27 MICROMETER MIN. NICKEL PLATING OVERALL.
- COPLANARITY IS 0.1MM MAX.
- PRODUCT SPECIFICATION REFER TO PS-47152-001.
- PACKAGE SPECIFICATION FOR WITHOUT FLANGE REFER TO PK-47151-001.



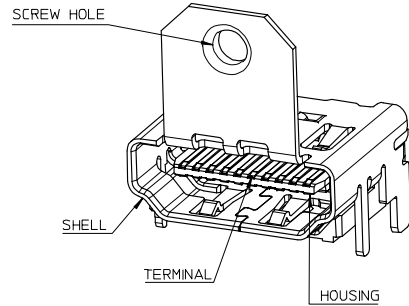
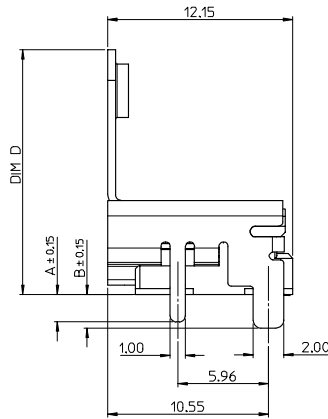
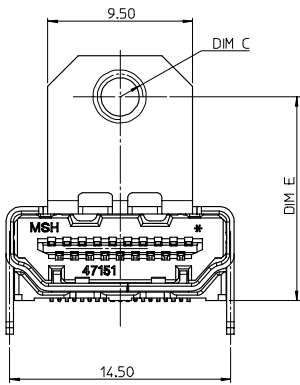
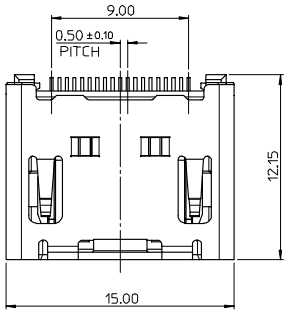
RECOMMENDED PANEL CUT OUT DIMENSION



REVISED EC NO. SH2007-0873 DRW: HCHEN26 CHK: J. JIAN APPR: J. CHEN 2007/06/08 2007/06/08 2007/06/22	QUALITY SYMBOLS ▽=0 ▽=0	GENERAL TOLERANCES (UNLESS SPECIFIED)		DIMENSION STYLE MM ONLY		SCALE 5:1	DESIGN UNITS METRIC	THIRD ANGLE PROJECTION	
		4 PLACES ± --- ± ---		DRAWN BY RZHANG	DATE 2004/07/20	TITLE 1.0 HDMI RIGHT ANGLE HEADER ASSEMBLY (19 PIN) LEAD FREE MOLEX INCORPORATED MATERIAL NO. SD-47151-001 DOCUMENT NO. SD-47151-001 SHEET NO. 1 OF 7			
		3 PLACES ± --- ± ---		CHECKED BY GRMA	DATE 2004/07/20				
		2 PLACES ± 0.25 ± ---		APPROVED BY YTYAP	DATE 2004/07/20				
1 PLACE ± --- ± ---		MATERIAL NO. SEE SHEET 6							
		ANGULAR ± 3 °		DRAFT WHERE APPLICABLE MUST REMAIN WITHIN DIMENSIONS		THIS DRAWING CONTAINS INFORMATION THAT IS PROPRIETARY TO MOLEX INCORPORATED AND SHOULD NOT BE USED WITHOUT WRITTEN PERMISSION			

9 8 7 6 5 4 3 2 1

10 9 8 7 6 5 4 3 2 1



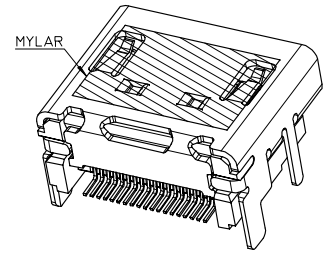
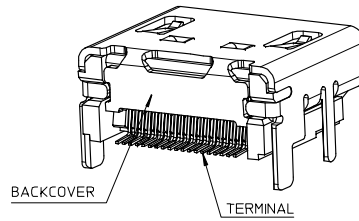
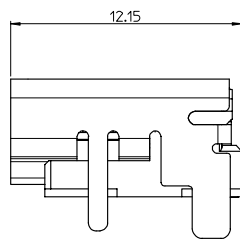
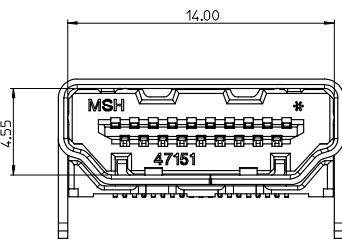
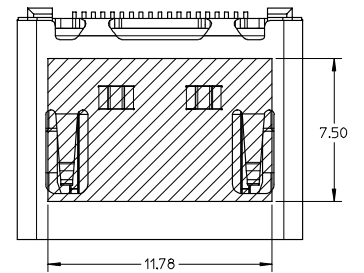
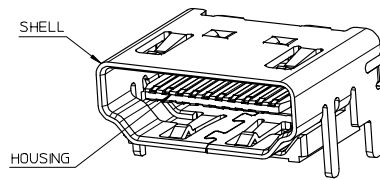
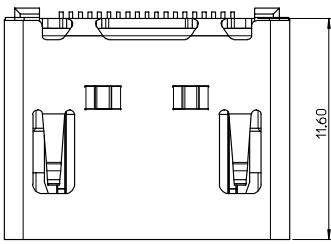
- NOTES:
1. THE UNSPECIFIED DIMENSIONS REFER TO SHEET 1.
  2. PACKAGE SPECIFICATION FOR WITH FLANGE REFER TO PK-47151-002.

REVISED EC NO. SH2007-0873 DRW: RCHEN26 CHK: J. JIAN APPR: J. CHEN 2007/06/08 2007/06/08 2007/06/22	QUALITY SYMBOLS	GENERAL TOLERANCES (UNLESS SPECIFIED)	DIMENSION STYLE	SCALE	DESIGN UNITS	THIRD ANGLE PROJECTION																		
	$\nabla=0$ $\nabla=0$	<table border="1"> <tr> <th></th> <th>mm</th> <th>INCH</th> </tr> <tr> <td>4 PLACES</td> <td>± ---</td> <td>± ---</td> </tr> <tr> <td>3 PLACES</td> <td>± ---</td> <td>± ---</td> </tr> <tr> <td>2 PLACES</td> <td>± 0.25</td> <td>± ---</td> </tr> <tr> <td>1 PLACE</td> <td>± ---</td> <td>± ---</td> </tr> <tr> <td colspan="3">ANGULAR ± 3 °</td> </tr> </table>		mm	INCH	4 PLACES	± ---	± ---	3 PLACES	± ---	± ---	2 PLACES	± 0.25	± ---	1 PLACE	± ---	± ---	ANGULAR ± 3 °			MM ONLY	5:1	METRIC	
		mm	INCH																					
	4 PLACES	± ---	± ---																					
3 PLACES	± ---	± ---																						
2 PLACES	± 0.25	± ---																						
1 PLACE	± ---	± ---																						
ANGULAR ± 3 °																								
DESCRIPTION	DRAWN BY	CHECKED BY	DATE	TITLE																				
F3	RZHANG	GRMA	2004/07/20	1.0 HDMI RIGHT ANGLE HEADER ASSEMBLY(19 PIN) LEAD FREE																				
	APPROVED BY	DATE		MOLEX INCORPORATED																				
	YTYAP	2004/07/20		SD-47151-001																				
	MATERIAL NO.	DOCUMENT NO.		SHEET NO.																				
	SEE SHEET 6			2 OF 7																				
	THIS DRAWING CONTAINS INFORMATION THAT IS PROPRIETARY TO MOLEX INCORPORATED AND SHOULD NOT BE USED WITHOUT WRITTEN PERMISSION																							

9 8 7 6 5 4 3 2 1

10 9 8 7 6 5 4 3 2 1

WITH BACK COVER



THIS IS ONLY FOR 47151-1061/1071/1081

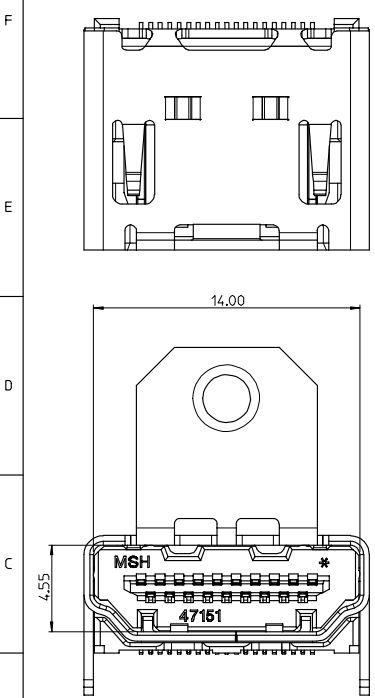
NOTES:

1. THE UNSPECIFIED DIMENSIONS REFER TO 47151-0001.
2. PACKAGE SPECIFICATION FOR WITHOUT FLANGE REFER TO PK-47151-001.

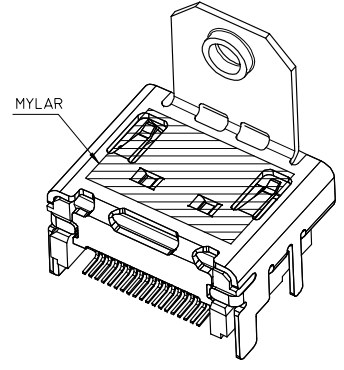
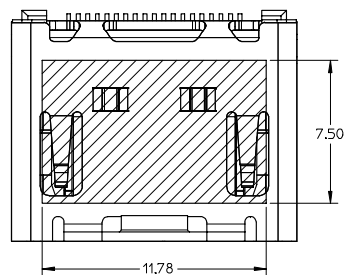
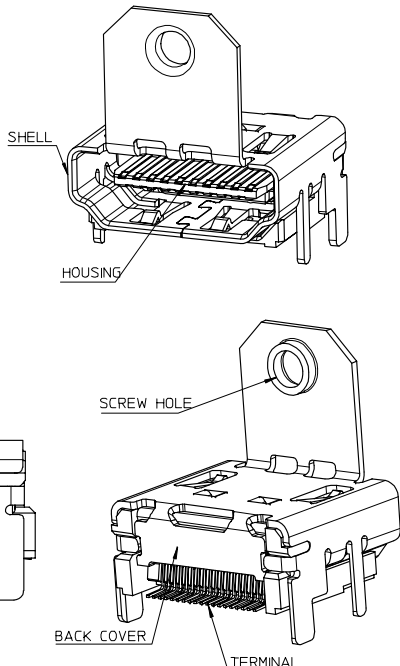
REVISED EC NO: SH2007-0873 DRW: RCHEN26 CHK: J. JIAN APPR: J. CHEN 2007/06/08 2007/06/08 2007/06/22	QUALITY SYMBOLS ▽=0 ▽=0	GENERAL TOLERANCES (UNLESS SPECIFIED)		DIMENSION STYLE MM ONLY		SCALE 5:1	DESIGN UNITS METRIC	THIRD ANGLE PROJECTION	
			mm	INCH	DRAWN BY RZHANG	DATE 2004/07/20	TITLE 1.0 HDMI RIGHT ANGLE HEADER ASSEMBLY(19 PIN) LEAD FREE MOLEX INCORPORATED MOLEX MOLEX INCORPORATED DOCUMENT NO. SD-47151-001 SHEET NO. 3 OF 7		
		4 PLACES	± ---	± ---	CHECKED BY GRMA	DATE 2004/07/20			
		3 PLACES	± ---	± ---	APPROVED BY YTYAP	DATE 2004/07/20			
2 PLACES	± 0.25	± ---	MATERIAL NO. SEE SHEET 6						
1 PLACE	± ---	± ---	DRAFT WHERE APPLICABLE MUST REMAIN WITHIN DIMENSIONS		SIZE A3		THIS DRAWING CONTAINS INFORMATION THAT IS PROPRIETARY TO MOLEX INCORPORATED AND SHOULD NOT BE USED WITHOUT WRITTEN PERMISSION		
ANGULAR		± 3 °							

9 8 7 6 5 4 3 2 1

10 9 8 7 6 5 4 3 2 1



WITH BACK COVER



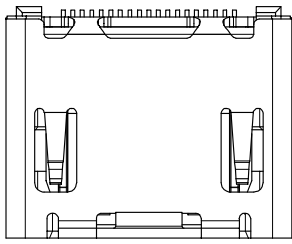
THIS IS ONLY FOR 47151-1025

NOTES:  
 1. THE UNSPECIFIED DIMENSIONS REFER TO 47151-0002.  
 2. PACKAGE SPECIFICATION FOR WITH FLANGE REFER TO PK-47151-002.

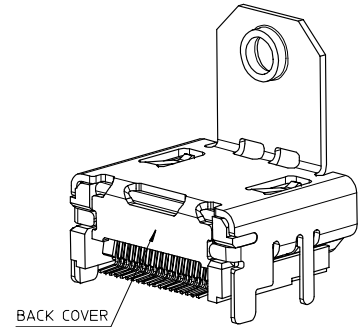
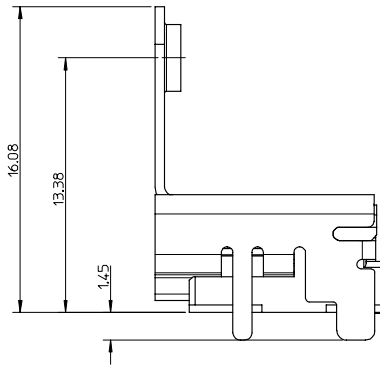
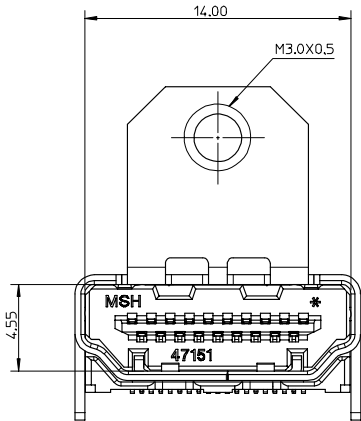
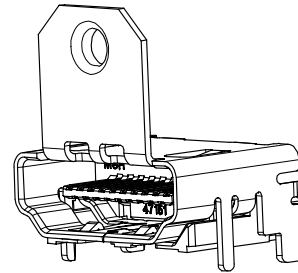
REVISED EC NO. SH2007-0873 DRW: WARCHEN26 CHK: CHIKO-JIAN APPR: JINCHEN 2007/06/08 2007/06/08 2007/06/22	QUALITY SYMBOLS ▽=0 ▽=0	GENERAL TOLERANCES (UNLESS SPECIFIED)		DIMENSION STYLE MM ONLY		SCALE 5:1	DESIGN UNITS METRIC	THIRD ANGLE PROJECTION
		4 PLACES ± --- ± --- 3 PLACES ± --- ± --- 2 PLACES ± 0.25 ± --- 1 PLACE ± --- ± --- ANGULAR ± 3 °	DRAWN BY RZHANG DATE 2004/07/20	CHECKED BY GRMA DATE 2004/07/20	TITLE 1.0 HDMI RIGHT ANGLE HEADER ASSEMBLY(19 PIN) LEAD FREE			
		DRAFT WHERE APPLICABLE MUST REMAIN WITHIN DIMENSIONS	MATERIAL NO. SEE SHEET 7	APPROVED BY YTYAP DATE 2004/07/20	MOLEX INCORPORATED			
REV F3	DESCRIPTION	SIZE A3	THIS DRAWING CONTAINS INFORMATION THAT IS PROPRIETARY TO MOLEX INCORPORATED AND SHOULD NOT BE USED WITHOUT WRITTEN PERMISSION			DOCUMENT NO. SD-47151-001	SHEET NO. 4 OF 7	

9 8 7 6 5 4 3 2 1

10 9 8 7 6 5 4 3 2 1



WITHOUT TOP HOLE



NOTES:  
1. THE UNSPECIFIED DIMENSIONS REFER TO 47151-1102.

REVISED EC NO. SH2007-0873 DRW: RCHEN26 CHK: J. JIAN APPR: J. CHEN 2007/06/08 2007/06/08 2007/06/22	QUALITY SYMBOLS ▽=0 ▽=0	GENERAL TOLERANCES (UNLESS SPECIFIED)		DIMENSION STYLE MM ONLY		SCALE 5:1	DESIGN UNITS METRIC	THIRD ANGLE PROJECTION	
		mm	INCH	DRAWN BY RZHANG	DATE 2004/07/20	TITLE 1.0 HDMI RIGHT ANGLE HEADER ASSEMBLY(19 PIN) LEAD FREE			
		4 PLACES ± ---	± ---	CHECKED BY GRMA	DATE 2004/07/20				
		3 PLACES ± ---	± ---	APPROVED BY YTAP	DATE 2004/07/20	MOLEX INCORPORATED			
2 PLACES ± 0.25	± ---	DRAFT WHERE APPLICABLE MUST REMAIN WITHIN DIMENSIONS		SEE SHEET 7		DOCUMENT NO. SD-47151-001	SHEET NO. 5 OF 7		
1 PLACE ± ---	± ---	ANGULAR ± 3 °		SIZE A3		THIS DRAWING CONTAINS INFORMATION THAT IS PROPRIETARY TO MOLEX INCORPORATED AND SHOULD NOT BE USED WITHOUT WRITTEN PERMISSION			

9 8 7 6 5 4 3 2 1

		DIMENSION					FEATURE				HOUSING COLOR	GOLD PLATING IN CONTACT AREA	SHELL PLATING	REMARK				
ASSEMBLY NO.	DM A	DM B	DM C	DM D	DM E	FANGE	BACK COVER	TOP HOLES	MYLAR									
47151-0001	1.80	2.20	/	/	/	W/O	W/O	W/O	W/O	BLACK	SEE NOTE 2 (1)	SEE NOTE 2 (a)	FOR SHEET 1					
47151-0051										BLACK	SEE NOTE 2 (3)							
47151-0011										NATURE								
47151-0021										BLACK								
47151-0031										NATURE	SEE NOTE 2 (1)							
47151-0101	1.45	1.45	/	/	/	W/O	W/O	W/O	BLACK	SEE NOTE 2 (3)	SEE NOTE 2 (a)	FOR SHEET 2						
47151-0151									BLACK									
47151-0111									NATURE									
47151-0121									BLACK	SEE NOTE 2 (1)	SEE NOTE 2 (b)							
47151-0131									NATURE									
47151-0002	1.80	2.20	M3.0X0.5	16.08	13.38	WITH	W/O	W/O	BLACK	SEE NOTE 2 (1)	SEE NOTE 2 (a)	FOR SHEET 2						
47151-0012									BLACK									
47151-0022									NATURE									
47151-0032									BLACK	SEE NOTE 2 (1)	SEE NOTE 2 (a)							
47151-0102									NATURE									
47151-0112	1.45	1.45	M3.0X0.5	16.08	13.38	WITH	W/O	W/O	BLACK	SEE NOTE 2 (1)	SEE NOTE 2 (a)	FOR SHEET 2						
47151-0122									BLACK									
47151-0132									NATURE									
47151-6002									1.80	2.20	14.25		11.28				BLACK	SEE NOTE 2 (a)
47151-6102									1.45	1.45							BLACK	
47151-1001	1.80	2.20	/	/	/	W/O	WITH	W/O	WITH	BLACK	SEE NOTE 2 (1)	SEE NOTE 2 (a)	FOR SHEET 3					
47151-1061									W/O	BLACK	SEE NOTE 2 (2)							
47151-1041									WITH	BLACK								
47151-1071									W/O	BLACK	SEE NOTE 2 (3)							
47151-1051									WITH	BLACK								
47151-1081	1.45	1.45	/	/	/	W/O	WITH	W/O	NATURE	SEE NOTE 2 (1)	SEE NOTE 2 (b)	FOR SHEET 3						
47151-1011									BLACK									
47151-1021									NATURE									
47151-1031									BLACK	SEE NOTE 2 (2)	SEE NOTE 2 (a)							
47151-1101									BLACK	SEE NOTE 2 (3)								
47151-1141	1.45	1.45	/	/	/	W/O	WITH	W/O	NATURE	SEE NOTE 2 (1)	SEE NOTE 2 (b)	FOR SHEET 3						
47151-1151									BLACK									
47151-1111									NATURE									
47151-1121									BLACK	SEE NOTE 2 (1)	SEE NOTE 2 (b)							
47151-1131									NATURE									

C  
B  
A

REVISED EC NO: SH2007-0873 DRW: HCHEN26 CHK: JLIAN APPR: JICHEN 2007/06/08 2007/06/08 2007/06/22	QUALITY SYMBOLS	GENERAL TOLERANCES (UNLESS SPECIFIED)	DIMENSION STYLE	SCALE	DESIGN UNITS	THIRD ANGLE PROJECTION
	▽=0	mm INCH	MM ONLY	1:1	METRIC	
	▽=0	4 PLACES ± --- ± ---	DRAWN BY DATE	TITLE 1.0 HDMI RIGHT ANGLE HEADER ASSEMBLY(19 PIN) LEAD FREE MOLEX INCORPORATED		
		3 PLACES ± --- ± ---	RZHANG 2004/07/20			
	2 PLACES ± 0.25 ± ---	CHECKED BY DATE				
	1 PLACE ± --- ± ---	GRMA 2004/07/20				
	ANGULAR ± 3 °	APPROVED BY DATE				
		YTYAP 2004/07/20				
		MATERIAL NO.	DOCUMENT NO.			SHEET NO.
			SD-47151-001			6 OF 7
		DRAFT WHERE APPLICABLE MUST REMAIN WITHIN DIMENSIONS	SEE TABLE			
			THIS DRAWING CONTAINS INFORMATION THAT IS PROPRIETARY TO MOLEX INCORPORATED AND SHOULD NOT BE USED WITHOUT WRITTEN PERMISSION			

ASSEMBLY NO.	DIMENSION					FEATURE				MYLAR	HOUSING COLOR	GOLD PLATING IN CONTACT AREA	SHELL PLATING	REMARK
	DM A	DM B	DM C	DM D	DM E	FLANGE	BACK COVER	TOP HOLES						
47151-1002	1.80	2.20	M3.0X0.5	16.08	13.38	WITH	WITH	WITH	W/O	BLACK	SEE NOTE 2 (1)	SEE NOTE 2 (a)	FOR SHEET 4	
47151-1042										BLACK	SEE NOTE 2 (2)			
47151-1052										BLACK	SEE NOTE 2 (3)			
47151-1062										BLACK	SEE NOTE 2 (4)			
47151-1012										NATURE	SEE NOTE 2 (1)			
47151-1022	BLACK	SEE NOTE 2 (a)	SEE NOTE 2 (b)											
47151-1032	NATURE													
47151-1102	BLACK													
47151-1142	BLACK													
47151-1152	BALCK													
47151-112	1.45	1.45	M3.0X0.5	14.25	11.28	WITH	WITH	WITH	W/O	NATURE	SEE NOTE 2 (1)	SEE NOTE 2 (a)	FOR SHEET 5	
47151-1005										BLACK	SEE NOTE 2 (2)			
47151-1015										BLACK	SEE NOTE 2 (3)			
47151-1025	1.80	2.20	4-40						WITH	BLACK	SEE NOTE 2 (1)	SEE NOTE 2 (a)		
47151-6012	1.80	2.20	M3.0X0.5	14.25	11.28	WITH	WITH	W/O	W/O	BLACK	SEE NOTE 2 (2)	SEE NOTE 2 (a)	FOR SHEET 5	
47151-6042										BLACK	SEE NOTE 2 (3)			
47151-6052										BLACK	SEE NOTE 2 (1)			
47151-6112										BLACK	SEE NOTE 2 (2)			
47151-6142										BLACK	SEE NOTE 2 (3)			
47151-6152	1.45	1.45	/	/	/	WITH	WITH	W/O		BLACK	SEE NOTE 2 (1)	SEE NOTE 2 (a)	FOR SHEET 5	

REVISED EC NO. SH2007-0873 DRW: WARCHEN26 CHK: CHIKO-JITIAN APPR: JINCHEN 2007/06/08 2007/06/08 2007/06/22	QUALITY SYMBOLS ▽=0 ▽=0	GENERAL TOLERANCES (UNLESS SPECIFIED)		DIMENSION STYLE MM ONLY		SCALE 1:1	DESIGN UNITS METRIC	THIRD ANGLE PROJECTION	
		4 PLACES ± --- + --- 3 PLACES ± --- + --- 2 PLACES ± 0.25 + --- 1 PLACE ± --- + --- ANGULAR ± 3 °	mm    INCH	DRAWN BY RZHANG	DATE 2004/07/20	TITLE 1.0 HDMI RIGHT ANGLE HEADER ASSEMBLY(19 PIN) LEAD FREE			
		DRAFT WHERE APPLICABLE MUST REMAIN WITHIN DIMENSIONS		CHECKED BY GRMA	DATE 2004/07/20	MOLEX INCORPORATED			
				APPROVED BY YTYAP	DATE 2004/07/20	MATERIAL NO. SEE TABLE	DOCUMENT NO. SD-47151-001	SHEET NO. 7 OF 7	