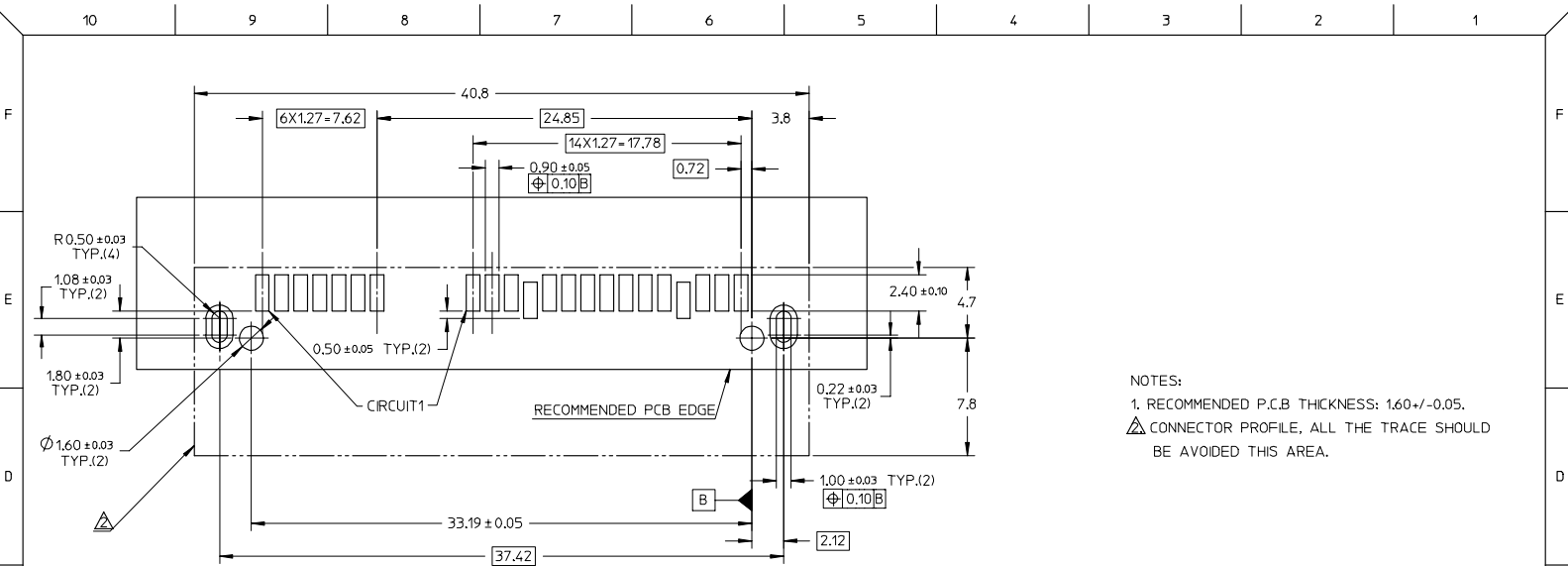


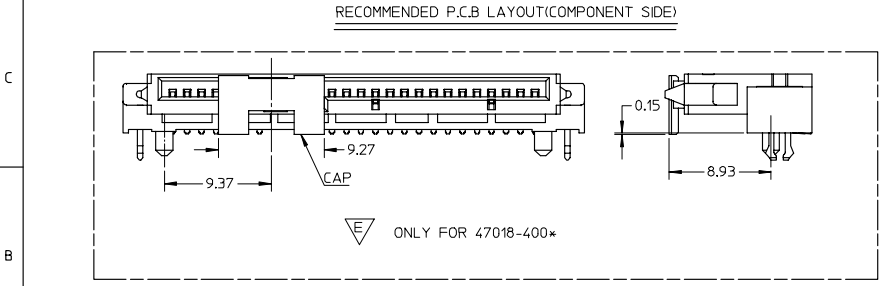
NOTES:

- MATERIAL:  
HOUSING: THERMAL PLASTIC, GLASS FILLED, UL94V-0. COLOR: BLACK;  
FORKLOCK: COPPER ALLOY;  
TERMINALS: COPPER ALLOY.
- TERMINAL PLATING:  
CONTACT AREA:  
(a) GOLD FLASH,  
(b) GOLD, THICKNESS=0.76 MICRONS MINIMUM,  
(c) GOLD, THICKNESS=0.38 MICRONS MINIMUM.  
▽SOLDER AREA: TIN, THICKNESS=2.00 MICRONS MINIMUM;  
UNDER PLATE: NICKEL, THICKNESS=1.27 MICRONS MINIMUM.
- FORKLOCK PLATING:  
▽SOLDER AREA: TIN, THICKNESS=2.00 MICRONS MINIMUM;  
UNDER PLATING: NICKEL, THICKNESS=1.27 MICRONS MINIMUM.
- PRODUCT SPECIFICATION: PS-67492-001.
- PACKAGING METHOD: 47018-400\*, TAPE REEL, DETAIL REFER TO PK-47018-003,  
OTHERS. TRAY, DETAIL REFER TO PK-67492-001.
- MATING PARTS: 87703/87672.
- PRODUCT COMPLIANT TO RoSH DIRECTIVE 2002/95/EC AND 2000/53/EC.

REVISED	2006/09/12	QUALITY SYMBOLS	GENERAL TOLERANCES (UNLESS SPECIFIED)	DIMENSION STYLE	SCALE	DESIGN UNITS	THIRD ANGLE PROJECTION
	2006/09/15	DESCRIPTION		MM ONLY	2:1	METRIC	
EC NO:	2006/09/12	DRW: WJGLI	4 PLACES ± --- ± ---	DRAWN BY	DATE	TITLE	
CHKD: JIAN	2006/09/15	CHKD: JIAN	3 PLACES ± --- ± ---	TOM LI	2004/10/25	SERIAL ATA DOCKING CONNECTOR TOP MOUNT TYPE	
APPR: JINCHEN	2006/09/19	APPR: JINCHEN	2 PLACES ± 0.25 ± ---	CHECKED BY	DATE	MOLEX INCORPORATED	
REV			1 PLACE ± 0.25 ± ---	GRATE MA	2004/10/25	MOLEX INCORPORATED	
			ANGULAR ± 3 °	APPROVED BY	DATE	DOCUMENT NO.	SHEET NO.
				VINCENT	2004/10/25	SD-47018-001	1 OF 2
			DRAFT WHERE APPLICABLE MUST REMAIN WITHIN DIMENSIONS	MATERIAL NO.	SEE TABLE OF SHEET 2	THIS DRAWING CONTAINS INFORMATION THAT IS PROPRIETARY TO MOLEX INCORPORATED AND SHOULD NOT BE USED WITHOUT WRITTEN PERMISSION	

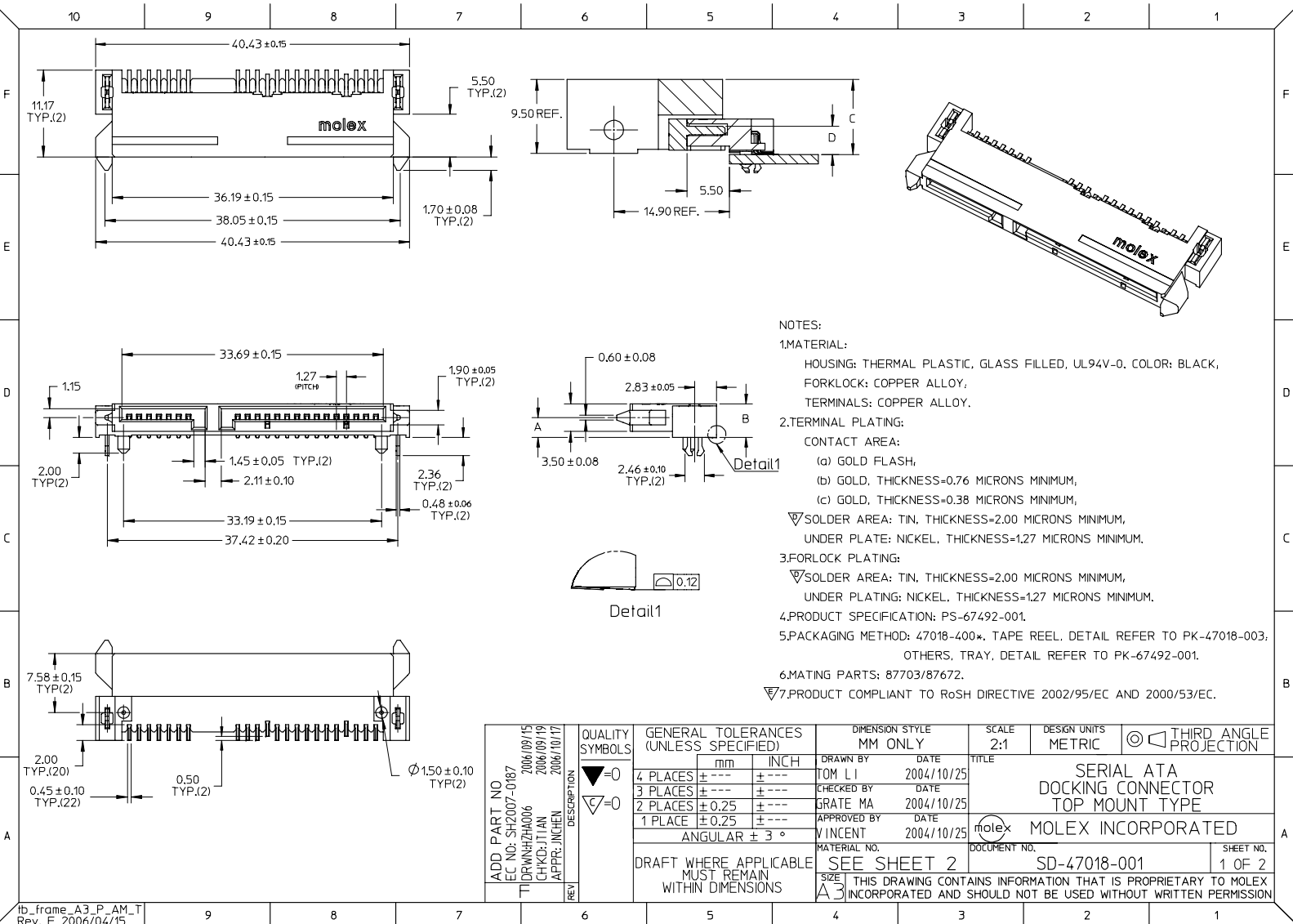


NOTES:  
 1. RECOMMENDED P.C.B THICKNESS: 1.60+/-0.05.  
 △ CONNECTOR PROFILE, ALL THE TRACE SHOULD BE AVOIDED THIS AREA.



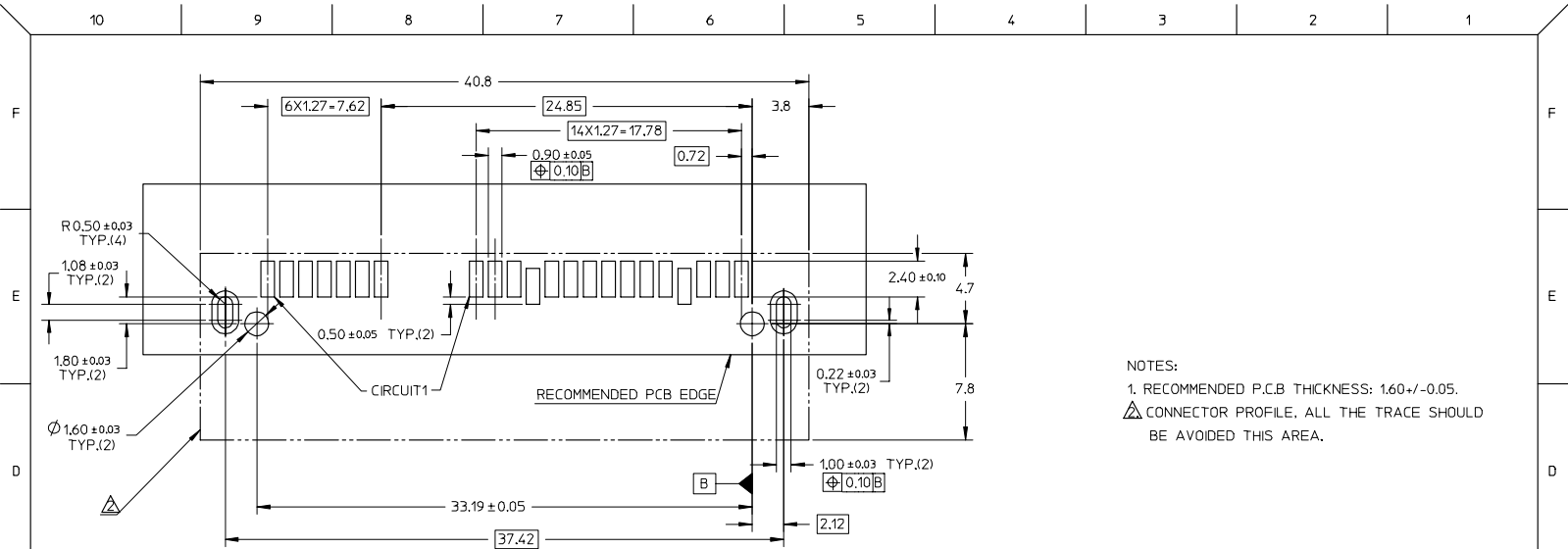
PRODUCT	CONTACT PLATING SPEC	DIM'A'	DIM'B'	DIM'C'	DIM'D'	PACKAGE	REMARK
47018-4000	NOTES 2 (A) OF SHEET 1	3.40	5.15	10.50	4.50	TAPE REEL	PURE TIN (WITH CAP)
47018-4001	NOTES 2 (B) OF SHEET 1						
47018-4002	NOTES 2 (C) OF SHEET 1	2.95	4.70	10.05	4.05	TRAY	PURE TIN
47018-3000	NOTES 2 (A) OF SHEET 1						
47018-3001	NOTES 2 (B) OF SHEET 1						
47018-3002	NOTES 2 (C) OF SHEET 1	2.55	4.30	9.65	3.65		
47018-2000	NOTES 2 (A) OF SHEET 1						
47018-2001	NOTES 2 (B) OF SHEET 1						
47018-2002	NOTES 2 (C) OF SHEET 1						

REVISED EC NO: DRAWING CHKD: JIAN APPR: JICHEN	2006/09/12	QUALITY SYMBOLS ▽=0 ▽=0	GENERAL TOLERANCES (UNLESS SPECIFIED) mm INCH 4 PLACES ± --- ± --- 3 PLACES ± --- ± --- 2 PLACES ± 0.25 ± --- 1 PLACE ± 0.25 ± --- ANGULAR ± 3 °	DIMENSION STYLE MM ONLY	SCALE 1:1	DESIGN UNITS METRIC	THIRD ANGLE PROJECTION
	2006/09/15			DRAWN BY TOM LI	DATE 2004/10/25	TITLE SERIAL ATA DOCKING CONNECTOR TOP MOUNT TYPE	
	2006/09/19			CHECKED BY GRATE MA	DATE 2004/10/25	APPROVED BY VINCENT	DATE 2004/10/25
DRAFT WHERE APPLICABLE MUST REMAIN WITHIN DIMENSIONS				SIZE A3	THIS DRAWING CONTAINS INFORMATION THAT IS PROPRIETARY TO MOLEX INCORPORATED AND SHOULD NOT BE USED WITHOUT WRITTEN PERMISSION		



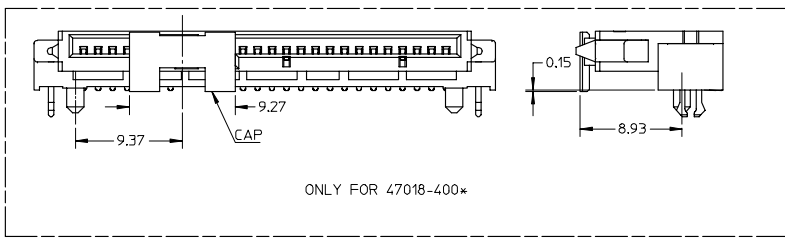
- NOTES:
- MATERIAL:
    - HOUSING: THERMAL PLASTIC, GLASS FILLED, UL94V-0, COLOR: BLACK,
    - FORKLOCK: COPPER ALLOY,
    - TERMINALS: COPPER ALLOY.
  - TERMINAL PLATING:
    - CONTACT AREA:
      - (a) GOLD FLASH,
      - (b) GOLD, THICKNESS=0.76 MICRONS MINIMUM,
      - (c) GOLD, THICKNESS=0.38 MICRONS MINIMUM,
    - SOLDER AREA: TIN, THICKNESS=2.00 MICRONS MINIMUM,
    - UNDER PLATE: NICKEL, THICKNESS=1.27 MICRONS MINIMUM.
  - FORLOCK PLATING:
    - SOLDER AREA: TIN, THICKNESS=2.00 MICRONS MINIMUM,
    - UNDER PLATING: NICKEL, THICKNESS=1.27 MICRONS MINIMUM.
  - PRODUCT SPECIFICATION: PS-67492-001.
  - PACKAGING METHOD: 47018-400\*, TAPE REEL. DETAIL REFER TO PK-47018-003; OTHERS, TRAY, DETAIL REFER TO PK-67492-001.
  - MATING PARTS: 87703/87672.
  - PRODUCT COMPLIANT TO RoSH DIRECTIVE 2002/95/EC AND 2000/53/EC.

ADD PART NO EC NO: SH2007-0187 TIDRWNHZHQ06 CHIKO-JIAN APPR: JINCHEN 2006/09/15 2006/09/19 2006/10/17	QUALITY SYMBOLS ▽=0 ▽=0	GENERAL TOLERANCES (UNLESS SPECIFIED)		DIMENSION STYLE MM ONLY		SCALE 2:1	DESIGN UNITS METRIC	THIRD ANGLE PROJECTION
		4 PLACES ± --- ± --- 3 PLACES ± --- ± --- 2 PLACES ± 0.25 ± --- 1 PLACE ± 0.25 ± --- ANGULAR ± 3 °	DRAWN BY TOM LI 2004/10/25	DATE 2004/10/25	TITLE SERIAL ATA DOCKING CONNECTOR TOP MOUNT TYPE			
REV DESCRIPTION	DRAFT WHERE APPLICABLE MUST REMAIN WITHIN DIMENSIONS		MATERIAL NO. SEE SHEET 2		DOCUMENT NO. SD-47018-001		SHEET NO. 1 OF 2	
	MOLEX INCORPORATED THIS DRAWING CONTAINS INFORMATION THAT IS PROPRIETARY TO MOLEX INCORPORATED AND SHOULD NOT BE USED WITHOUT WRITTEN PERMISSION							



NOTES:  
 1. RECOMMENDED P.C.B THICKNESS: 1.60±0.05.  
 △ CONNEXOR PROFILE. ALL THE TRACE SHOULD BE AVOIDED THIS AREA.

RECOMMENDED P.C.B LAYOUT (COMPONENT SIDE)



ONLY FOR 47018-400\*

PRODUCT	CONTACT PLATING SPEC	DIM'A'	DIM'B'	DIM'C'	DIM'D'	PACKAGE	REMARK
47018-4000	NOTES 2 (A) OF SHEET 1	3.40	5.15	10.50	4.50	TAPE REEL	PURE TIN (LIGHT TIN)
47018-4001	NOTES 2 (B) OF SHEET 1						WITH CAP
47018-4002	NOTES 2 (C) OF SHEET 1						
47018-3000	NOTES 2 (A) OF SHEET 1	2.95	4.70	10.05	4.05	TRAY	PURE TIN (LIGHT TIN)
47018-3001	NOTES 2 (B) OF SHEET 1						
47018-3002	NOTES 2 (C) OF SHEET 1						
47018-2010	NOTES 2 (A) OF SHEET 1	2.55	4.30	9.65	3.65	TRAY	PURE TIN (MATTE TIN)
47018-2011	NOTES 2 (B) OF SHEET 1						
47018-2012	NOTES 2 (C) OF SHEET 1						
47018-2000	NOTES 2 (A) OF SHEET 1	2.55	4.30	9.65	3.65	TRAY	PURE TIN (LIGHT TIN)
47018-2001	NOTES 2 (B) OF SHEET 1						
47018-2002	NOTES 2 (C) OF SHEET 1						

ADD PART NO EC NO: SH2007-0187 TIDRWNHZHD06 CHIKO-JITIAN APPR: JINCHEN 2006/09/15 2006/09/19 2006/10/17	QUALITY SYMBOLS ▽=0 ▽=0	GENERAL TOLERANCES (UNLESS SPECIFIED)		DIMENSION STYLE MM ONLY		SCALE 1:1	DESIGN UNITS METRIC	THIRD ANGLE PROJECTION	
		4 PLACES ± --- ± --- 3 PLACES ± --- ± --- 2 PLACES ± 0.25 ± --- 1 PLACE ± 0.25 ± --- ANGULAR ± 3°	mm INCH	DRAWN BY TOM LI 2004/10/25	DATE 2004/10/25	TITLE SERIAL ATA DOCKING CONNECTOR TOP MOUNT TYPE			
		DRAFT WHERE APPLICABLE MUST REMAIN WITHIN DIMENSIONS		CHECKED BY GRATE MA 2004/10/25	DATE 2004/10/25	MOLEX INCORPORATED			
				APPROVED BY VINCENT 2004/10/25	DATE 2004/10/25	MATERIAL NO. SD-47018-001	DOCUMENT NO.	SHEET NO. 2 OF 2	