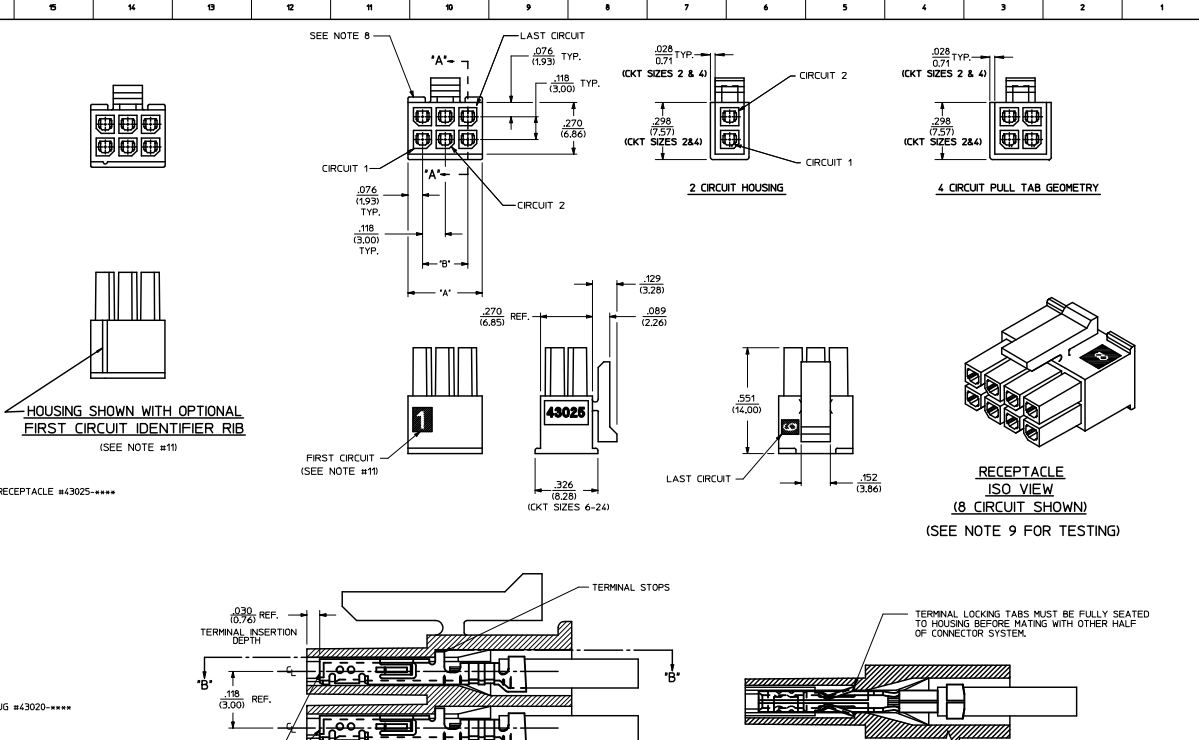
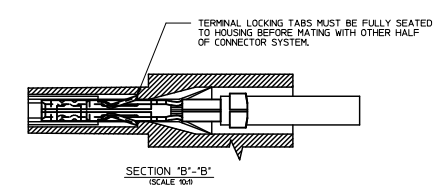
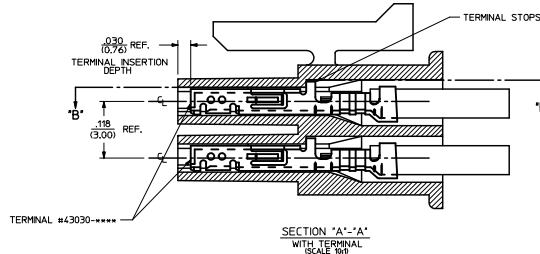


PART CHARACTERISTICS		CKT. NO.	DIM. "A"	DIM. "B"
NUMBER OF POSITION	ASSEMBLY ITEM NUMBER			
02	43025-0208	2	.152(3.86)	N/A
04	43025-0408	4	.270(6.85)	.118(3.00)
06	43025-0608	6	.388(9.85)	.236(6.00)
08	43025-0808	8	.506(12.85)	.354(9.00)
10	43025-1008	10	.624(15.85)	.472(12.00)
12	43025-1208	12	.742(18.85)	.591(15.00)
14	43025-1408	14	.860(21.85)	.709(18.00)
16	43025-1608	16	.978(24.85)	.827(21.00)
18	43025-1808	18	1.096(27.85)	.945(24.00)
20	43025-2008	20	1.215(30.85)	1.063(27.00)
22	NOT TOOLED	22	1.333(33.85)	1.181(30.00)
24	43025-2408	24	1.451(36.85)	1.299(33.00)



- NOTES:**
- HOUSING MATERIAL: UNFILLED NYLON 6, RATED U.L. 94V-0, IEC 60335-1, 4TH EDITION GLOW WIRE CAPABLE, COLOR IS BLACK.
 - FINISH: N/A
 - PRODUCT SPECIFICATION: PS-43045
 - PACKAGING SPECIFICATION: N/A
 - THIS RECEPTACLE MATES WITH 43020, 43045.
 - THIS RECEPTACLE TO BE USED WITH MOLEX FEMALE TERMINAL #43030-****. SEE SECTION "A-A" FOR TERMINAL ORIENTATION IN HOUSING.
 - FOR OVERMOLDING PARAMETERS SEE ENGINEERING SPECIFICATION #SDS-43025-1000.
 - TOP PULL TABS ARE NOT AVAILABLE ON 2 AND 4 CIRCUIT PARTS.
 - MOLEX RECOMMENDS THE USE OF MICRO-FIT TEST PLUG, SERIES NO. 44242-**** WHENEVER TESTING IS PERFORMED. TEST PLUGS MUST NOT BE USED FOR MAKE OR BREAK UNDER LOAD. MOLEX DOES NOT RECOMMEND USING STANDARD MATING COMPONENTS FOR HARNESS TESTING PURPOSES.
 - SOME HOUSINGS MAY HAVE A SMALL GATE BLEMISH NEAR THE GATE THAT DOES NOT AFFECT FUNCTIONALITY.
 - HOUSINGS MAY HAVE EITHER AN IDENTIFIER RIB OR "Y" SYMBOL ENGRAVE TO INDICATE CIRCUIT #1.
 - THIS PART CONFORMS TO CLASS "B" REQUIREMENTS OF COSMETIC SPECIFICATION PS-45499-002.



QUALITY SYMBOLS	GENERAL TOLERANCES (UNLESS SPECIFIED)		DIMENSION STYLE		SCALE	DESIGN UNITS	THIRD ANGLE PROJECTION
	mm	INCH	IN/MM	DATE			
▽	4 PLACES ± .005	± .001	IN/MM	2008/01/22	---	METRIC	MICRO-FIT (3.0)
▽	3 PLACES ± .010	± .010	IN/MM	2008/01/22			
▽	2 PLACES ± 0.25	± .014	IN/MM	2008/01/25			
▽	1 PLACE ± 0.55	± .014	IN/MM	2008/02/02			RECEPTACLE, HALOGEN-FREE
▽	ANGULAR ± 1/2°						MOLEX INCORPORATED
DRAFT WHERE APPLICABLE MUST REMAIN WITHIN DIMENSIONS			MATERIAL NO. SEE CHART		DOCUMENT NO.		SD-43025-001
SHEET THIS DRAWING CONTAINS INFORMATION THAT IS PROPRIETARY TO MOLEX INCORPORATED AND SHOULD NOT BE USED WITHOUT WRITTEN PERMISSION							

11-From D.P. ME-1
REV. E 2006/04/15