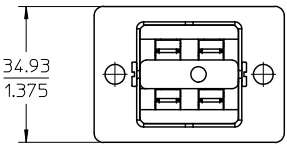
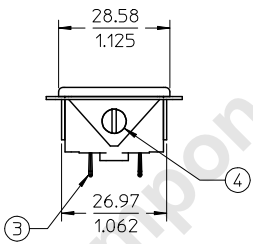
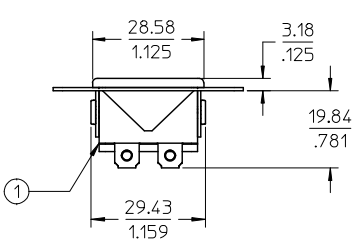
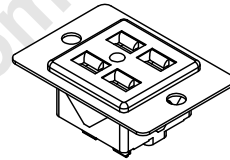
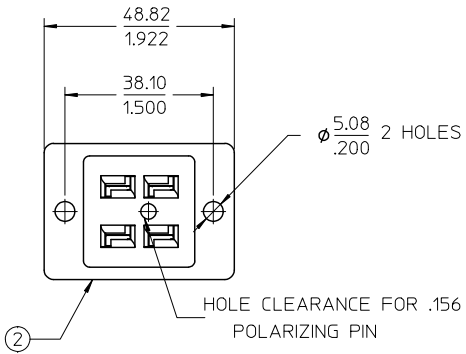


10 9 8 7 6 5 4 3 2 1



onlinecomponents.com

NOTES:
1.ASSEMBLY IS ROHS COMPLIANT

ITEM	QTY	DESCRIPTION	MATERIAL	FINISH
4	2	SCREW #6-32X.250 PAN SLOT NI/STEEL	STEEL	NICKEL
3	4	CONTACT S 5400 SN/D	PHOS.BRONZE	TIN
2	1	BRACKET,SHALLOW,5404	STEEL	BLACK PAINT/ZINC
1	1	BASE SOCKET 5404 MOGPP	PHENOLIC	BLACK

INITIAL RELEASE EC NO: MNA2010-0038 DRW:CLYORK 2009/10/09 CHKD: 2009/10/14 APPR:DTITUS 2009/10/15	QUALITY SYMBOLS	GENERAL TOLERANCES (UNLESS SPECIFIED)	DIMENSION STYLE MM/IN	SCALE 1:1	DESIGN UNITS INCH	THIRD ANGLE PROJECTION
	▽=0	4 PLACES ± --- ± ---	DRAWN BY CLYORK DATE 2009/07/20	TITLE SOCKET,SB 5404 ASY		
	▽=0	3 PLACES ± --- ± .015	CHECKED BY DATE	APPROVED BY DTITUS DATE 2009/10/14		
		2 PLACES ± 0.38 ± ---	MATERIAL NO. 385421304		MOLEX INCORPORATED	
	1 PLACE ± --- ± ---	ANGULAR ±1/2°	DOCUMENT NO. SD-38542-002		SHEET NO. 1 OF 1	
	DRAFT WHERE APPLICABLE MUST REMAIN WITHIN DIMENSIONS		THIS DRAWING CONTAINS INFORMATION THAT IS PROPRIETARY TO MOLEX INCORPORATED AND SHOULD NOT BE USED WITHOUT WRITTEN PERMISSION			

9 8 7 6 5 4 3 2 1