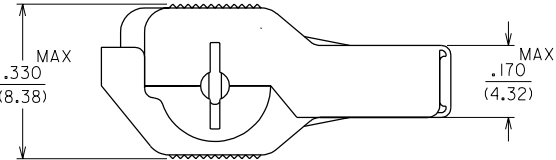
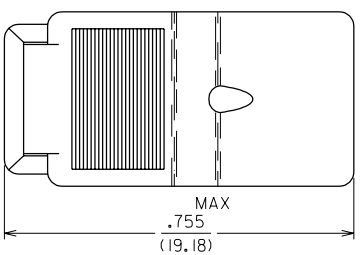
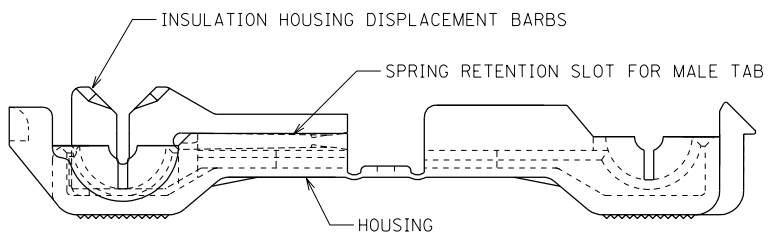


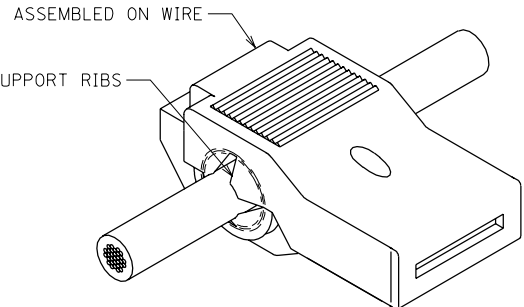
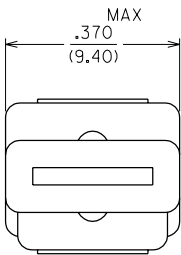
MATERIAL NO.	ALTERNATE NO.	WIRE RANGE AWG(mm ²)	HOUSING COLOR
192160011	WT-2218	22-18(.34-.75)	RED
192160010	WT-1814	18-14(.75-2.5)	BLUE
192160009	WT-12	12(4.0)	YELLOW



CLOSED POSITION AFTER ASSEMBLY ON WIRE



OPEN POSITION PRIOR TO ASSEMBLY ON WIRE



- NOTES:
- MATERIALS
 HOUSING: UNFILLED NYLON UL FLAMMABILITY RATING 94V-2
 COLOR: SEE TABLE
 TERMINAL: COPPER ALLOY
 - FINISH
 TERMINAL: TIN

B	VOIDS DWG. WT-CD ETC2000-0001 HEB 99/7/2
A	SEE ECN# 1137 09/08/94 RCM
LTR.	REVISIONS

CUSTOMER DRAWING

DIMENSIONS SHOWN (METRIC) INCH UNLESS OTHERWISE SPECIFIED TOLERANCES: ANGULAR ± 1/2°		REVISE ONLY ON CAD SYSTEM													
<table border="1"> <thead> <tr> <th></th> <th>INCH</th> <th>METRIC</th> </tr> </thead> <tbody> <tr> <td>3 PLACE</td> <td>± .005</td> <td>± ---</td> </tr> <tr> <td>2 PLACE</td> <td>± .01</td> <td>± 0.13</td> </tr> <tr> <td>1 PLACE</td> <td>± ---</td> <td>± 0.25</td> </tr> </tbody> </table>			INCH	METRIC	3 PLACE	± .005	± ---	2 PLACE	± .01	± 0.13	1 PLACE	± ---	± 0.25	TITLE WIRE TAP MULTIMATE	
	INCH	METRIC													
3 PLACE	± .005	± ---													
2 PLACE	± .01	± 0.13													
1 PLACE	± ---	± 0.25													
DRAFT WHERE APPLICABLE MUST REMAIN WITHIN DIMENSIONS		SHEET NO. DATE 1 OF 1 09/07/94													
DRWG. BY: RCM APP'D. BY: FP		ETC INC. PINELLAS PARK, FLA. 33701 U.S.A. PART NO. SEE TABLE DRWG. NO. SD-19216-001													
CHK'D. BY: JM SCALE: 5:1		THIS DRAWING CONTAINS INFORMATION THAT IS PROPRIETARY TO ETC INC. AND SHOULD NOT BE USED WITHOUT WRITTEN PERMISSION.													